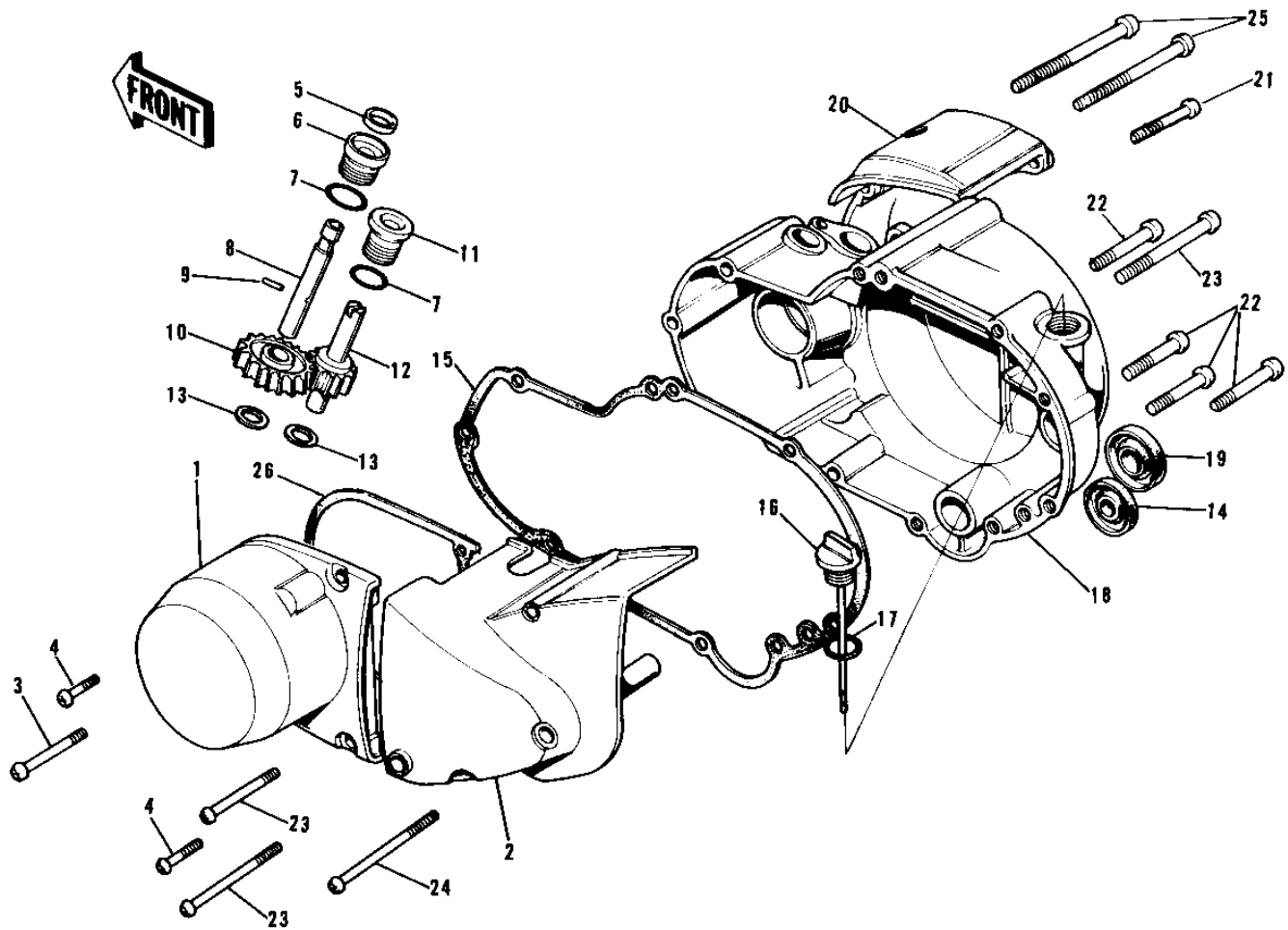


1975 H1-F PARTS DIAGRAM

ENGINE COVERS (H1-B)

Re



1042-1

(H1-B)

1975 H1-F PARTS LIST

ENGINE COVERS (H1-B)

| ITEM NAME | PART NUMBER | QUANTITY |
|----------------------------------|---------------|----------|
| COVER L.H ENGINE (Ref # 1) | 14031-030 | 1 |
| COVER,CHN CASE,BUFF (Ref # 2) | 14026-024-80 | 1 |
| COVER,CHN CASE,BUFF (Ref # 2) | 14026-024-80 | 1 |
| SCREW PAN HEAD 6X40 (Ref # 3) | 220B0640 | 1 |
| SCREW PAN HEAD 6X20 (Ref # 4) | 220B0620 | 2 |
| OIL SEAL (Ref # 5) | 92054-004 | 1 |
| BUSH (Ref # 6) | 92028-075 | 1 |
| "0" RING (Ref # 7) | 92055-025 | 2 |
| SHAFT TACHOMETER GEAR (Ref # 8) | 13226-004 | 1 |
| PIN,DOWEL (Ref # 9) | 92042-035 | 1 |
| GEAR TACHOMETER (Ref # 10) | 13224-005 | 1 |
| BUSH (Ref # 11) | 92028-074 | 1 |
| GEAR OIL PUMP (Ref # 12) | 16085-011 | 1 |
| WASHER THRUST (Ref # 13) | 92026-026 | 2 |
| OIL SEAL SB12205 (Ref # 14) | 92049-004 | 1 |
| GASKET R.H ENGINE COV (Ref # 15) | 14046-014 | 1 |
| PLUG-OIL FILLER (Ref # 16) | 16115-017 | 1 |
| PLUG-OIL FILLER (Ref # 16) | 16115-017 | 1 |
| "0" RING,20MM (Ref # 17) | 670B2020 | 1 |
| COVER-RH ENG,SILVER (Ref # 18) | 14032-071-36 | 1 |
| COVER,R.H.ENGINE (Ref # 18) | 14032-1024-80 | 1 |
| COVER,R.H.ENGINE (Ref # 18) | 14032-1024-80 | 1 |
| OIL SEAL SB16244 (Ref # 19) | 92049-002 | 1 |
| COVER,OIL PUMP,BUFF (Ref # 20) | 14030-036-80 | 1 |
| COVER,OIL PUMP,BUFF (Ref # 20) | 14030-036-80 | 1 |
| SCREW PAN HEAD 6X25 (Ref # 21) | 220B0625 | 1 |
| SCREW PAN HEAD 6X30 (Ref # 22) | 220B0630 | 7 |
| SCREW PAN HEAD 6X55 (Ref # 23) | 220B0655 | 3 |
| SCREW PAN HEAD 6X85 (Ref # 24) | 220B0685 | 1 |