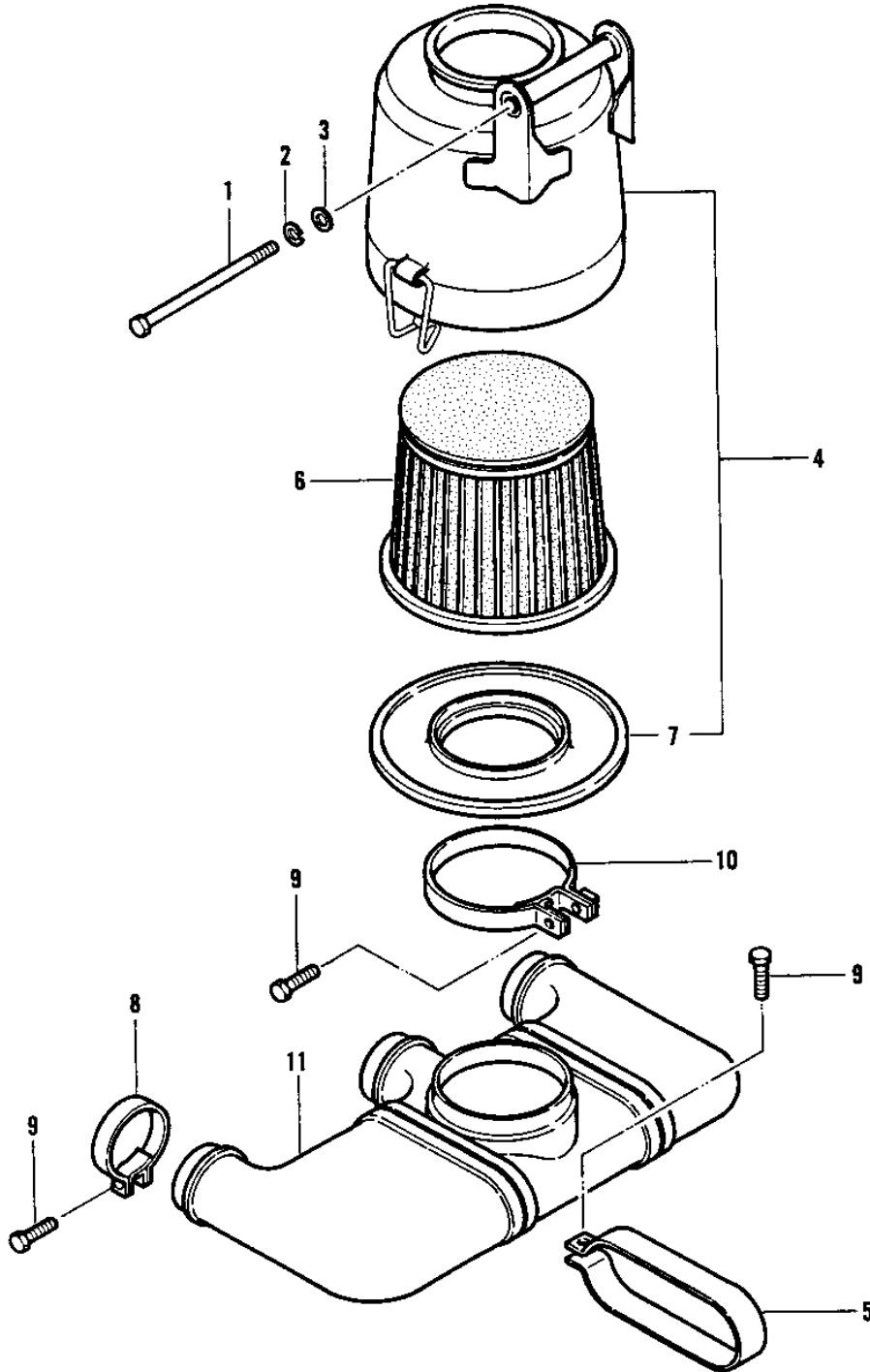


# 1976 KH500-A8 PARTS DIAGRAM

AIR CLEANER (H1/A/C)



(H)

# 1976 KH500-A8 PARTS LIST

## AIR CLEANER (H1/A/C)

ITEM NAME	PART NUMBER	QUANTITY
SCREW PAN HEAD 6X110 (Ref # 1)	220B06110	1
WASHER SPRING 6MM (Ref # 2)	461F0600	1
WASHER PLAIN 6MM (Ref # 3)	411B0600	1
AIR CLEANER ASY,BLACK (Ref # 4)	11010-058-21	1
CLAMP AIR INLET PIPE (Ref # 5)	92037-043	2
ELEMENT,AIR CLNR (Ref # 6)	11013-019	1
CAP AIR CLEANER (Ref # 7)	11012-011	1
CLAMP AIR CLEANER (Ref # 8)	92037-034	3
SCREW PAN HEAD 6X35 (Ref # 9)	220B0635	3
CLAMP,AIR CLEANER (Ref # 10)	92037-128	1
INLET PIPE (Ref # 11)	11015-014	1