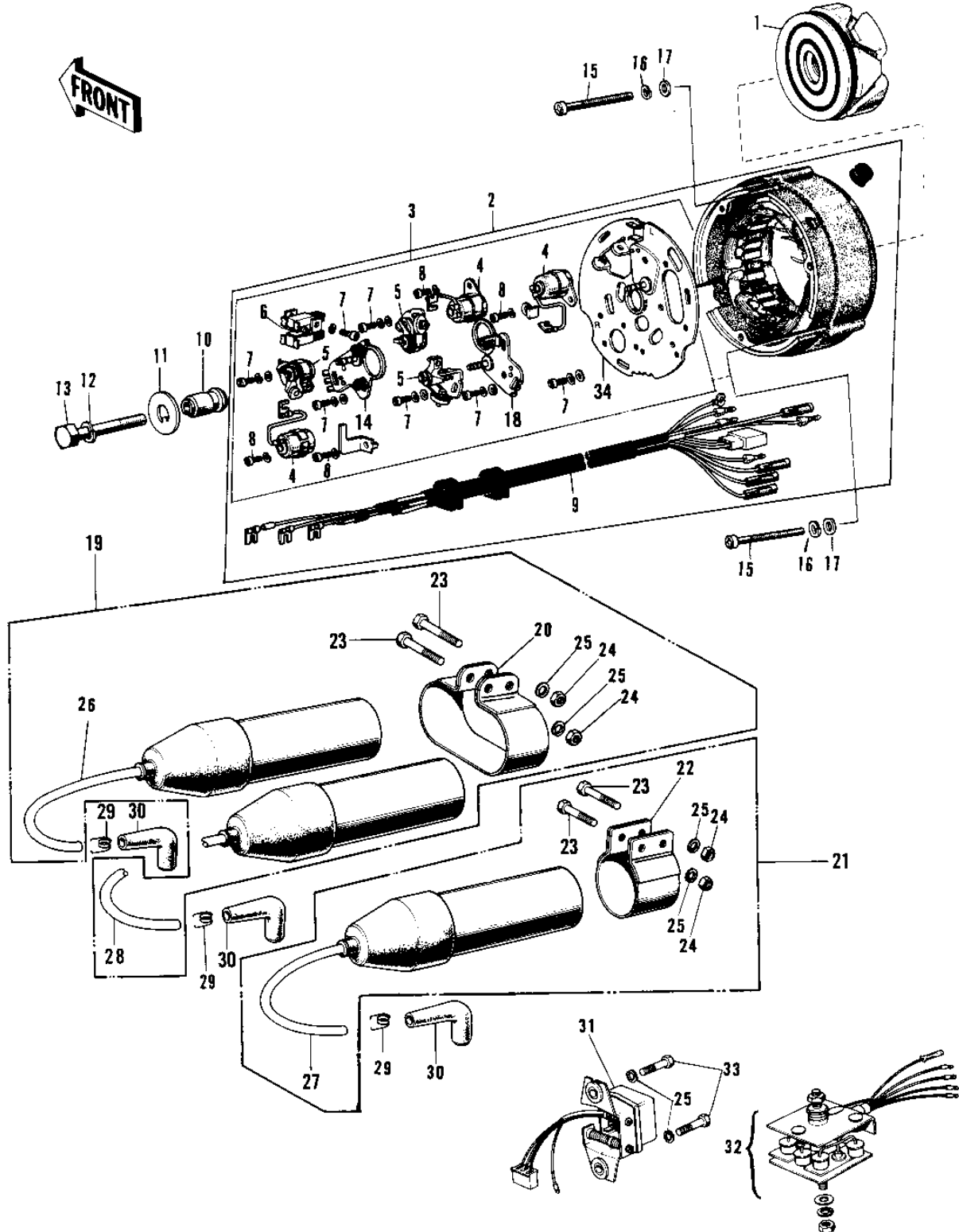


1975 H1-F PARTS DIAGRAM

IGNITION/GENERATOR/REGULATOR (H1-B)



(H1)

1975 H1-F PARTS LIST

IGNITION/GENERATOR/REGULATOR (H1-B)

ITEM NAME	PART NUMBER	QUANTITY
ROTOR (Ref # 1)	21007-016	1
YOKE ASSY (Ref # 2)	21076-012	1
BREAKER ASSY (Ref # 3)	21018-001	1
CONDENSER (Ref # 4)	21013-015	3
POINT CONTACT BREAKER (Ref # 5)	21082-007	3
BRUSH CARBON (Ref # 6)	21088-009	1
SCREW PAN HEAD 4X8 (Ref # 7)	21085-004	10
SCREW PAN HEAD 4X8 (Ref # 7)	220B0408	10
UNAVAILABLE IN PRICE BOOK (Ref # 8)	21085-005	4
SCREW PAN HEAD 4X6 (Ref # 8)	220B0406	4
WIRING HARNESS-MAG (Ref # 9)	21029-021	1
CAM-MAGNETO (Ref # 10)	21103-005	1
CAM PLATE (Ref # 11)	21106-003	1
WASHER SPRING 8MM (Ref # 12)	461F0800	1
BOLT FLANGED,8X70 (Ref # 13)	92001-1583	1
BOLT FLANGED,8X70 (Ref # 13)	92001-1583	1
PLATE,CENTER BREAKER (Ref # 14)	21156-007	1
SCREW PAN HEAD 5X55 (Ref # 15)	220B0555A	3
WASHER SPRING 5MM (Ref # 16)	461F0500	3
WASHER PLAIN 5MM (Ref # 17)	411B0500	3
PLATE,R.H BREAKER (Ref # 18)	21156-006	1
COIL-IGNITION,LH&RH (Ref # 19)	21121-054	1
CLAMP-IGNITION COIL (Ref # 20)	21126-005	1
COIL-IGNITION,CENTER (Ref # 21)	21121-055	1
CLAMP-IGNITION COIL (Ref # 22)	21126-006	1
BOLT-UPSET,6X40 (Ref # 23)	112G0640	4
NUT 6MM (Ref # 24)	311B0600	4
WASHER SPRING 6MM (Ref # 25)	461F0600	6
CORD-HIGH TENSION,LH (Ref # 26)	21133-023	1

1975 H1-F PARTS LIST

IGNITION/GENERATOR/REGULATOR (H1-B)

ITEM NAME	PART NUMBER	QUANTITY
CORD-HIGH TENSION,CNT (Ref # 27)	21133-021	1
CORD-HIGH TENSION,RH (Ref # 28)	21133-025	1
SPRING-SPARK PLUG CAP (Ref # 29)	92101-001	3
CAP SPARK PLUG (Ref # 30)	21130-009	3
REGULATOR VOLTAGE (Ref # 31)	21072-004	1
RECTIFIER (Ref # 32)	21061-008	1
BOLT-UPSET (Ref # 33)	112G0618	2
PLATE,YOKE (Ref # 34)	21155-006	1