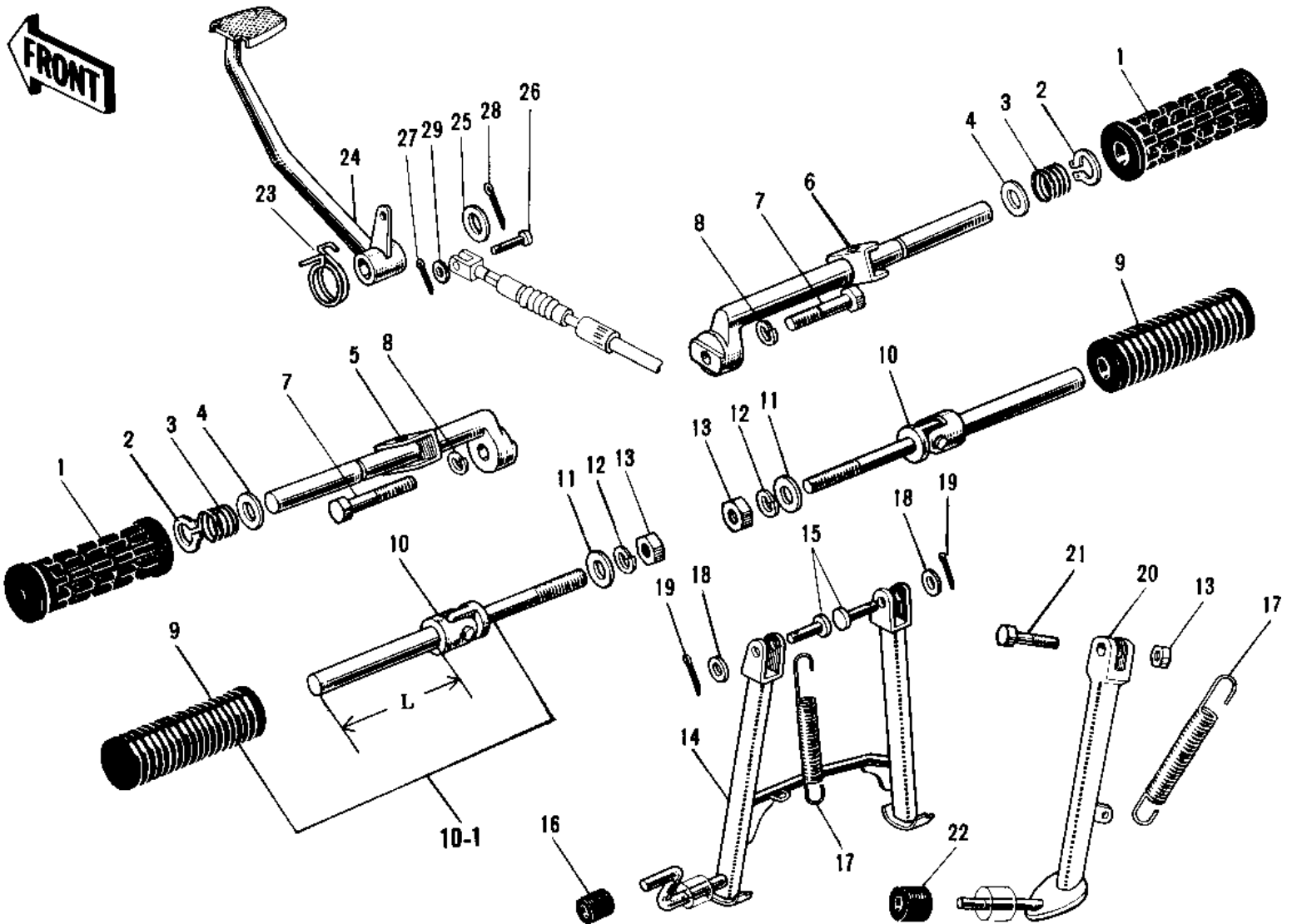


1973 H1-D PARTS DIAGRAM

FOOTRESTS/STANDS/BRAKE PEDAL ('69-'72 H1)



1973 H1-D PARTS LIST

FOOTRESTS/STANDS/BRAKE PEDAL ('69-'72 H1)

ITEM NAME	PART NUMBER	QUANTITY
RUBBER FOOTREST (Ref # 1)	92076-015	2
CIRCLIP 16MM (Ref # 2)	480J1600	2
SPRING FOOTREST PEG (Ref # 3)	34006-002	2
WASHER FOLDING PEG (Ref # 4)	92022-049	2
BAR FOOTREST L.H (Ref # 5)	34003-013	1
BAR FOOTREST R.H (Ref # 6)	34003-015	1
BOLT,HEX HEAD,12X56 (Ref # 7)	92003-165	2
WASHER SPRING 12MM (Ref # 8)	461F1200	2
RUBBER REAR FOOTREST (Ref # 9)	92076-009	2
RUBBER REAR FOOTREST (Ref # 9)	92076-008	2
BAR REAR FOOTREST (Ref # 10)	34027-012	2
FOOTREST BAR REAR (Ref # 10)	34027-013	2
BAR SET-REAR FOOTREST (Ref # 10-1)	34030-001	2
WASHER PLAIN 10MM (Ref # 11)	410B1000	2
WASHER SPRING 10MM (Ref # 12)	461F1000	2
NUT,10MM (Ref # 13)	314B1000	3
STAND-MAIN (Ref # 14)	34011-034	1
PIN JOINT (Ref # 15)	92043-041	2
DAMPER RUBB MAIN STND (Ref # 16)	92075-046	1
SPRING MAIN STAND (Ref # 17)	34023-005	2
WASHER PLAIN 12MM (Ref # 18)	410B1200	2
PIN COTTER 2.5X25 (Ref # 19)	550D2525	2
STAND-SIDE (Ref # 20)	34024-016	1
STAND-SIDE (Ref # 20)	34024-032	1
BOLT-UPSET,10X30 (Ref # 21)	112G1030	1
BOLT-SIDE STAND (Ref # 21)	92003-079	1
DAMPER RUBB SIDE STND (Ref # 22)	92075-031	1
SPRING BRAKE PEDAL (Ref # 23)	43005-011	1
PEDAL BRAKE (Ref # 24)	43001-027	1

1973 H1-D PARTS LIST

FOOTRESTS/STANDS/BRAKE PEDAL ('69-'72 H1

ITEM NAME	PART NUMBER	QUANTITY
WASHER BRAKE PEDAL (Ref # 25)	92022-085	1
PIN R BRK CABLE JOINT (Ref # 26)	92043-034	1
PIN COTTER 2.0X15 (Ref # 27)	550D2015	1
PIN COTTER 3.0X25 (Ref # 28)	550D3025	1
WASHER PLAIN 6MM (Ref # 29)	410B0600	1