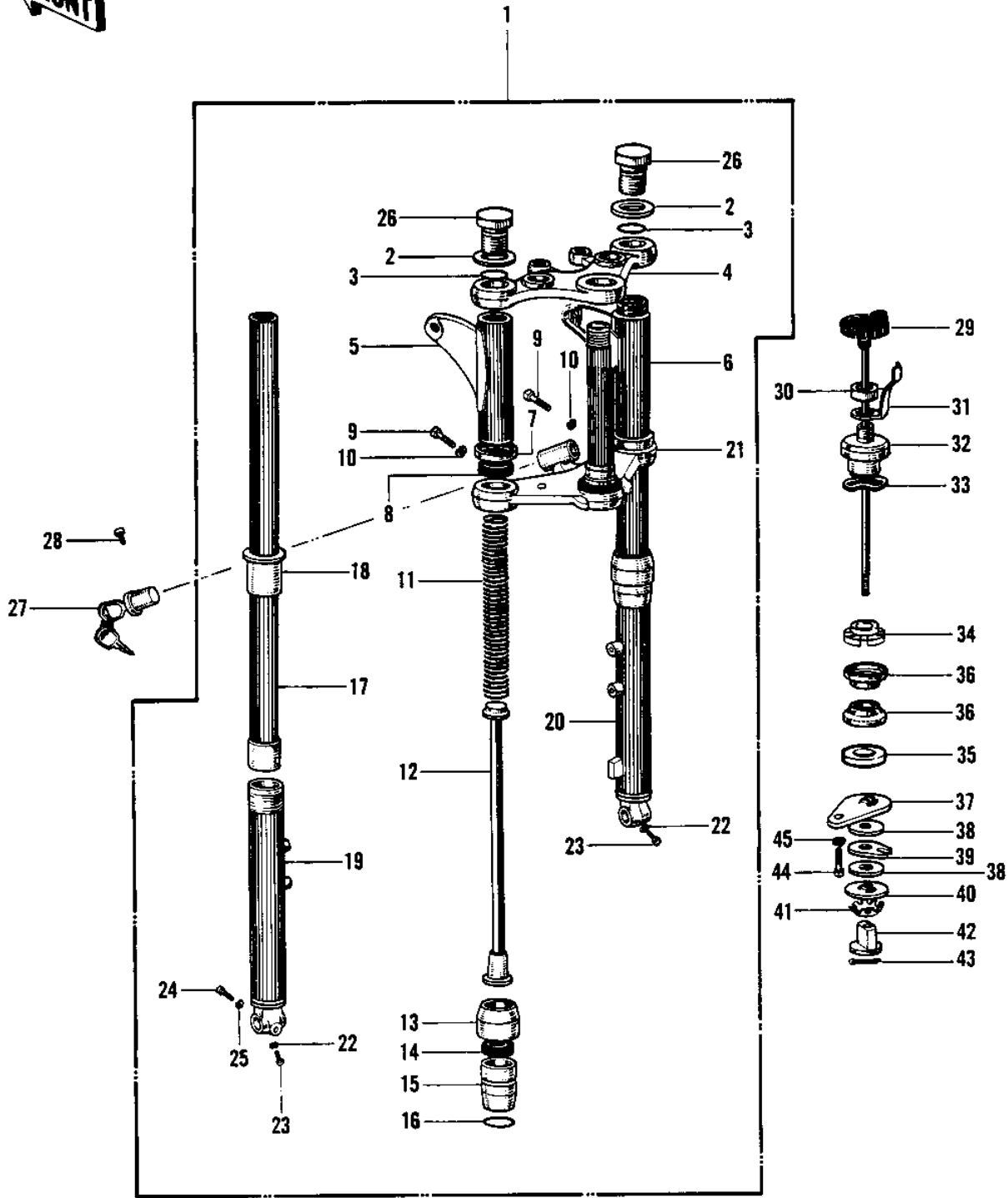


# 1975 H1-F PARTS DIAGRAM

FRONT FORK (H1/A/C)



**(H1/A)**

# 1975 H1-F PARTS LIST

## FRONT FORK (H1/A/C)

| ITEM NAME                        | PART NUMBER  | QUANTITY |
|----------------------------------|--------------|----------|
| FORK-FRONT,BLACK (Ref # 1)       | 44001-043-10 | 1        |
| WASHER FORK TOP (Ref # 2)        | 44043-033    | 2        |
| 'O' RING FORK TOP (Ref # 3)      | 44046-015    | 2        |
| HEAD STEERING STEM (Ref # 4)     | 44039-025    | 1        |
| COVER-L.H FORK,BLACK (Ref # 5)   | 44033-024-10 | 1        |
| COVER LH FORK-SILVER (Ref # 5)   | 44033-024-42 | 1        |
| COVER-R.H FORK,BLACK (Ref # 6)   | 44034-023-10 | 1        |
| COVER RH FORK-SILVER (Ref # 6)   | 44034-023-42 | 1        |
| WASHER FORK COVER (Ref # 7)      | 44043-034    | 2        |
| GASKET FORK COVER (Ref # 8)      | 44045-029    | 2        |
| BOLT,HEX HEAD 10X35 (Ref # 9)    | 92001-1252   | 2        |
| WASHER SPRING 10MM (Ref # 10)    | 461F1000     | 2        |
| SPRING FORK (Ref # 11)           | 44026-022    | 2        |
| SPRING-FORK (Ref # 11)           | 44026-031    | 2        |
| HOLDER FORK SPRING (Ref # 12)    | 44028-015    | 2        |
| DUST SHIELD (Ref # 13)           | 44010-017    | 2        |
| OIL SEAL,FORK (Ref # 14)         | 44009-020    | 2        |
| NUT FORK OUTER TUBE (Ref # 15)   | 44007-015    | 2        |
| 'O' RING OUTER TUBE (Ref # 16)   | 44046-016    | 2        |
| TUBE-FORK INNER (Ref # 17)       | 44013-025    | 2        |
| GUIDE FORK INNER TUBE (Ref # 18) | 44015-011    | 2        |
| TUBE,LH,FORK OUTER (Ref # 19)    | 44005-020    | 1        |
| TUBE,RH,FORK OUTER (Ref # 20)    | 44006-019    | 1        |
| STEM STEERING (Ref # 21)         | 44037-024    | 1        |
| GASKET FORK DRAIN PLG (Ref # 22) | 44045-002    | 2        |
| SCREW PAN HEAD 4X8 (Ref # 23)    | 220B0408     | 2        |
| BOLT-SMALL-UPSET (Ref # 24)      | 115B0832     | 1        |
| WASHER SPRING 8MM (Ref # 25)     | 461F0800     | 1        |
| BOLT FORK TOP (Ref # 26)         | 44041-021    | 2        |

## 1975 H1-F PARTS LIST

### FRONT FORK (H1/A/C)

| ITEM NAME                        | PART NUMBER | QUANTITY |
|----------------------------------|-------------|----------|
| LOCK ASSY STEERING (Ref # 27)    | 27016-017   | 1        |
| SCREW RIVET (Ref # 28)           | 92099-001   | 1        |
| KNOB STEERING DAMPER (Ref # 29)  | 46101-004   | 1        |
| NUT 12MM (Ref # 30)              | 315N1200A   | 1        |
| SPRING STRG DAMP KNOB (Ref # 31) | 46126-001   | 1        |
| NUT STEERING STEM (Ref # 32)     | 92090-015   | 1        |
| WASHER STEERING STEM (Ref # 33)  | 46100-001   | 1        |
| NUT STEERING STEM LCK (Ref # 34) | 92090-007   | 1        |
| CAP, STEERING STEM (Ref # 35)    | 46098-016   | 1        |
| CONE STRNG STEM BERNG (Ref # 36) | 92047-006   | 2        |
| PLATE STRG DAMP STEEL (Ref # 37) | 46106-005   | 1        |
| PLATE STRG DAMP FRCTN (Ref # 38) | 46104-005   | 2        |
| PLATE STRG DAMP ANCHR (Ref # 39) | 46105-005   | 1        |
| PLATE STRG DAMP STEEL (Ref # 40) | 46106-006   | 1        |
| SPRING-STEERING DAMP (Ref # 41)  | 46124-006   | 1        |
| NUT STRG DAMPER GUIDE (Ref # 42) | 46125-005   | 1        |
| PIN COTTER 1.6X15 (Ref # 43)     | 550D1615    | 1        |
| BOLT SMALL (Ref # 44)            | 114G0812    | 1        |
| WASHER SPRING 8MM (Ref # 45)     | 461F0800    | 1        |