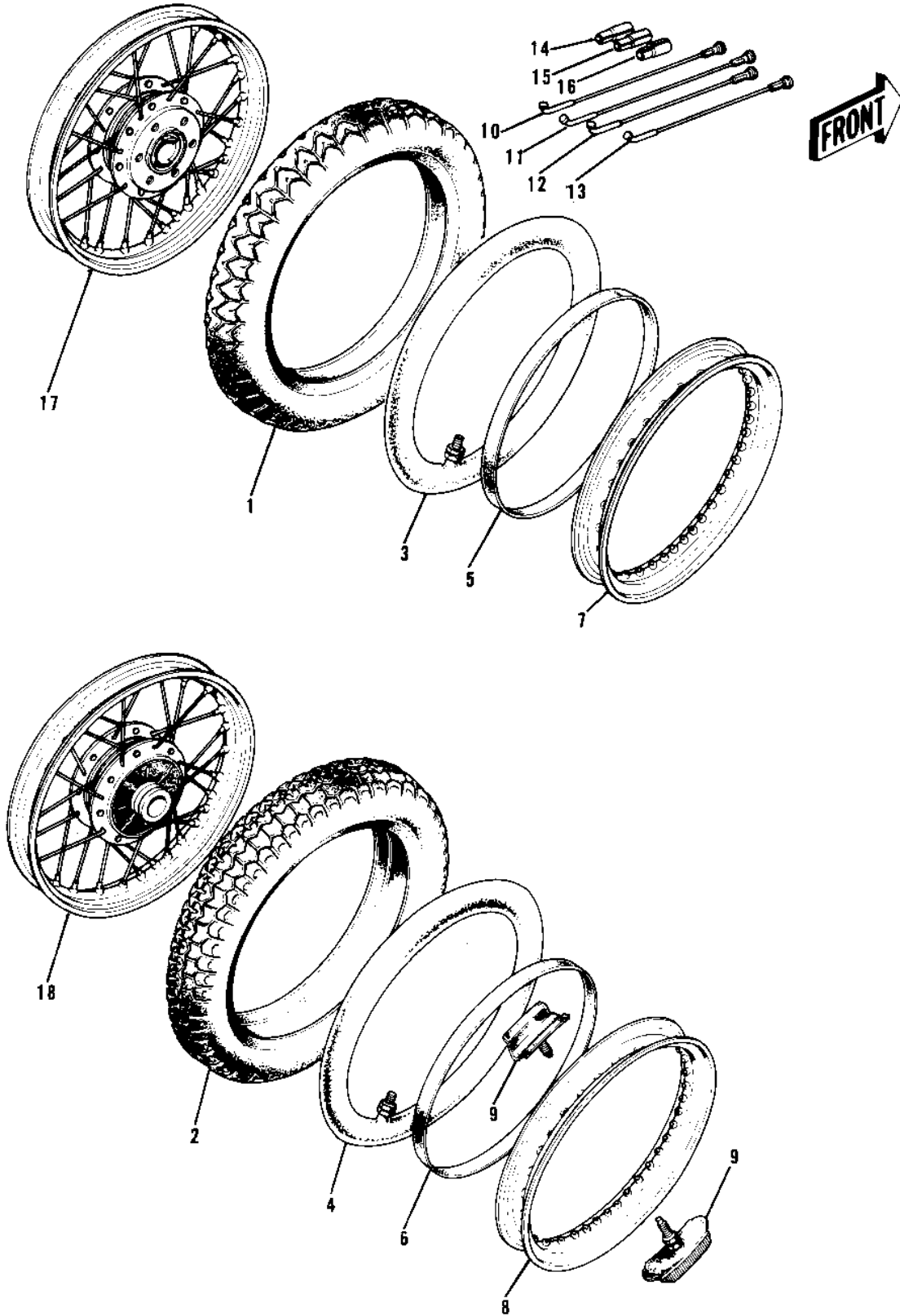


1973 H1-D PARTS DIAGRAM

WHEELS/TIRES ('69-72 H1/A/B/C)



1973 H1-D PARTS LIST

WHEELS/TIRES ('69-72 H1/A/B/C)

| ITEM NAME | PART NUMBER | QUANTITY |
|-------------------------------------|-------------|----------|
| UNAVAILABLE IN PRICE BOOK (Ref # 1) | 41020-004 | 1 |
| TIRE 325H-19 F6B F (Ref # 1) | 41021-038 | 1 |
| UNAVAILABLE IN PRICE BOOK (Ref # 2) | 41021-011 | 1 |
| TIRE 400H-18 K87 R (Ref # 2) | 41021-039 | 1 |
| *** N.L.A.*** (Canada) (Ref # 3) | 41022-030 | 1 |
| TUBE,3.0/3.25/3.60-19 (Ref # 3) | 41022-1019 | 1 |
| TUBE 350/375/410-18 (Ref # 4) | 41022-031 | 1 |
| BAND RIM (Ref # 5) | 41023-015 | 1 |
| BAND,RIM,4.00/5.10-18 (Ref # 6) | 41023-1006 | 1 |
| RIM 1.85BX19W (Ref # 7) | 41025-056 | 1 |
| RIM,1.8BX19W (Ref # 7) | 41025-051 | 1 |
| RIM-2-15BX18W (Ref # 8) | 41025-058 | 1 |
| PROTECTOR-BEAD 1.85B (Ref # 9) | 41024-007 | 2 |
| SPOKE-ASY,FR INNER (Ref # 10) | 41027-044 | 20 |
| SPOKE-ASY,FR INNER (Ref # 10) | 41027-042 | 20 |
| SPOKE-ASY,FR OUTER (Ref # 11) | 41028-043 | 20 |
| SPOKE-ASY,FR OUTER (Ref # 11) | 41028-041 | 20 |
| SPOKE-ASY,RR INNER (Ref # 12) | 41027-047 | 20 |
| SPOKE-ASY,RR OUTER (Ref # 13) | 41028-046 | 20 |
| WEIGHT,BALANCE,10G (Ref # 14) | 41075-1007 | AR |
| WEIGHT,BALANCE,20G (Ref # 15) | 41075-1008 | AR |
| WEIGHT,BALANCE,30G (Ref # 16) | 41075-1009 | AR |
| WHEEL ASSY FRONT (Ref # 17) | 41074-006 | 1 |
| WHEEL ASSY-FRONT (Ref # 17) | 41074-022 | 1 |
| WHEEL ASSY REAR (Ref # 18) | 42048-008 | 1 |
| WHEEL ASSY,REAR (Ref # 18) | 42048-021 | 1 |