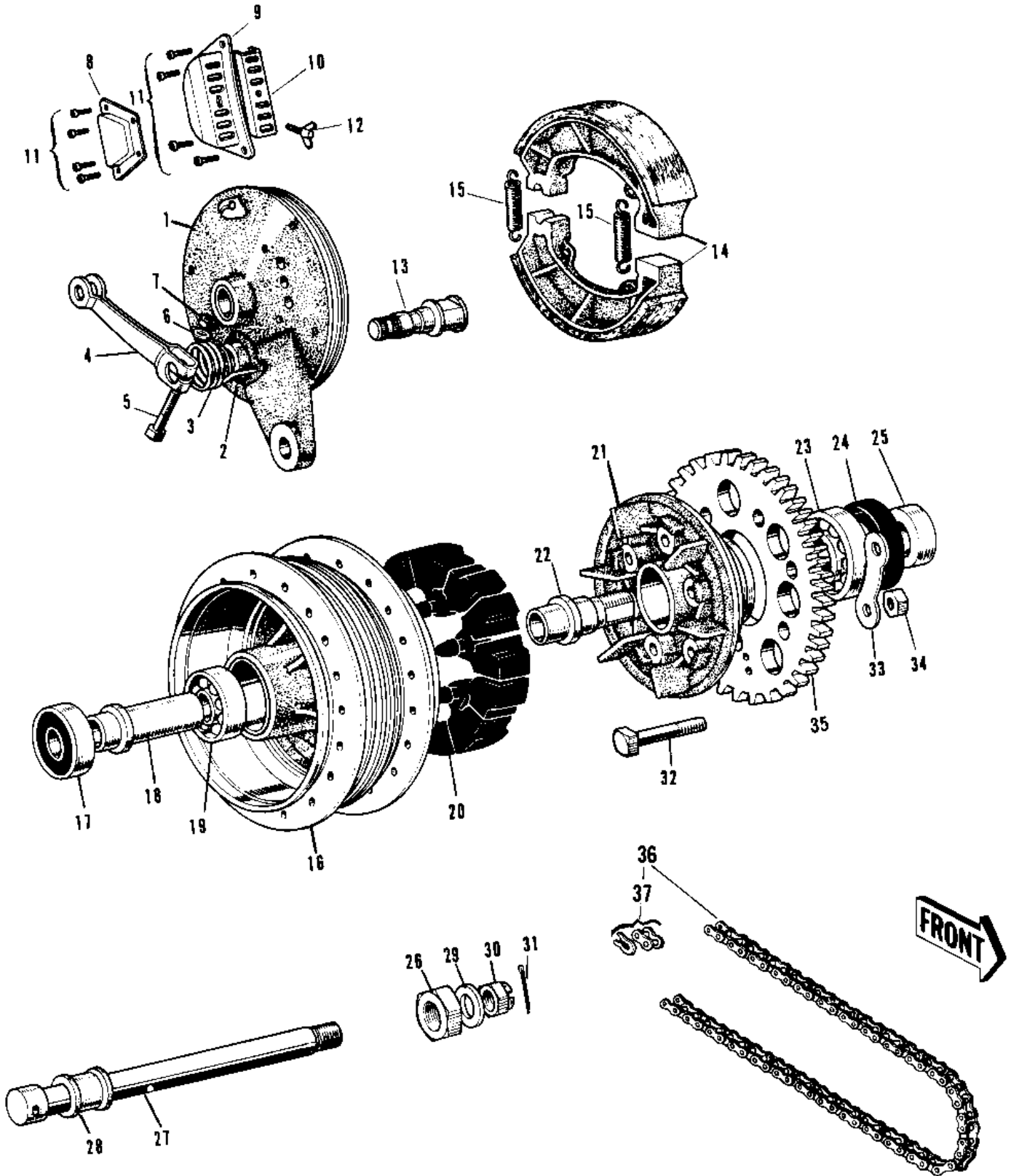


# 1969 Mach III PARTS DIAGRAM

REAR HUB/BRAKE/CHAIN ('69-'72 H1/A/B/C)



# 1969 Mach III PARTS LIST

REAR HUB/BRAKE/CHAIN ('69-'72 H1/A/B/C)

ITEM NAME	PART NUMBER	QUANTITY
PANEL-ASY,RR BRK,F.B. (Ref # 1)	42006-013-21	1
PANEL-ASY,RR BRK,F.B. (Ref # 1)	42006-013-21	1
DUST SHIELD BRAKE CAM (Ref # 2)	41051-001	1
SPRING BRAKE CAM LEV (Ref # 3)	41056-003	1
LEVER,REAR BRAKE CAM (Ref # 4)	42029-037	1
LEVER,REAR BRAKE CAM (Ref # 4)	42029-037	1
BOLT-UPSET,6X40 (Ref # 5)	112G0640	1
WASHER PLAIN 6MM (Ref # 6)	411B0600	1
NUT 6MM (Ref # 7)	311B0600	1
OUTLET-VENTILATOR (Ref # 8)	42023-002	1
INNLET-VENTILATOR (Ref # 9)	42022-002	1
SHUTTER AIR (Ref # 10)	42024-001	1
SCREW,4X6 (Ref # 11)	220E0406A	8
BOLT 3X10 WING (Ref # 12)	92001-062	1
CAM SHAFT REAR BRAKE (Ref # 13)	42026-009	1
SHOE,BRAKE (Ref # 14)	42019-007	2
SPRING BRAKE SHOE (Ref # 15)	42020-003	2
DRUM ASSY,RR BK,BUFF (Ref # 16)	42005-015-80	1
BEARING BALL #6205Z (Ref # 17)	601B6205Z	1
SPACER RR HUB BEARING (Ref # 18)	42010-014	1
BEARING BALL #6303Z (Ref # 19)	601B6303Z	1
DAMPER REAR HUB SHOCK (Ref # 20)	42014-014	1
COUPLING ASSY RR HUB (Ref # 21)	42008-005	1
SLEEVE RR HUB COUPLNG (Ref # 22)	42036-011	1
BEARING BALL #6305 (Ref # 23)	601B6305	1
OIL SEAL (Ref # 24)	92050-027	1
COLLAR SLEEVE (Ref # 25)	42037-017	1
NUT SLEEVE (Ref # 26)	42045-006	1
AXLE-REAR (Ref # 27)	42031-038	1

# 1969 Mach III PARTS LIST

REAR HUB/BRAKE/CHAIN ('69-'72 H1/A/B/C)

ITEM NAME	PART NUMBER	QUANTITY
AXLE-REAR (Ref # 27)	42031-038	1
COLLAR REAR AXLE (Ref # 28)	42032-017	1
WASHER L.H SLEEVE (Ref # 29)	42046-010	1
NUT CASTLE 16M/M (Ref # 30)	42045-014	1
NUT CASTLE 16M/M (Ref # 30)	42045-014	AL
PIN COTTER 4.0X30 (Ref # 31)	550D4030	1
BOLT-REAR SPROCKET (Ref # 32)	92003-087	6
WASHER LOCK (Ref # 33)	92088-007	3
NUT 10MM (Ref # 34)	42045-005	6
REAR SPROCKET 45T (Ref # 35)	42041-046	1
RR SPROCKET 43T (OPT) (Ref # 35)	42041-047	(1
RR SPROCKET 47T (OPT) (Ref # 35)	42041-077	(1
DR CHAIN 530X102L (Ref # 36)	92057-010	1
CHAIN JOINT 530 (Ref # 37)	92058-015	1