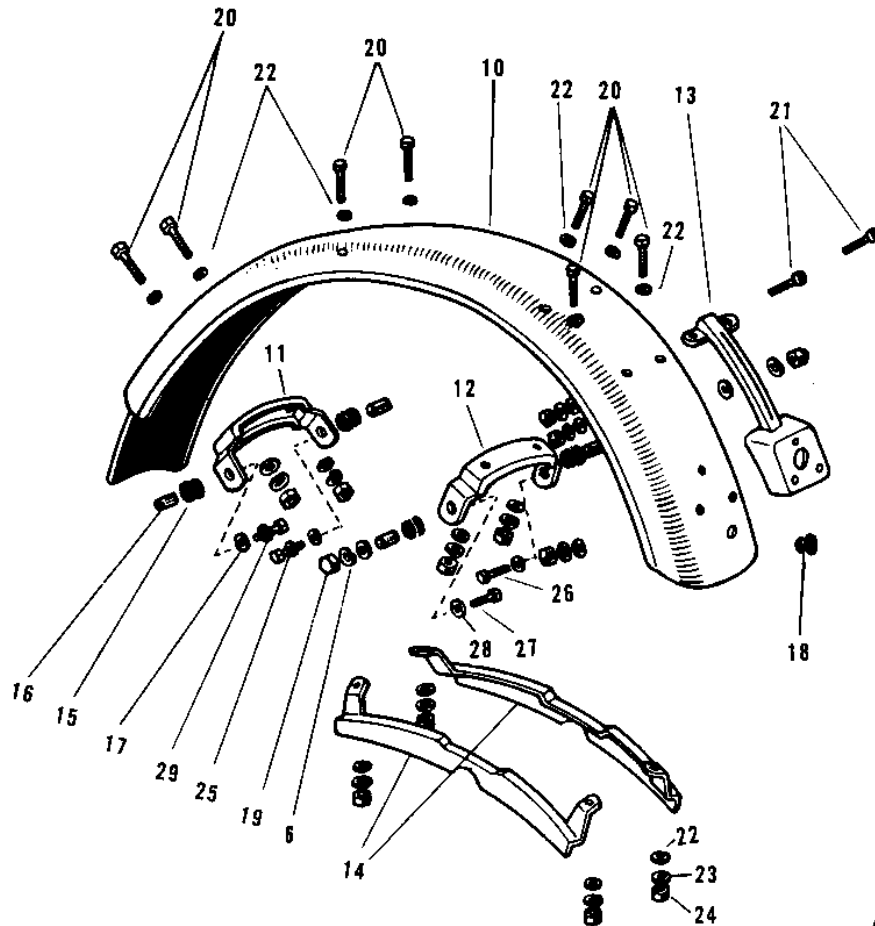
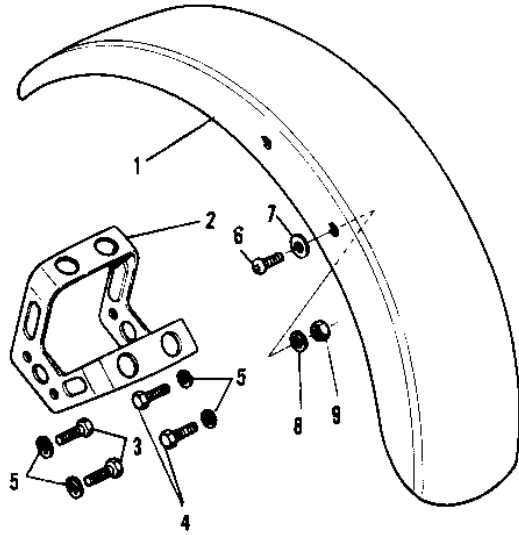


1970 Mach III PARTS DIAGRAM

FENDERS (H1-B)



(H1-

1970 Mach III PARTS LIST

FENDERS (H1-B)

ITEM NAME	PART NUMBER	QUANTITY
FENDER-FR,P.C.ORANGE (Ref # 1)	35004-060-67	1
BRACE-FRONT FENDER (Ref # 2)	35009-018	1
BOLT-SMALL-UPSET,8X16 (Ref # 3)	115G0816	2
BOLT-SMALL-UPSET,8X14 (Ref # 4)	115B0814	2
WASHER SPRING 8MM (Ref # 5)	461F0800	4
SCREW PAN HEAD 6X14 (Ref # 6)	220E0614	4
WASHER-PLAIN (Ref # 7)	92022-193	4
WASHER PLAIN 6MM (Ref # 8)	411B0600	4
NUT (Ref # 9)	92019-008	4
FENDER-RR,P.C.ORANGE (Ref # 10)	35022-060-67	1
BRACKET REAR FENDER (Ref # 11)	35025-009	1
BRACKET REAR FENDER (Ref # 12)	35025-010	1
STAY-TAIL LAMP,P.C.O. (Ref # 13)	35031-004-67	1
STAY-RR FENDER,P.C.O. (Ref # 14)	35034-007-67	2
DAMPER RUBB TANK FRNT (Ref # 15)	92075-019	4
SPACER FUEL TANK MONT (Ref # 16)	51065-001	4
WASHER,8X26X2.3 (Ref # 17)	92022-1564	4
PLUG RUBBER (Ref # 18)	92074-005	1
NUT FUEL TANK FRONT (Ref # 19)	92020-007	2
BOLT-UPSET,6X12 (Ref # 20)	112G0612	8
SCREW PAN HEAD 6X12 (Ref # 21)	220B0612	2
WASHER PLAIN 6MM (Ref # 22)	411B0600	21
WASHER SPRING 6MM (Ref # 23)	461F0600	13
NUT 6MM (Ref # 24)	311B0600	13
BOLT-SMALL-UPSET,8X22 (Ref # 25)	115B0822	2
BOLT,8X55 (Ref # 26)	92001-1386	1
BOLT,8X55 (Ref # 26)	92001-1386	1
BOLT,10X45 (Ref # 27)	92001-1182	1
BOLT,10X45 (Ref # 27)	92001-1182	1