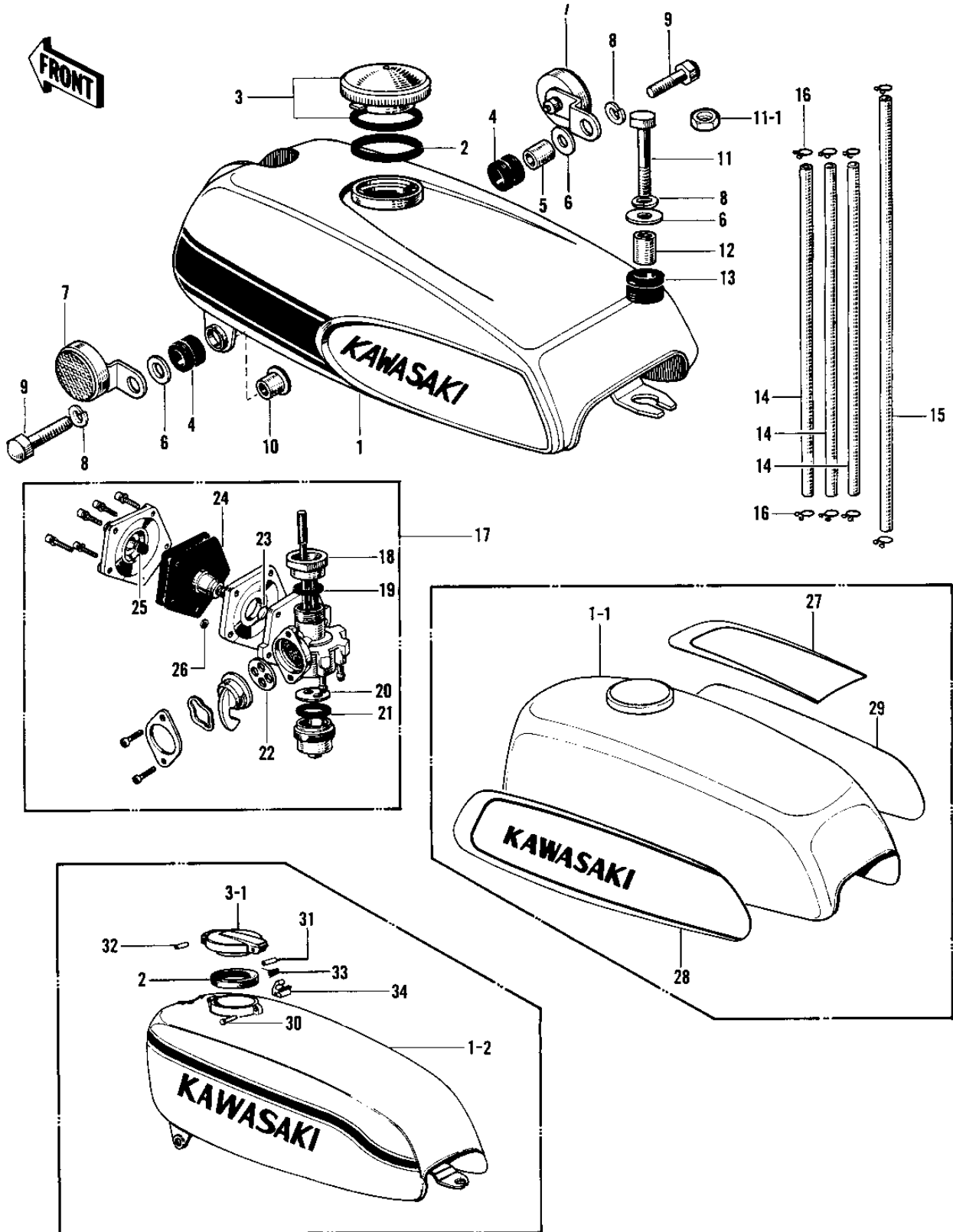


1972 H1-C PARTS DIAGRAM

FUEL TANK (69-72 H1/A/B/C)



1972 H1-C PARTS LIST

FUEL TANK ('69-72 H1/A/B/C)

ITEM NAME	PART NUMBER	QUANTITY
TANK FUEL WHITE (Ref # 1)	51001-047-19	1
TANK ASY,FUEL,WHITE (Ref # 1)	51002-014-19	1
TANK-FUEL,C.RED (Ref # 1)	51001-066-24	1
TANK ASY,FUEL,C.RED (Ref # 1)	51002-014-24	1
TANK-FUEL,P.GRAY (Ref # 1)	51001-066-47	1
TANK ASY,FUEL,P.GRAY (Ref # 1)	51002-014-47	1
TANK-FUEL,C.BLUE (Ref # 1-1)	51001-066-58	1
TANK ASY,FUEL,C.BLUE (Ref # 1-1)	51002-014-KK	1
TANK-FUEL,P.C.ORANGE (Ref # 1-2)	51001-074-67	1
GASKET-FUEL TANK CAP (Ref # 2)	51059-007	1
GASKET-FUEL TANK CAP (Ref # 2)	51059-008	1
CAP FUEL TANK (Ref # 3)	51049-008	1
CAP-FUEL TANK (Ref # 3-1)	51051-004	1
DAMPER RUBB TANK FRNT (Ref # 4)	92075-013	2
SPACER FUEL TANK MONT (Ref # 5)	92027-012	1
WASHER,8X26X2.3 (Ref # 6)	92022-1564	3
REFLECTOR REFLEX (Ref # 7)	28001-004	2
WASHER SPRING 8MM (Ref # 8)	461F0800	3
BOLT 8X38 (Ref # 9)	92001-1405	2
BOLT 8X38 (Ref # 9)	92001-1405	2
COLLAR,FUEL TANK FITT (Ref # 10)	92027-1134	1
BOLT-SMALL-UPSET (Ref # 11)	115B0832	1
NUT,8MM (Ref # 11-1)	311B0800	1
SPACER FUEL TANK REAR (Ref # 12)	92027-034	1
DAMPER RUBB TANK REAR (Ref # 13)	92075-030	1
PIPE FUEL TANK CONECT (Ref # 14)	51047-001	3
PIPE OIL TANK (Ref # 15)	92059-008	1
CLAMP FUEL PIPE (Ref # 16)	92037-010	8
COCK ASSY,FUEL (Ref # 17)	51023-040	1

1972 H1-C PARTS LIST

FUEL TANK ('69-72 H1/A/B/C)

ITEM NAME	PART NUMBER	QUANTITY
COCK ASSY,FUEL (Ref # 17)	51023-040	AL
NUT FUEL COCK JOINT (Ref # 18)	51035-005	1
GASKET FUEL COCK JONT (Ref # 19)	92065-054	1
STRAINER FUEL (Ref # 20)	51038-005	1
GASKET FUEL COCK CUP (Ref # 21)	51037-007	1
GASKET FUEL COCK LEV (Ref # 22)	92065-055	1
"O" RING (Ref # 23)	92055-044	1
DIAPHRAGM ASSY (Ref # 24)	51069-001	1
SPRING DIAPHRAGM (Ref # 25)	92081-048	1
GASKET (Ref # 26)	92065-052	1
EMBLEM-FUEL TANK,TOP (Ref # 27)	56018-040	1
EMBLEM-FUEL TANK,L.H (Ref # 28)	56018-041	1
EMBLEM-FUEL TANK,R.H (Ref # 29)	56018-042	1
PIN-HOOK (Ref # 30)	92043-072	1
PIN-TANK CAP STOPPER (Ref # 31)	92043-073	1
PIN-TANK CAP FIT (Ref # 32)	92043-074	1
SPRING-HOOK (Ref # 33)	51053-003	1
HOOK (Ref # 34)	51063-001	1