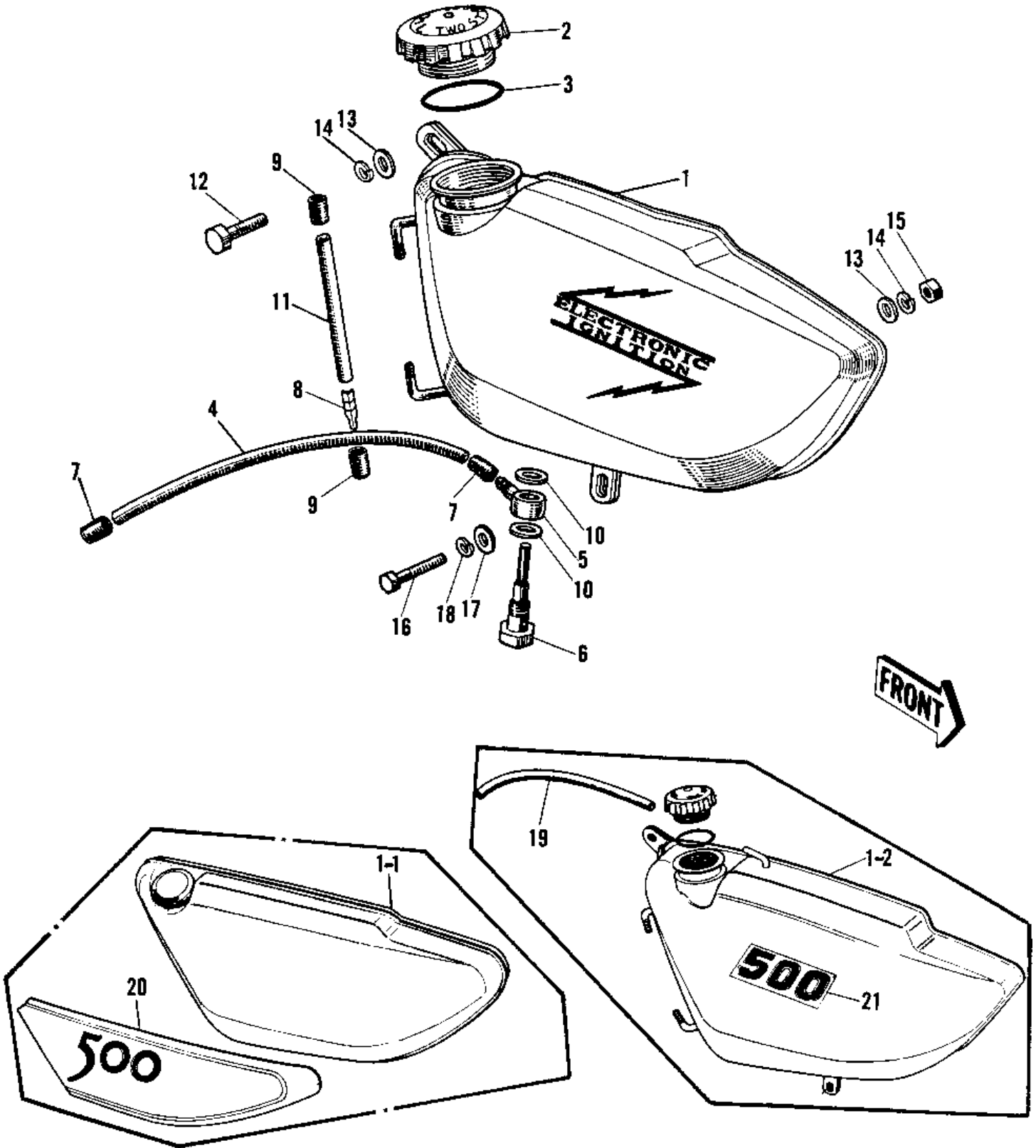


1976 KH500-A8 PARTS DIAGRAM

OIL TANK ('69-'72 H1/A/B/C)



1976 KH500-A8 PARTS LIST

OIL TANK ('69-'72 H1/A/B/C)

ITEM NAME	PART NUMBER	QUANTITY
TANK OIL WHITE (Ref # 1)	52001-015-19	1
TANK-OIL,C.RED (Ref # 1)	52001-028-24	1
TANK-OIL,C.RED (Ref # 1)	52001-028-24	1
TANK-OIL,P.GRAY (Ref # 1)	52001-028-47	1
TANK-OIL,C.BLUE (Ref # 1-1)	52001-015-58	1
TANK-OIL,P.C.ORANGE (Ref # 1-2)	52001-028-67	1
CAP OIL TANK (Ref # 2)	52003-009	1
CAP OIL TANK (Ref # 2)	52003-009	1
"0" RING,36MM (Ref # 3)	670B3036	1
PIPE OIL TANK (Ref # 4)	92059-021	1
CONNECTOR BANJO (Ref # 5)	92061-003	1
BOLT OIL TANK BANJO (Ref # 6)	92060-001	1
SPRING PIPE CLAMP B (Ref # 7)	92081-027	2
GAUGE OIL LEVEL (Ref # 8)	52005-004	1
CLAMP OIL LEVEL PIPE (Ref # 9)	92037-040	2
GASKET,10,2X15X1.5T (Ref # 10)	11009-1146	2
GASKET,10,2X15X1.5T (Ref # 10)	11009-1146	2
TUBE-VINYL 6X95 (Ref # 11)	700Q0695	2
BOLT-SMALL-UPSET,8X18 (Ref # 12)	115G0818	1
WASHER PLAIN 8MM (Ref # 13)	411B0800	2
WASHER SPRING 8MM (Ref # 14)	461F0800	2
NUT,8MM (Ref # 15)	311B0800	1
BOLT-UPSET (Ref # 16)	112G0660	1
WASHER PLAIN 6MM (Ref # 17)	411B0600	1
WASHER SPRING 6MM (Ref # 18)	461F0600	1
TUBE-VINYL 5X470 (Ref # 19)	700Q05470	1
EMBLEM-OIL TANK (Ref # 20)	56018-037	1
EMBLEM-SIDE COVER (Ref # 21)	56018-098	1