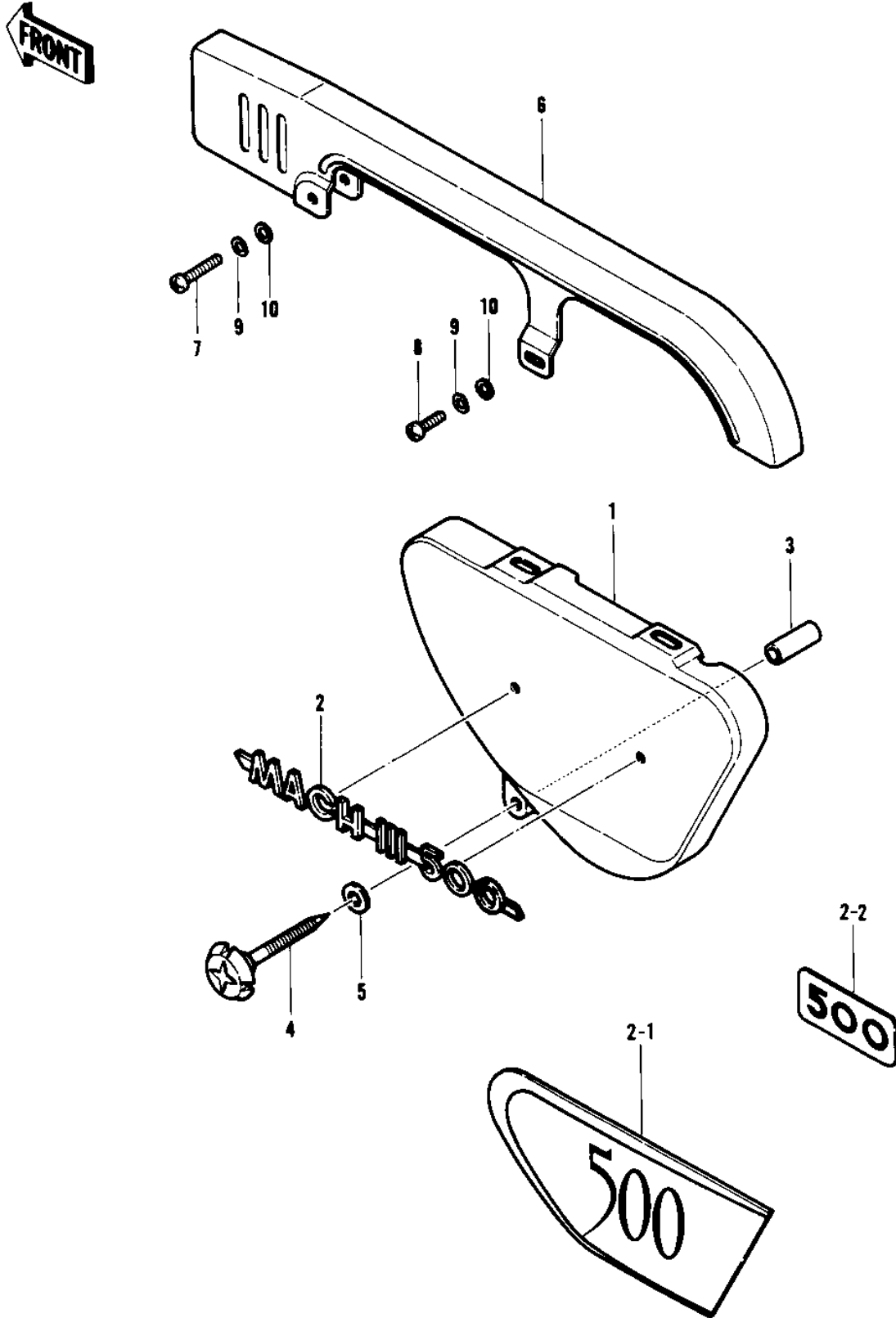


# 1971 H1-B PARTS DIAGRAM

SIDE COVER/CHAIN COVER ('69-'72 H1/A/B/C)



## 1971 H1-B PARTS LIST

SIDE COVER/CHAIN COVER ('69-'72 H1/A/B/C)

ITEM NAME	PART NUMBER	QUANTITY
COVER L.H SIDE WHITE (Ref # 1)	36001-025-19	1
COVER L.H SIDE P.GRAY (Ref # 1)	36001-025-47	1
COVER L.H SIDE P.GRAY (Ref # 1)	36001-025-47	1
COVER-LH SIDE,C.BLUE (Ref # 1)	36001-034-58	1
COVER-L.H SIDE,P.C.O. (Ref # 1)	36001-034-67	1
EMBLEM SIDE COVER WHITE (Ref # 2)	56018-021	1
EMBLEM SIDE COVER BLACK (Ref # 2)	56018-025	1
EMBLEM-SIDE COVER BLUE (Ref # 2-1)	56018-038	1
EMBLEM-OIL TANK (Ref # 2-2)	56018-099	1
RUBBER SIDE COV KNOB (Ref # 3)	92094-001	1
KNOB L.H SIDE COVER (Ref # 4)	92077-016	1
WASHER PLAIN 6MM (Ref # 5)	410B0600	1
CASE-CHAIN (Ref # 6)	36014-042	1
CASE-CHAIN (Ref # 6)	36014-042	1
SCREW PAN HEAD 6X55 (Ref # 7)	220E0655	1
SCREW PAN HEAD 6X50 (Ref # 7)	220E0650	1
SCREW PAN HEAD 6X12 (Ref # 8)	220E0612	1
WASHER SPRING 6MM (Ref # 9)	461F0600	2
WASHER PLAIN 6MM (Ref # 10)	411B0600	2