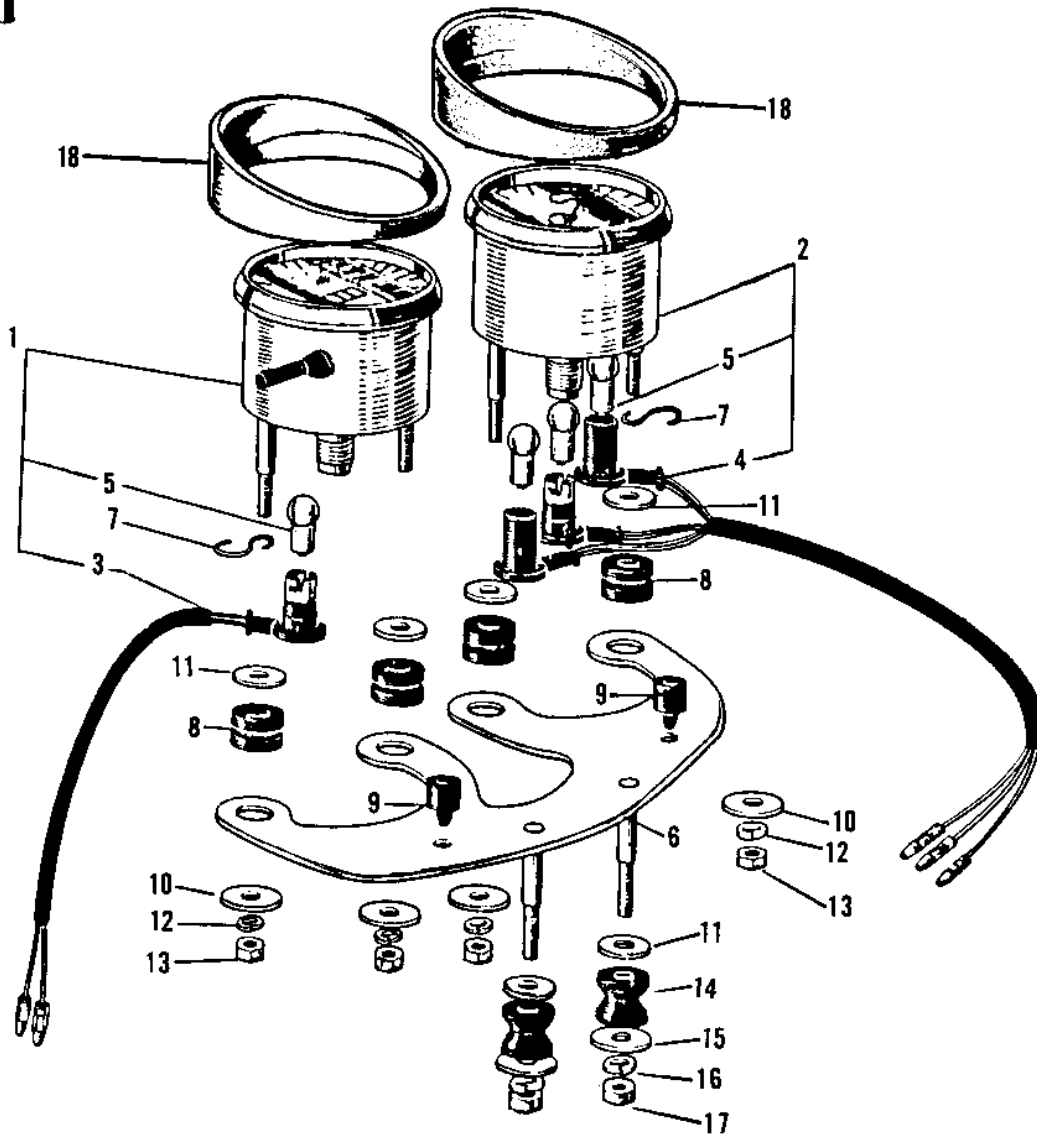


# 1969 Mach III PARTS DIAGRAM

METERS (H1/A/C)



**(H1/A)**

# 1969 Mach III PARTS LIST

METERS (H1/A/C)

ITEM NAME	PART NUMBER	QUANTITY
SPEEDOMETER ASSY MPH (Ref # 1)	25005-027	1
TACHOMETER ASSY (Ref # 2)	25015-006	1
SOCKET SPEEDOMETER (Ref # 3)	25011-003	1
SOCKET TACHOMETER (Ref # 4)	25011-011	1
BULB 12V 3W (Ref # 5)	92069-018	4
BRACKET SPEEDOMETER (Ref # 6)	25008-009	1
CLAMP CABLE (Ref # 7)	25022-002	2
DAMPER RUBB SPEEDMETR (Ref # 8)	92075-034	4
DAMPER RUBB SPEEDMETR (Ref # 9)	92075-035	2
WASHER PL 5.5X20X1.2 (Ref # 10)	92022-104	4
WASHER PLAIN 8MM (Ref # 11)	411B0800	6
WASHER SPRING 5MM (Ref # 12)	461F0500	4
NUT,5MM (Ref # 13)	311B0500	4
DAMPER RUBB SPEEDMETR (Ref # 14)	92075-024	2
WASHER 6.5X20X1.6T (Ref # 15)	92022-125	2
WASHER SPRING 6MM (Ref # 16)	461F0600	2
NUT 6MM (Ref # 17)	311B0600	2
COVER-SPEEDOMETER (Ref # 18)	25012-003	2