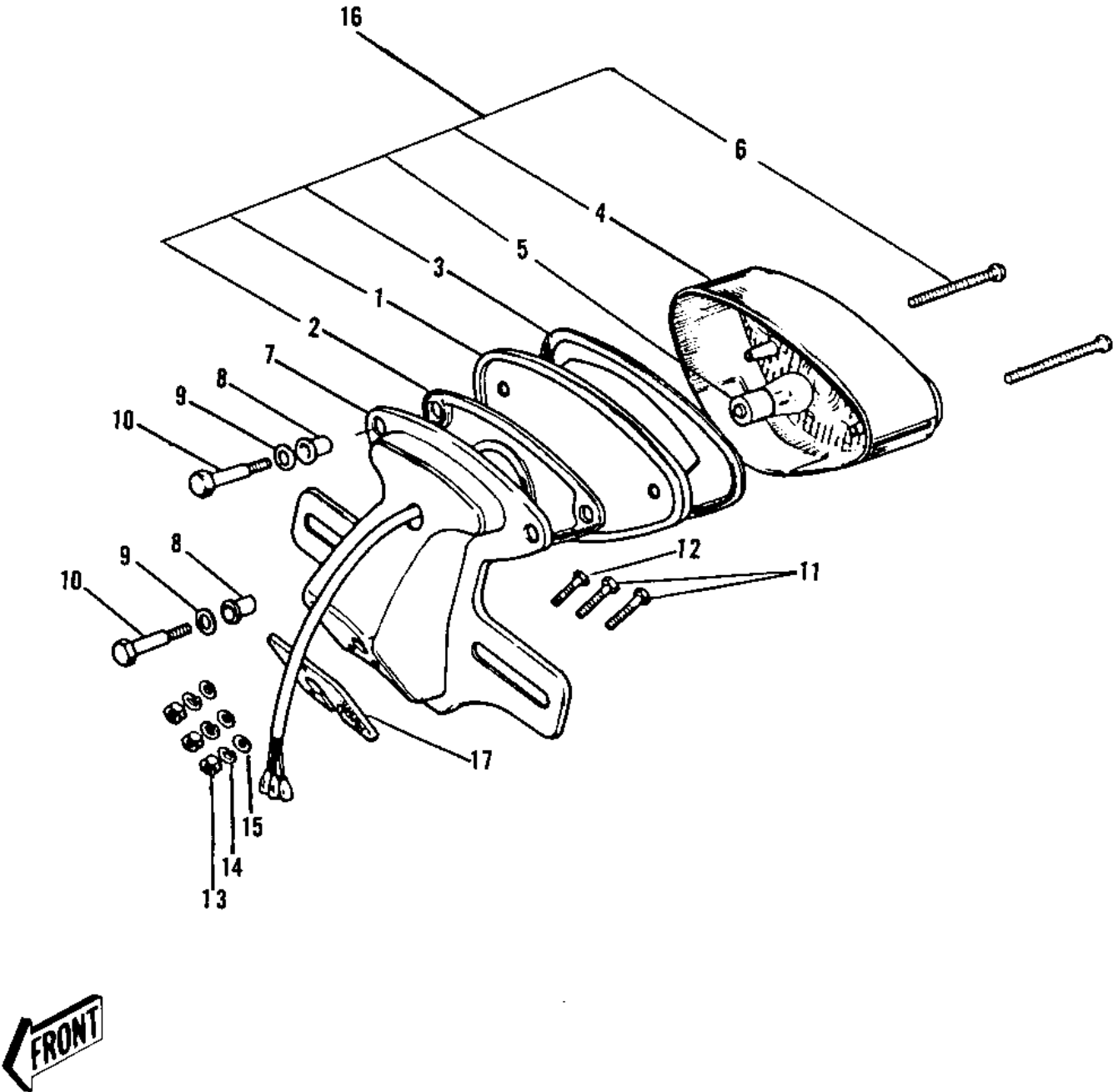


1976 KH500-A8 PARTS DIAGRAM

TAILLIGHT (H1-B/C)



(H1-B)

1976 KH500-A8 PARTS LIST

TAILLIGHT (H1-B/C)

ITEM NAME	PART NUMBER	QUANTITY
CASE-TAIL LAMP (Ref # 1)	23027-029	1
CASE-TAIL LAMP (Ref # 1)	23027-029	1
GASKET-TAIL LAMP CASE (Ref # 2)	23028-015	1
GASKET-TAIL LAMP LENS (Ref # 3)	23028-016	1
LENS-TAIL LAMP (Ref # 4)	23026-022	1
BULB,12V 32/3CP (Ref # 5)	92069-059	1
SCREW (Ref # 6)	220R0455	4
BKT-LICENSE PLT,BLACK (Ref # 7)	23036-014-21	1
DAMPER RUBBER (Ref # 8)	92075-091	2
WASHER,8.5X20X1.6 (Ref # 9)	92022-1561	2
BOLT (Ref # 10)	92001-105	2
BOLT-UPSET,6X40 (Ref # 11)	112G0640	2
BOLT,HEX HEAD,6X50 (Ref # 12)	110G0650	1
NUT 6MM (Ref # 13)	312B0600	3
WASHER SPRING 6MM (Ref # 14)	461F0600	3
WASHER PLAIN 6MM (Ref # 15)	411B0600	3
LAMP ASSY-TAIL (Ref # 16)	23025-044	1