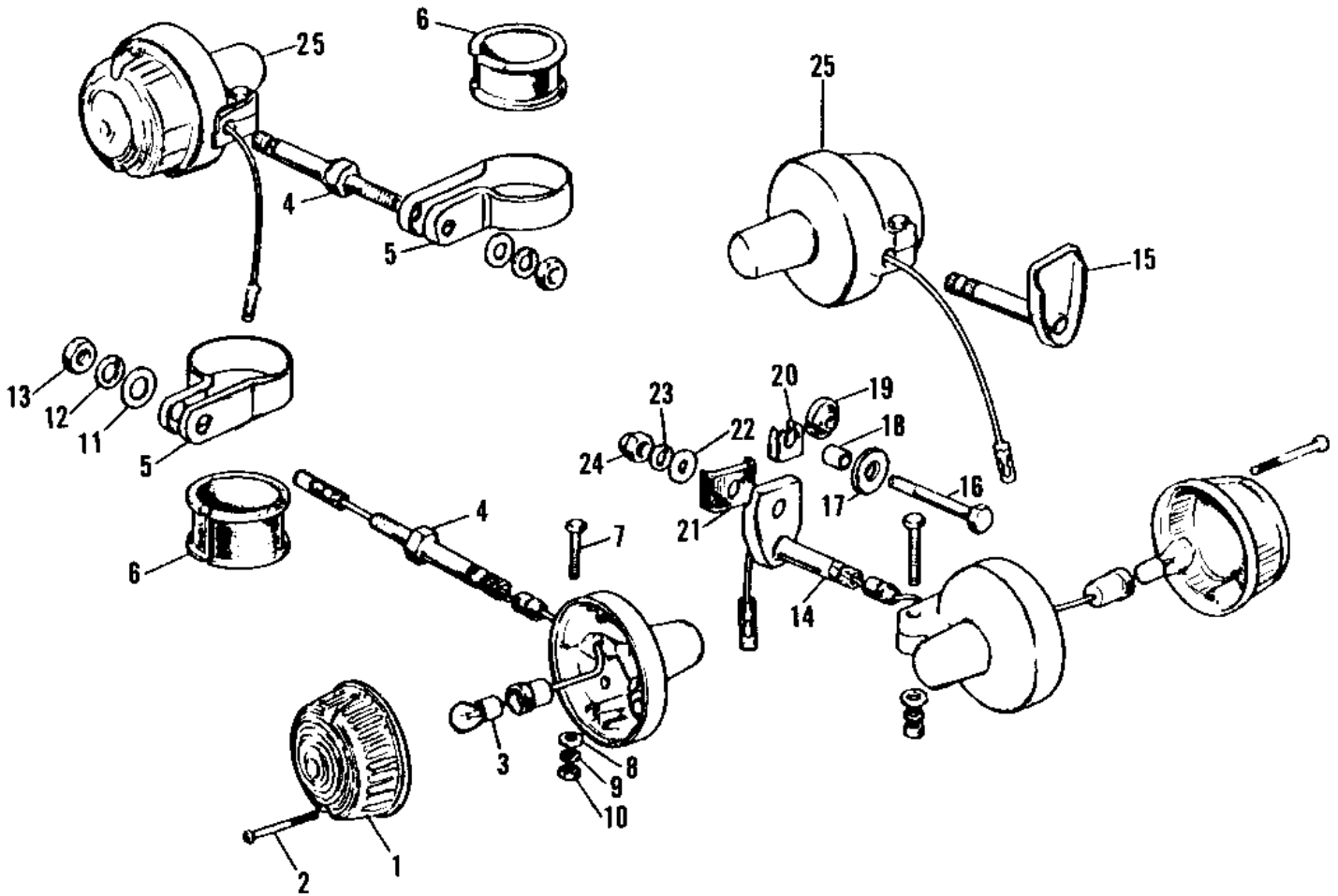


1973 H1-D PARTS DIAGRAM

TURN SIGNALS (H1-B/C)



(H1-B,

1973 H1-D PARTS LIST

TURN SIGNALS (H1-B/C)

ITEM NAME	PART NUMBER	QUANTITY
LENS-SIGNAL LAMP (Ref # 1)	23048-1024	4
LENS-SIGNAL LAMP (Ref # 1)	23048-1024	4
SCREW PAN HEAD 4X30 (Ref # 2)	220E0430	8
BULB 12V 32CP (Ref # 3)	92069-055	4
BRACKET,TURN SIGNAL (Ref # 4)	23051-047	2
BRACKET,TURN SIGNAL (Ref # 4)	23051-047	2
BKT-FRT SIGNAL LAMP (Ref # 5)	23051-021	2
DAMPER RUBBER-FR SGNL (Ref # 6)	92075-088	2
BOLT-UPSET (Ref # 7)	112G0630	4
WASHER PLAIN 6MM (Ref # 8)	410B0600	4
WASHER SPRING 6MM (Ref # 9)	461F0600	4
NUT 6MM (Ref # 10)	311B0600	4
WASHER PLAIN 12MM (Ref # 11)	410B1200	2
WASHER SPRING 12MM (Ref # 12)	461F1200	2
NUT,12MM (Ref # 13)	314N1200A	2
NUT-HEX-FINE,12MM (Ref # 13)	315B1200	2
BKT-RR SIGNL LAMP,R.H (Ref # 14)	23051-018	1
BKT-RR SIGNL LAMP,L.H (Ref # 15)	23051-019	1
BOLT,HEX HEAD,10X50 (Ref # 16)	92001-1254	2
WASHER-PLAIN (Ref # 17)	92022-206	2
COLLAR (Ref # 18)	92027-137	2
DAMPER RUBBER,A (Ref # 19)	92075-114	2
PLATE-EARTH (Ref # 20)	23061-003	2
DAMPER RUBBER B (Ref # 21)	92075-082	2
WASHER PLAIN 10MM (Ref # 22)	411B1000	2
WASHER SPRING 10MM (Ref # 23)	461F1000	2
NUT (10MM) (Ref # 24)	311B1000	2
LAMP-TURN SIGNAL (Ref # 25)	23040-029	4