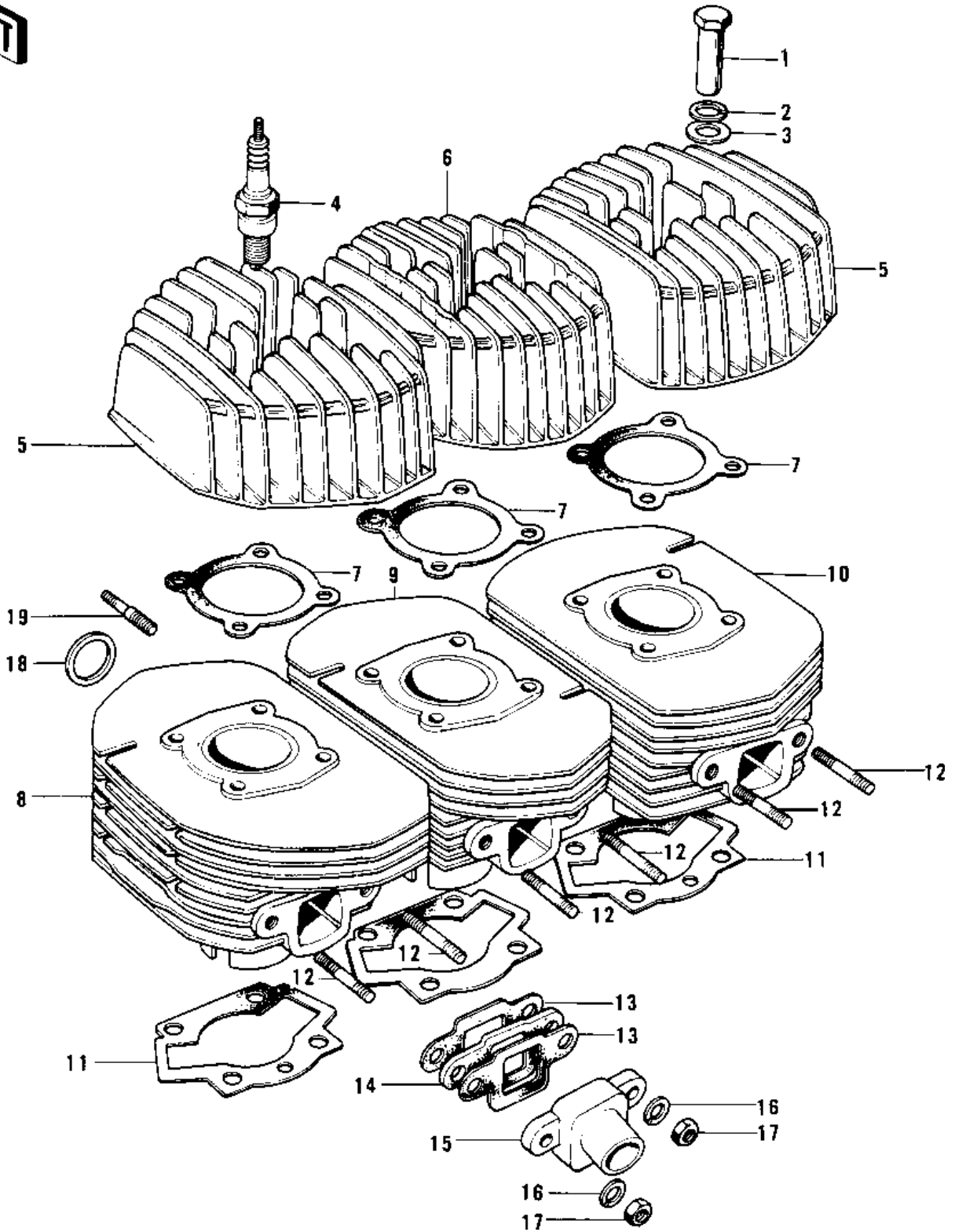


1971 H1-B PARTS DIAGRAM

CYLINDER HEADS/CYLINDERS ('73-'75 D/E/F)



1971 H1-B PARTS LIST

CYLINDER HEADS/CYLINDERS ('73-'75 D/E/F)

ITEM NAME	PART NUMBER	QUANTITY
NUT 8MM (Ref # 1)	92015-020	12
WASHER SPRING 12MM (Ref # 2)	461F1200	12
WASHER PLAIN 12MM (Ref # 3)	92022-072	12
SPARK PLUG B9HS1 (Ref # 4)	B9HS1	3
CYLINDER HEAD,L.H&R.H (Ref # 5)	11001-064-80	2
CYLINDER HEAD,L.H&R.H (Ref # 5)	11001-098-2H	2
CYLINDER HEAD,CENTER (Ref # 6)	11001-065	1
CYLINDER HEAD,CENTER (Ref # 6)	11001-099-2H	1
GASKET-CYLINDER HEAD (Ref # 7)	11004-048	3
CYLINDER (Ref # 8)	11005-050	1
CYLINDER,L.H,BARREL (Ref # 8)	11005-122-2H	1
CYLINDER (Ref # 9)	11005-051	1
CYLINDER,CENTER,BAREL (Ref # 9)	11005-123-2H	1
CYLINDER (Ref # 10)	11005-052	1
CYLINDER,R.H,BARREL (Ref # 10)	11005-124-2H	1
GASKET CYLINDER BASE (Ref # 11)	11009-019	3
STUD 8X20 (Ref # 12)	172G0820	6
GASKET AIR INLET (Ref # 13)	16062-011	6
INSULATOR HEAT (Ref # 14)	16061-010	3
INLET PIPE (Ref # 15)	16060-009	3
WASHER SPRING 8MM (Ref # 16)	461F0800	6
NUT,8MM (Ref # 17)	311B0800	6
GASKET EXHAUST PIPE (Ref # 18)	18067-008	3
GASKET,EXHAUST PIPE H (Ref # 18)	11009-1840	3
STUD (Ref # 19)	92004-029	6
STUD,8X25 (Ref # 19)	92004-1008	6