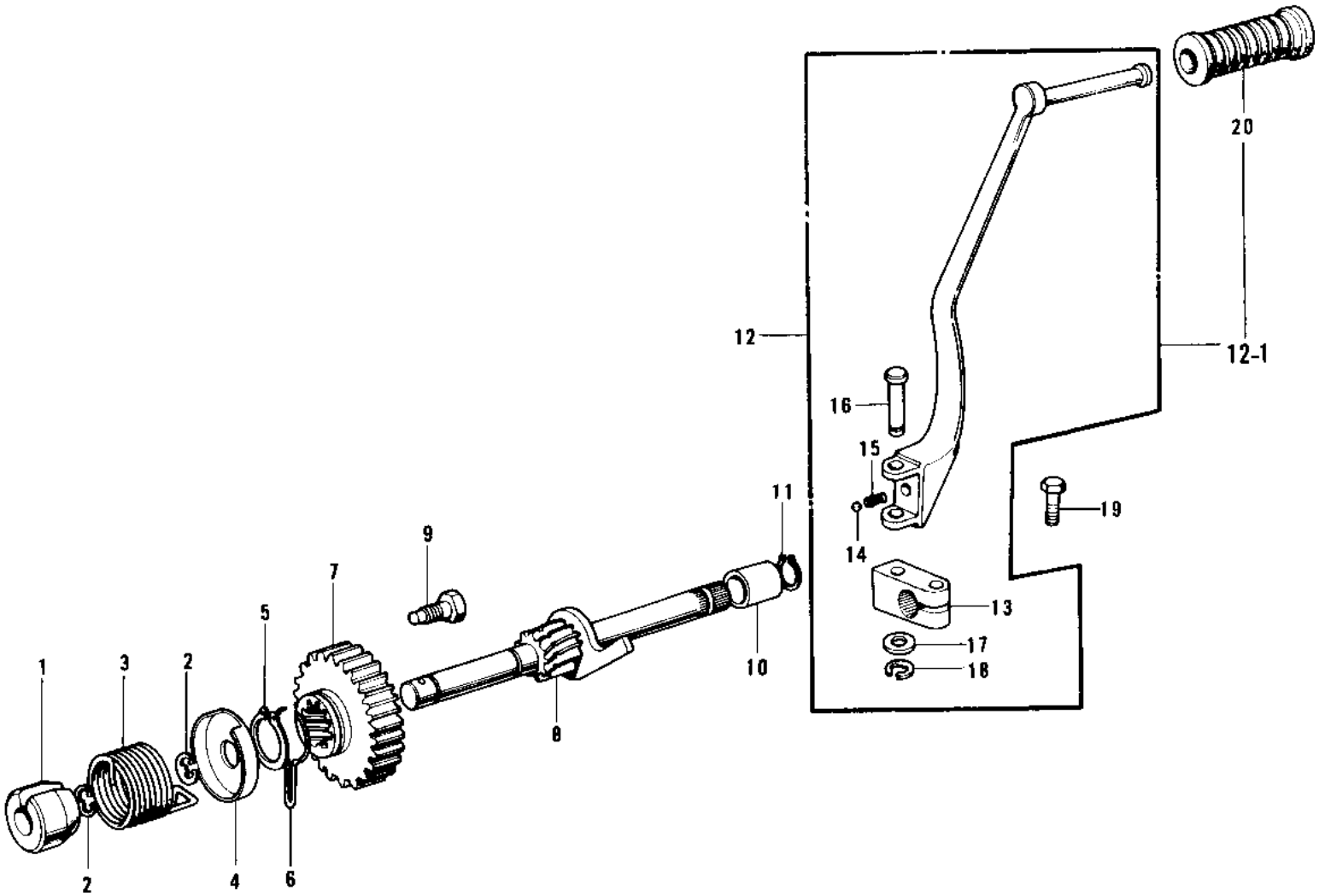


# 1969 Mach III PARTS DIAGRAM

KICKSTARTER MECHANISM ('73-'75 D/E/F & ')



# 1969 Mach III PARTS LIST

KICKSTARTER MECHANISM ('73-'75 D/E/F & ')

| ITEM NAME                       | PART NUMBER | QUANTITY |
|---------------------------------|-------------|----------|
| GUIDE KICK SPRING (Ref # 1)     | 13070-001   | 1        |
| CIRCLIP 10MM (Ref # 2)          | 482J0100    | 2        |
| SPRING KICKSTARTER (Ref # 3)    | 92081-021   | 1        |
| PLATE KICK GEAR HLDER (Ref # 4) | 13071-003   | 1        |
| CIRCLIP 26MM (Ref # 5)          | 480J2600    | 1        |
| HOLDER KICK GEAR (Ref # 6)      | 13077-002   | 1        |
| GEAR KICKSTARTER (Ref # 7)      | 13068-015   | 1        |
| SHAFT ASY,KICKSTARTER (Ref # 8) | 13245-009   | 1        |
| SHAFT ASY,KICKSTARTER (Ref # 8) | 13245-009   | 1        |
| STOPPER KICKSTARTER (Ref # 9)   | 13072-006   | 1        |
| BUSH (Ref # 10)                 | 92028-072   | 1        |
| CIRCLIP 16MM (Ref # 11)         | 480J1600    | 1        |
| PEDAL,KICKSTARTER (Ref # 12)    | 13064-016   | 1        |
| PEDAL,KICKSTARTER (Ref # 12-1)  | 13064-016   | 1        |
| BOSS-KICK PEDAL (Ref # 13)      | 13061-013   | 1        |
| BOSS,KICK PEDAL (Ref # 13)      | 13061-020   | 1        |
| BALL STEEL 1/4' (Ref # 14)      | 600A0800    | 1        |
| SPRING KICK PEDAL (Ref # 15)    | 92081-020   | 1        |
| PIN-KICKSTARTER (Ref # 16)      | 92043-075   | 1        |
| WASHER PLAIN 8MM (Ref # 17)     | 410B0800    | 1        |
| CIRCLIP 5MM (Ref # 18)          | 482K5000    | 1        |
| BOLT-KICK PEDAL (Ref # 19)      | 92001-101   | 1        |
| RUBBER KICK PEDAL (Ref # 20)    | 13063-004   | 1        |