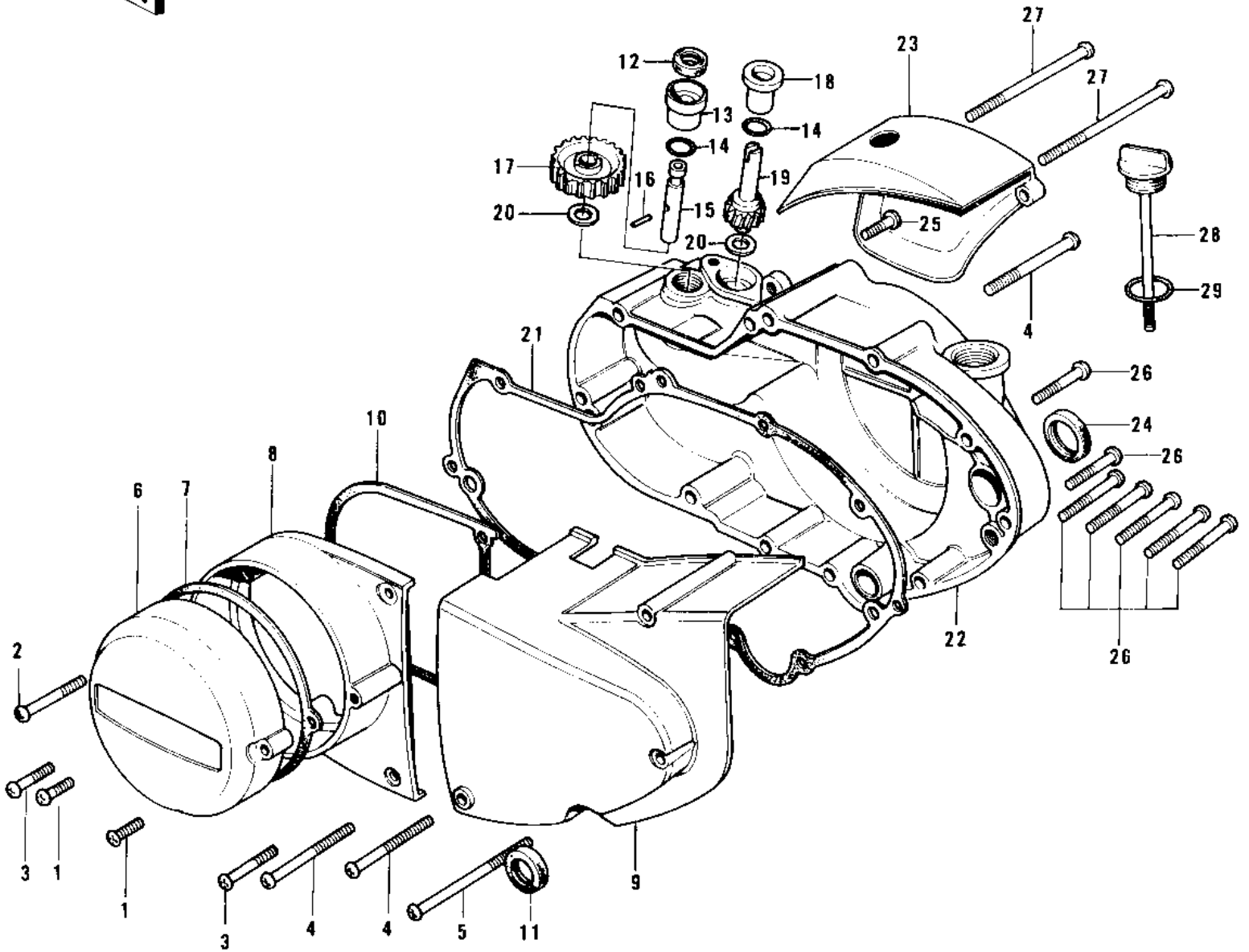


1973 H1-D PARTS DIAGRAM

ENGINE COVERS (73-75 D/E/F & '76 A8)



1973 H1-D PARTS LIST

ENGINE COVERS ('73-'75 D/E/F & '76 A8)

ITEM NAME	PART NUMBER	QUANTITY
SCREW PAN HEAD 6X20 (Ref # 1)	220B0620	2
SCREW PAN HEAD 6X45 (Ref # 2)	220B0645	1
SCREW PAN HEAD 6X35 (Ref # 3)	220B0635	2
SCREW PAN HEAD 6X55 (Ref # 4)	220B0655	3
SCREW PAN HEAD 6X85 (Ref # 5)	220B0685	1
CAP,BREAKER POINT,BUF (Ref # 6)	14027-016-80	1
GASKET-POINT CAP (Ref # 7)	14050-005	1
GASKET,POINT CAP (Ref # 7)	14050-008	1
COVER,L.H ENGINE,BUFF (Ref # 8)	14031-049-80	1
COVER,L.H ENGINE,BUFF (Ref # 8)	14031-060-80	1
COVER,CHN CASE,BUFF (Ref # 9)	14026-024-80	1
COVER,FRONT CHN,BUFF (Ref # 9)	14026-034-80	1
GASKET,L.H ENG COVER (Ref # 10)	14045-022	1
OIL SEAL SB12205 (Ref # 11)	92049-004	1
OIL SEAL (Ref # 12)	92054-004	1
BUSH (Ref # 13)	92028-075	1
"0" RING (Ref # 14)	92055-025	2
SHAFT TACHOMETER GEAR (Ref # 15)	13226-004	1
PIN,DOWEL (Ref # 16)	92042-035	1
GEAR TACHOMETER (Ref # 17)	13224-005	1
BUSH (Ref # 18)	92028-074	1
GEAR OIL PUMP (Ref # 19)	16085-011	1
WASHER THRUST (Ref # 20)	92026-026	2
GASKET R.H ENGINE COV (Ref # 21)	14046-014	1
COVER,R.H.ENGINE (Ref # 22)	14032-1024-80	1
COVER,R.H.ENGINE (Ref # 22)	14032-1024-80	1
COVER,OIL PUMP,BUFF (Ref # 23)	14030-036-80	1
OIL SEAL SB16244 (Ref # 24)	92049-002	1
SCREW PAN HEAD 6X25 (Ref # 25)	220B0625	1

1973 H1-D PARTS LIST

ENGINE COVERS ('73-'75 D/E/F & '76 A8)

ITEM NAME	PART NUMBER	QUANTITY
SCREW PAN HEAD 6X30 (Ref # 26)	220B0630	7
SCREW PAN HEAD 6X100 (Ref # 27)	220B06100	2
PLUG-OIL FILLER (Ref # 28)	16115-017	1
PLUG-OIL FILLER (Ref # 28)	16115-017	1
"O" RING,20MM (Ref # 29)	670B2020	1