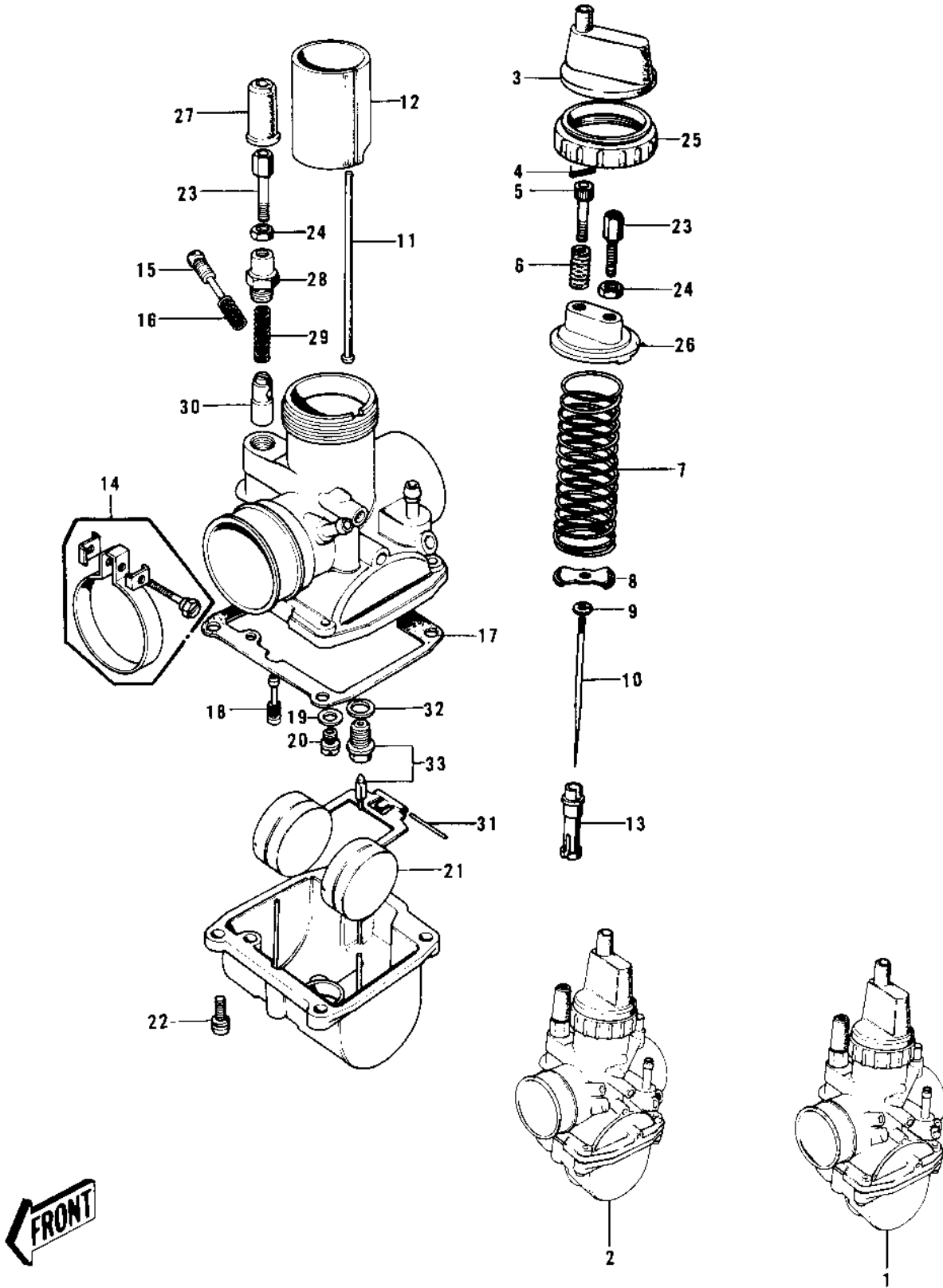


# 1975 H1-F PARTS DIAGRAM

CARBURETORS ('73-'75 D/E/F & '76 A8)



# 1975 H1-F PARTS LIST

CARBURETORS ('73-'75 D/E/F & '76 A8)

ITEM NAME	PART NUMBER	QUANTITY
CARBURETOR ASY,L.H&CN (Ref # 1)	16001-165	2
CARBURETOR ASY,L-H&CN (Ref # 1)	16001-276	2
CARBURETOR ASY,L-H&CN (Ref # 1)	16001-276	2
CARBURETOR ASSY,R.H (Ref # 2)	16001-166	1
CARBURETOR ASSY,R.H (Ref # 2)	16001-257	1
CARBURETOR ASSY,R H (Ref # 2)	16001-277	1
CAP CARBURETOR RUBBER (Ref # 3)	16036-004	3
PIN COTTER 1.2X10 (Ref # 4)	550D1210	3
SCREW,THROTTLE STOP (Ref # 5)	16021-002	3
SPRING THR STOP SCREW (Ref # 6)	16022-005	3
SPRING THROTTLE VALVE (Ref # 7)	16006-012	3
SPRING SEAT THRTL VLV (Ref # 8)	16007-007	3
CIRCLIP (Ref # 9)	16008-010	3
JET NEEDLE 5DJ19 (Ref # 10)	16009-049	3
ROD THROTTLE VLV STOP (Ref # 11)	16024-005	3
VALVE-THROTTLE CA2.0 (Ref # 12)	16025-048	3
NEEDLE JET,0-4 (Ref # 13)	16017-062	3
CLAMP SET CARB MOUNT (Ref # 14)	16051-002	3
SCREW (Ref # 15)	16014-006	3
SPRING-THR STOP SCREW (Ref # 16)	16022-007	3
GASKET FLOAT CHAMBER (Ref # 17)	16019-008	3
JET-PILOT NO 30 (Ref # 18)	92064-022	3
JET-PILOT NO 25 (Ref # 18)	92064-032	3
WASHER MAIN JET (Ref # 19)	16034-001	3
MAIN JET NO 92.5R (Ref # 20)	92063-068	3
MAIN JET NO 75R (Ref # 20)	92063-109	3
MAIN JET NO 87.5R (Ref # 20)	92063-094	(3
MAIN JET,#A90R (Ref # 20)	92063-1029	(3
MAIN JET,#A95 (Ref # 20)	92063-1031	(3

## 1975 H1-F PARTS LIST

CARBURETORS ('73-'75 D/E/F & '76 A8)

ITEM NAME	PART NUMBER	QUANTITY
MAIN JET,#A97.5R (Ref # 20)	92063-1035	(3
MAIN JET,#70R (Ref # 20)	92063-1012	(3
MAIN JET NO 72.5R (Ref # 20)	92063-108	(3
MAIN JET,#77.5R (Ref # 20)	92063-1032	(3
MAIN JET, #A80 (Ref # 20)	92063-1030	(3
FLOAT (Ref # 21)	16031-023	3
SCREW FLOAT CHAMBER (Ref # 22)	16033-009	12
ADJUSTER,CABLE (Ref # 23)	16002-017	6
NUT CABLE ADJUST LOCK (Ref # 24)	16003-004	6
CAP MIXING CHAMBER (Ref # 25)	16004-006	3
TOP MIXING CHAMBER (Ref # 26)	16005-016	3
CAP CABLE ADJUST RUBB (Ref # 27)	16036-005	3
CAP STARTER PLUNGER (Ref # 28)	16012-008	3
SPRING-PLUNGER (Ref # 29)	16013-003	3
PLUNGER-ENRICHNER (Ref # 30)	16016-002	3
FLOAT PIN (Ref # 31)	16032-003	3
WASHER FLOAT VLV SEAT (Ref # 32)	16029-004	3
FLOAT VALVE ASSY (Ref # 33)	16030-005	3