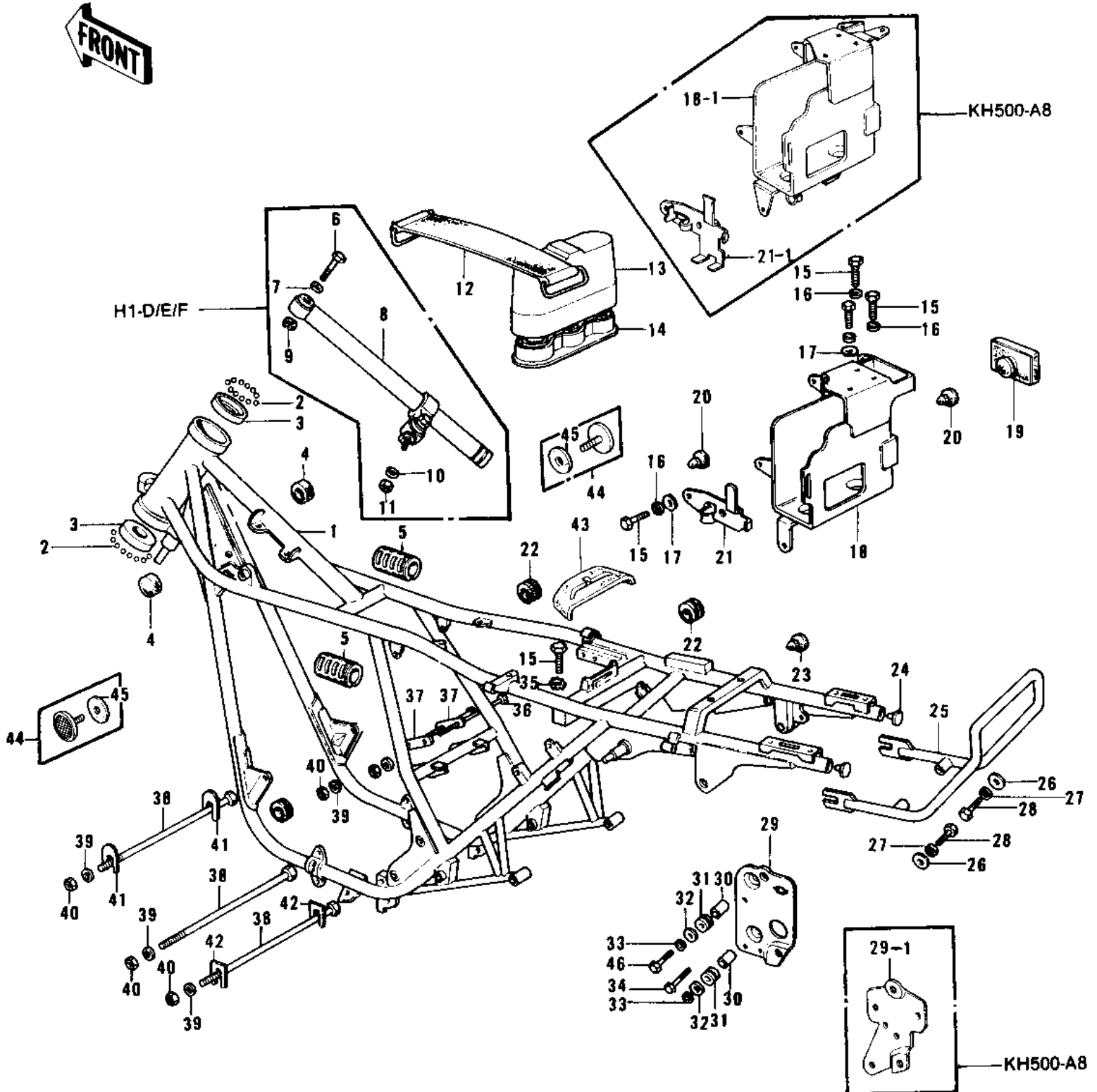


# 1971 H1-B PARTS DIAGRAM

FRAME/FRAME FITTINGS ('73-'75 D/E/F & '7



# 1971 H1-B PARTS LIST

FRAME/FRAME FITTINGS ('73-'75 D/E/F & '7

ITEM NAME	PART NUMBER	QUANTITY
FRAME (Ref # 1)	32002-062	1
FRAME (Ref # 1)	32002-085	1
FRAME (Ref # 1)	32002-114	1
FRAME (Ref # 1)	32002-127	1
FRAME ASSY (Ref # 1)	32002-131	1
BALL STEEL 1/4' (Ref # 2)	600A0800	38
RACE STRNG STEM BERNG (Ref # 3)	92048-006	2
DAMPER RUBBER-FL TANK (Ref # 4)	92075-101	2
DAMPER RUBBER (Ref # 5)	92075-084	2
BOLT HEX HEAD 8X60 (Ref # 6)	110B0860	1
WASHER PLAIN 8MM (Ref # 7)	411B0800	1
OIL DAMPER-STEERING (Ref # 8)	46117-006	1
NUT,LOCK,8MM (Ref # 9)	92015-1124	1
WASHER SPRING 8MM (Ref # 10)	461F0800	1
NUT,8MM (Ref # 11)	311B0800	1
BAND,SPARK PLUG COVER (Ref # 12)	32100-015	1
COVER-SPARK PLUG (Ref # 13)	32132-003	1
HOLDER-SPARK PLUG COV (Ref # 14)	32132-002	1
BOLT-UPSET,6X16 (Ref # 15)	112G0616	5
BOLT-UPSET,6X12 (Ref # 15)	112G0612	5
WASHER SPRING 6MM (Ref # 16)	461F0600	5
WASHER PLAIN 6MM (Ref # 17)	411B0600	5
CASE,BATTERY (Ref # 18)	32097-026	1
CASE,BATTERY (Ref # 18)	32097-033	1
CASE,BATTERY (Ref # 18-1)	32097-038	1
DAMPER RUBBER,BATTERY (Ref # 19)	92075-163	1
DAMPER RUBBER (Ref # 20)	92075-078	4
BAND,BATTERY (Ref # 21)	32100-016	1
BAND,BATTERY CASE (Ref # 21-1)	32100-018	1

# 1971 H1-B PARTS LIST

FRAME/FRAME FITTINGS ('73-'75 D/E/F & '7

ITEM NAME	PART NUMBER	QUANTITY
GROMMET (Ref # 22)	92071-056	4
GROMMET (Ref # 23)	92071-081	1
PLUG (Ref # 24)	32112-006	2
STAY,REAR FENDER (Ref # 25)	35032-023	1
WASHER PLAIN 8MM (Ref # 26)	411B0800	2
WASHER SPRING 8MM (Ref # 27)	461F0800	2
BOLT,8X20 (Ref # 28)	115G0820	2
WIRING HARNESS&BKT (Ref # 29)	26002-036	1
BKT&HARNESS,WIRING (Ref # 29)	26002-044	1
BKT,ELECT BASE (Ref # 29-1)	32129-007	1
COLLAR 6.8X10X14.5 (Ref # 30)	92027-156	2
DAMPER RUBBER (Ref # 31)	92075-167	2
WASHER 6.5X20X1.6T (Ref # 32)	92022-125	2
WASHER SPRING 6MM (Ref # 33)	461F0600	2
BOLT-UPSET (Ref # 34)	112G0630	1
WASHER LOCK 6MM (Ref # 35)	464H0600	1
BOLT,HEX HEAD,10X125 (Ref # 36)	92001-1248	2
PLATE REAR ENG HOLDER (Ref # 37)	32030-016	2
BOLT-ENG MOUNT,10X274 (Ref # 38)	92091-024	5
WASHER PLAIN 10MM (Ref # 39)	410B1000	5
NUT,10MM (Ref # 40)	92015-1429	5
SHIM-ENG FIT RR,0.5MM (Ref # 41)	92025-048	5
SHIM-ENG FIT RR,0.8MM (Ref # 41)	92025-049	AR
SHIM-ENG FIT RR,1.0MM (Ref # 41)	92025-050	AR
SHIM-ENG FIT RR,1.6MM (Ref # 41)	92025-051	AR
SHIM-ENG FIT RR,2.0MM (Ref # 41)	92025-052	AR
SHIM-ENG FIT FR,0.5MM (Ref # 42)	92025-053	5
SHIM-ENG FIT FR,0.8MM (Ref # 42)	92025-054	AR
SHIM-ENG FIT FR,1.0MM (Ref # 42)	92025-055	AR

## 1971 H1-B PARTS LIST

FRAME/FRAME FITTINGS ('73-'75 D/E/F & '7

ITEM NAME	PART NUMBER	QUANTITY
SHIM-ENG FIT FR,1.6MM (Ref # 42)	92025-056	AR
SHIM-ENG FIT FR,2.0MM (Ref # 42)	92025-057	AR
SHIM-ENG FIT FR,2.3MM (Ref # 42)	92025-058	AR
DAMPER RUBBER,FUEL TK (Ref # 43)	92075-278	1
REFLECTOR,REFLEX (Ref # 44)	28001-026	2
DAMPER RUBBER,REFLECT (Ref # 45)	92094-011	2
BOLT-UPSET (Ref # 46)	112G0630	1
BOLT-UPSET (Ref # 46)	112G0625	1