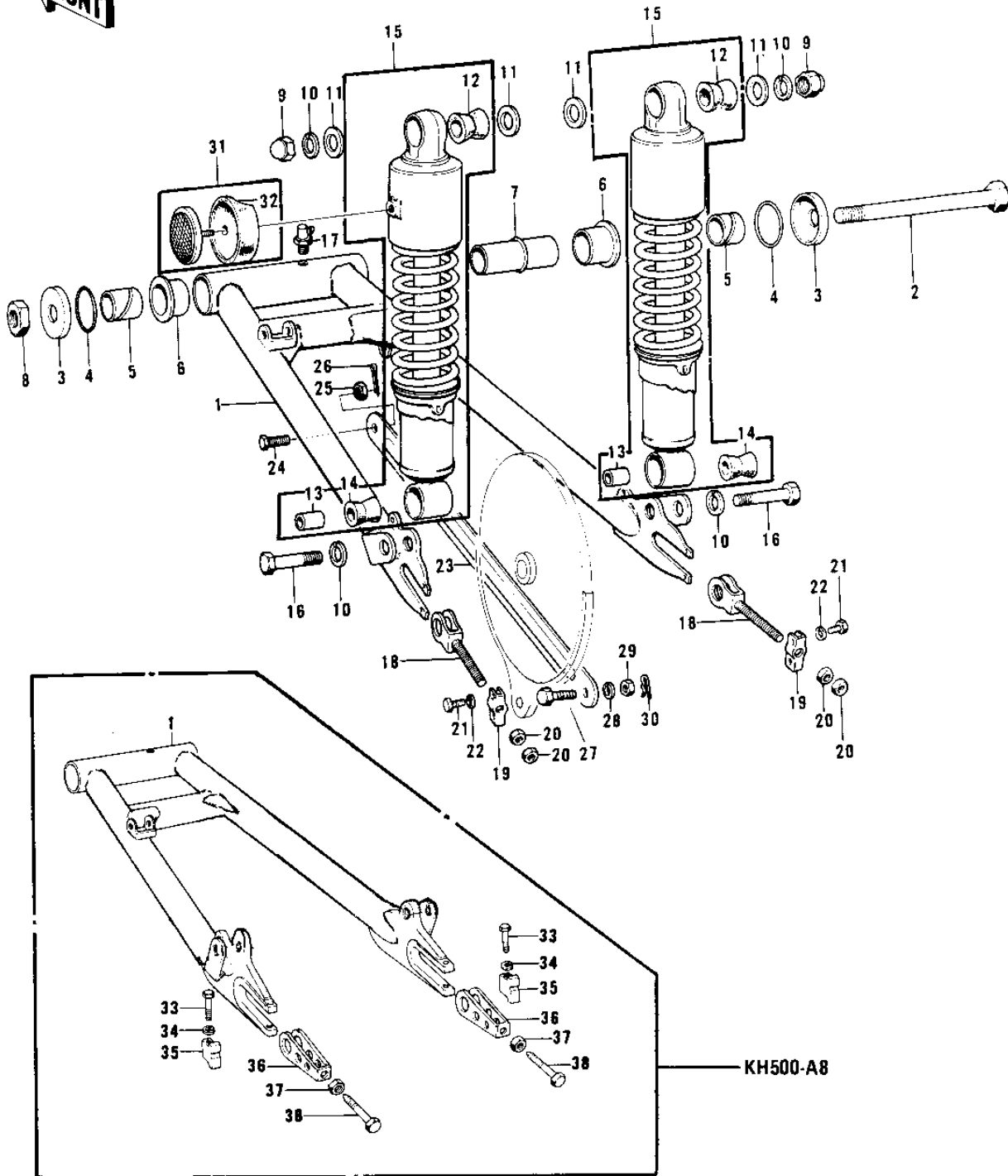


1975 H1-F PARTS DIAGRAM

SWING ARM/SHOCK ABSORBERS ('73-75 D/E/F)



1975 H1-F PARTS LIST

SWING ARM/SHOCK ABSORBERS ('73-75 D/E/F)

ITEM NAME	PART NUMBER	QUANTITY
ARM,SWING (Ref # 1)	33001-050	1
SWINGING ARM (Ref # 1)	33001-065	1
1ARM,SWING (Ref # 1)	33001-084	1
SHAFT-SWING ARM PIVOT (Ref # 2)	33032-038	1
CAP,SWING ARM (Ref # 3)	33035-007	2
"O" RING,30MM (Ref # 4)	671B2530	2
SLEEVE SWING ARM (Ref # 5)	33034-009	2
BUSHING-SWING ARM (Ref # 6)	33033-009	2
SLEEVE SWING ARM LONG (Ref # 7)	33034-008	1
NUT-SELF LOCKING (Ref # 8)	92019-012	1
NUT SHOCK ABSORBER (Ref # 9)	92020-003	2
WASHER SPRING 10MM (Ref # 10)	461F1000	4
WASHER,PLAIN,10MM (Ref # 11)	92022-246	4
BUSH SHCK ABS RUBBER (Ref # 12)	45017-001	4
BUSHING,SHCK ABS RUB (Ref # 12)	45017-015	2
BUSH SHCK ABS PVT SFT (Ref # 13)	45016-003	2
BUSHING,SHOCK ABSORB (Ref # 13)	45016-008	2
BUSHING,SHCK ABS RUB (Ref # 14)	45017-018	2
BUSHING, SHCK ABS RUB (Ref # 14)	45017-012	2
SHOCK ABSBR RR (Ref # 15)	45014-077	2
SHOCK ABSBR RR (Ref # 15)	45014-095	2
BOLT HEX HEAD 10X35 (Ref # 16)	113N1035	2
GREASE NIPPLE (Ref # 17)	92005-002	1
ADJUSTER-CHAIN (Ref # 18)	33040-050	2
ADJUSTER,CHAIN (Ref # 18)	33040-059	2
PLATE-CHAIN ADJUSTER (Ref # 19)	33041-002	2
PLATE,CHAIN ADJUSTER (Ref # 19)	33041-004	2
NUT 8MM (Ref # 20)	312B0800	4
BOLT-UPSET,6X16 (Ref # 21)	112G0616	4

1975 H1-F PARTS LIST

SWING ARM/SHOCK ABSORBERS ('73-75 D/E/F)

ITEM NAME	PART NUMBER	QUANTITY
WASHER SPRING 6MM (Ref # 22)	461F0600	4
TORQUE LINK-REAR BRK (Ref # 23)	43007-027	1
BOLT (Ref # 24)	92003-096	1
NUT,10MM (Ref # 25)	314B1000	1
PIN COTTER 2.0X25 (Ref # 26)	550D2025	1
BOLT-HEX HEAD,10X40 (Ref # 27)	92003-097	1
WASHER SPRING 10MM (Ref # 28)	461F1000	1
NUT 10MM (Ref # 29)	315B1000	1
PIN,SNAP (Ref # 30)	554A0800	1
REFLECTOR,REFLEX,REAR (Ref # 31)	28001-030	2
DAMPER RUBBER,REFLEX (Ref # 32)	28016-003	2
BOLT,FLANGED,8X35 (Ref # 33)	92001-1577	2
WASHER SPRING 8MM (Ref # 34)	461F0800	2
STOPPER,CHAIN ADJUST (Ref # 35)	33044-002	2
ADJUSTER,CHAIN (Ref # 36)	33040-056	2
NUT 8MM (Ref # 37)	314B0800	2
BOLT,8X50 (Ref # 38)	92001-1399	2