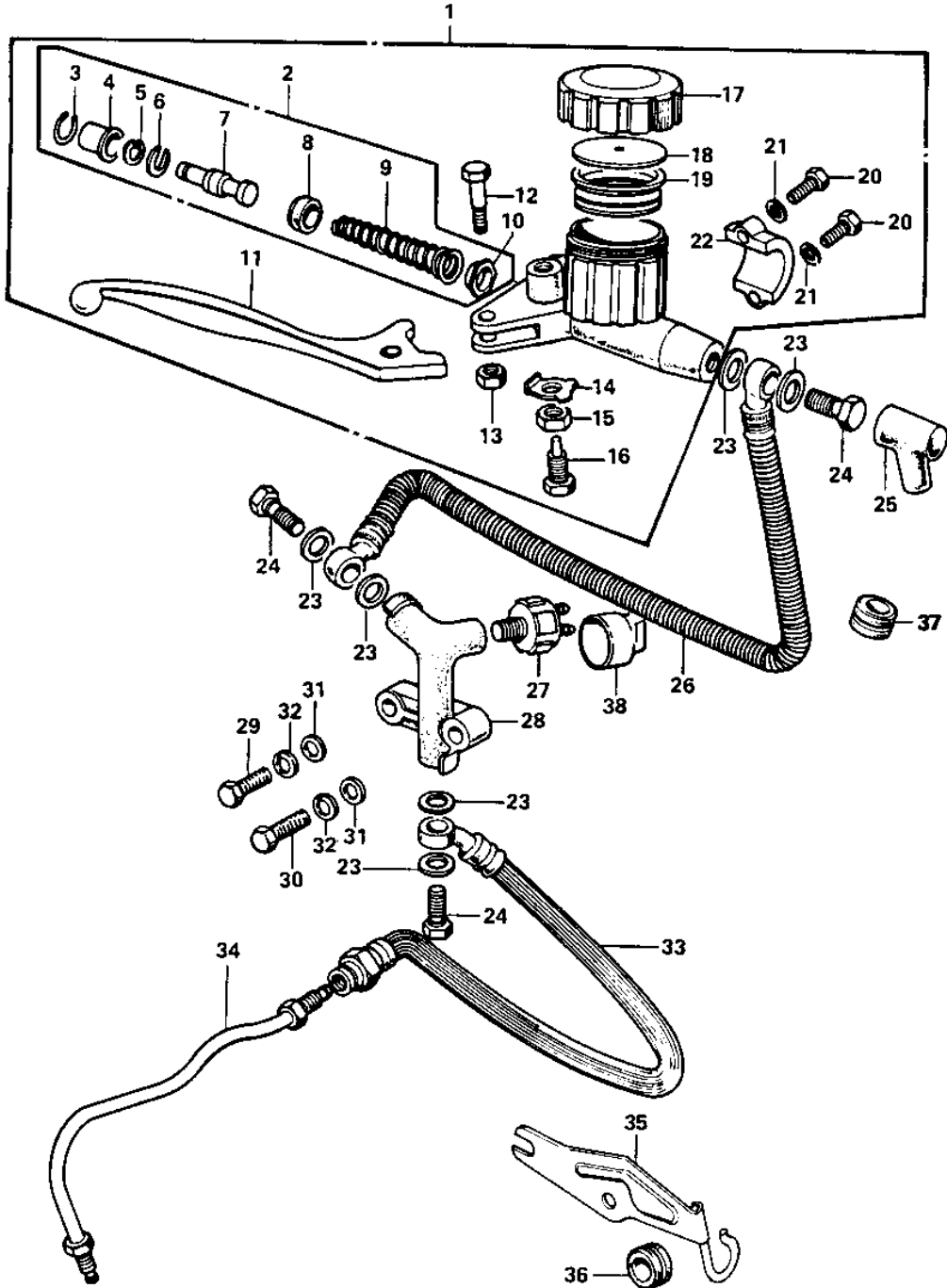


# 1969 Mach III PARTS DIAGRAM

FRONT MASTER CYLINDER (KH500-A8)



**FRONT**

**(KH500)**

# 1969 Mach III PARTS LIST

## FRONT MASTER CYLINDER (KH500-A8)

ITEM NAME	PART NUMBER	QUANTITY
CYLINDER ASSY,MASTER (Ref # 1)	43015-032	1
CYLINDER ASSY,MASTER (Ref # 1)	43015-032	1
REPAIR SET-MASTER CYL (Ref # 2)	43073-001	1
STOPPER-BOOTS (Ref # 3)	43025-001	1
BOOTS (Ref # 4)	43024-001	1
CIRCLIP,18MM (Ref # 5)	481J1800	1
STOPPER-PISTON (Ref # 6)	43022-001	1
PISTON ASSY (Ref # 7)	43072-001	1
CUP-PRIMARY (Ref # 8)	43019-001	1
SPRING ASSY-RETURN (Ref # 9)	43018-001	1
VALVE ASSY-CHECK (Ref # 10)	43017-001	1
LEVER,FRONT BRAKE (Ref # 11)	43029-003	1
BOLT (Ref # 12)	43033-004	1
NUT 6MM (Ref # 13)	312B0600	1
WASHER-LOCK,8MM (Ref # 14)	43031-001	1
NUT,8MM (Ref # 15)	311B0800	1
BOLT,LEVER ADJUSTING (Ref # 16)	43030-003	1
CAP,OIL CUP (Ref # 17)	43026-003	1
PLATE-MASTER CYLINDER (Ref # 18)	43027-001	1
DIAPHRAGM (Ref # 19)	43028-001	1
BOLT HEX HEAD 6X25 (Ref # 20)	110N0625	2
WASHER PLAIN 6MM (Ref # 21)	411B0600	2
HOLDER-MASTER CYL (Ref # 22)	43034-001	1
WASHER-OIL BOLT (Ref # 23)	43067-001	6
BOLT,OIL,L=23 (Ref # 24)	92002-1888	3
BOOT,DUST (Ref # 25)	49006-1041	1
HOSE,CYLINDER BRAKE (Ref # 26)	43059-009	1
SWITCH-FRONT BRAKE (Ref # 27)	43065-001	1
JOINT,THREE WAY (Ref # 28)	43061-002	1

# 1969 Mach III PARTS LIST

## FRONT MASTER CYLINDER (KH500-A8)

ITEM NAME	PART NUMBER	QUANTITY
BOLT, HEX HEAD 6X22 (Ref # 29)	110N0622	1
BOLT-HEX HEAD,6X32 (Ref # 30)	110N0632	1
WASHER PLAIN 6MM (Ref # 31)	411B0600	2
WASHER SPRING 6MM (Ref # 32)	461F0600	2
HOSE-BRAKE,L=350 (Ref # 33)	43059-1262	1
PIPE,BRIDGE (Ref # 34)	43060-021	1
BRACKET-BRAKE HOSE (Ref # 35)	43063-001	1
GROMMET-HOSE BRACKET (Ref # 36)	43064-001	1
DAMPER RUBBER (Ref # 37)	43064-005	1
RUBBER CAP,FRNT BRKE (Ref # 38)	92073-027	1