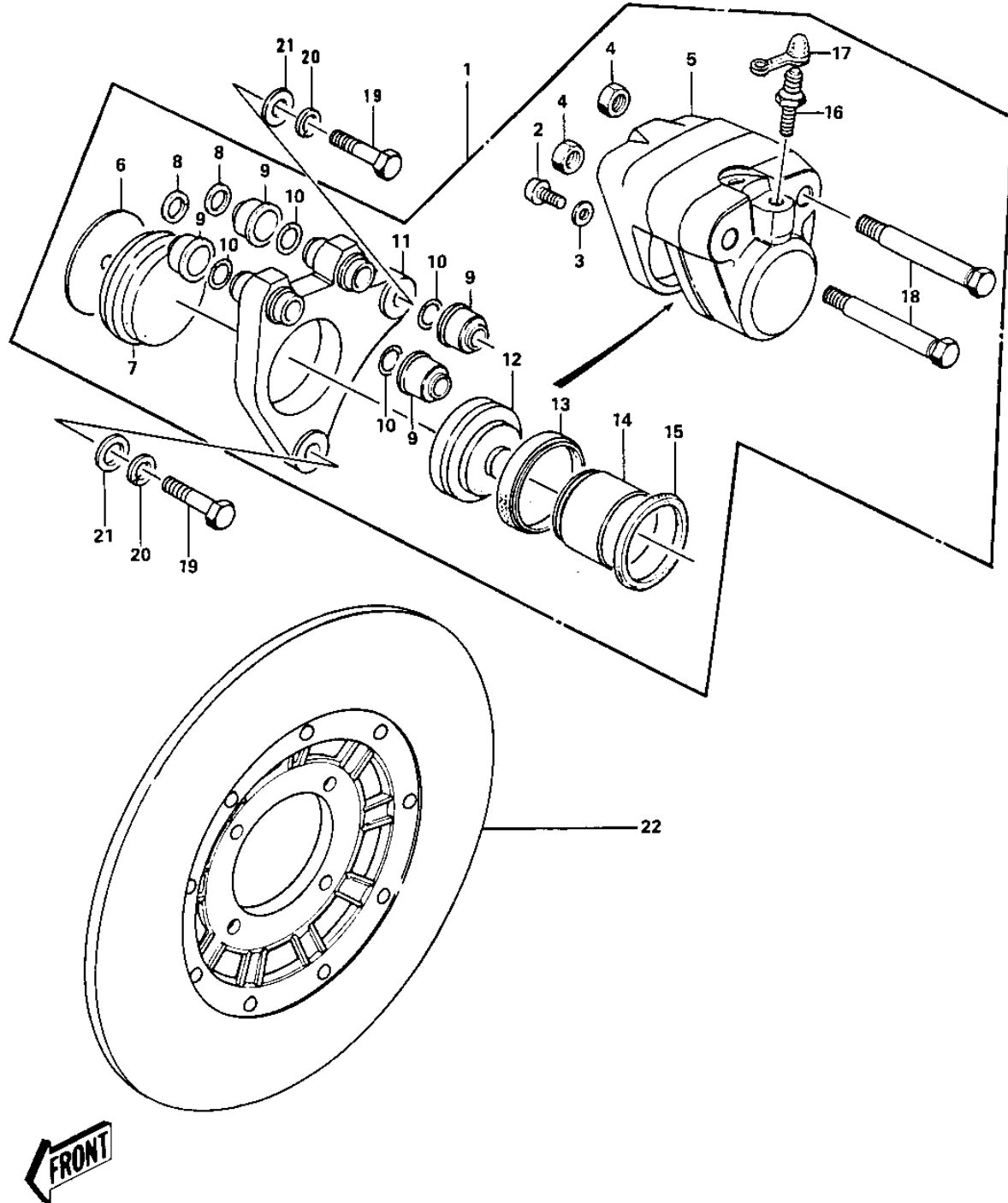


1976 KH500-A8 PARTS DIAGRAM

FRONT BRAKE (KH500-A8)

Re
—



1045-2

(KH500-

1976 KH500-A8 PARTS LIST

FRONT BRAKE (KH500-A8)

ITEM NAME	PART NUMBER	QUANTITY
CALIPER ASSY,FRONT (Ref # 1)	43041-030	1
CALIPER ASSY,FRONT (Ref # 1)	43041-030	1
SCREW PAN HEAD 6X12 (Ref # 2)	220B0612	1
WASHER SPRING 6MM (Ref # 3)	461F0600	1
NUT 10MM (Ref # 4)	315B1000	2
CALIPER (Ref # 5)	43042-008	1
SPACER (Ref # 6)	43040-004	1
PAD B (Ref # 7)	43051-007	1
PAD SET,(FRONT) (Ref # 7)	43050-5001	1
PLUG (Ref # 8)	43088-002	2
DUST SHILD,SHAFT (Ref # 9)	43052-005	4
"O" RING (Ref # 10)	43053-006	4
HOLDER,CALIPER (Ref # 11)	43044-008	1
PAD A (Ref # 12)	43050-006	1
PAD SET,(FRONT) (Ref # 12)	43050-5001	1
DUST SEALD,RUBBER (Ref # 13)	43054-003	1
PISTON,CALIPER (Ref # 14)	43048-006	1
RING,PISTON SEAL (Ref # 15)	43049-002	1
BREEDER (Ref # 16)	43056-003	1
BLEEDER SET (Ref # 16)	43085-001	1
CAP,BREEDER (Ref # 17)	43057-003	1
BOLT (Ref # 18)	43045-006	2
BOLT (Ref # 19)	92007-032	2
WASHER SPRING 10MM (Ref # 20)	461F1000	2
WASHER PLAIN 10MM (Ref # 21)	410B1000	2
DISC PLATE,FRONT (Ref # 22)	41080-005	1