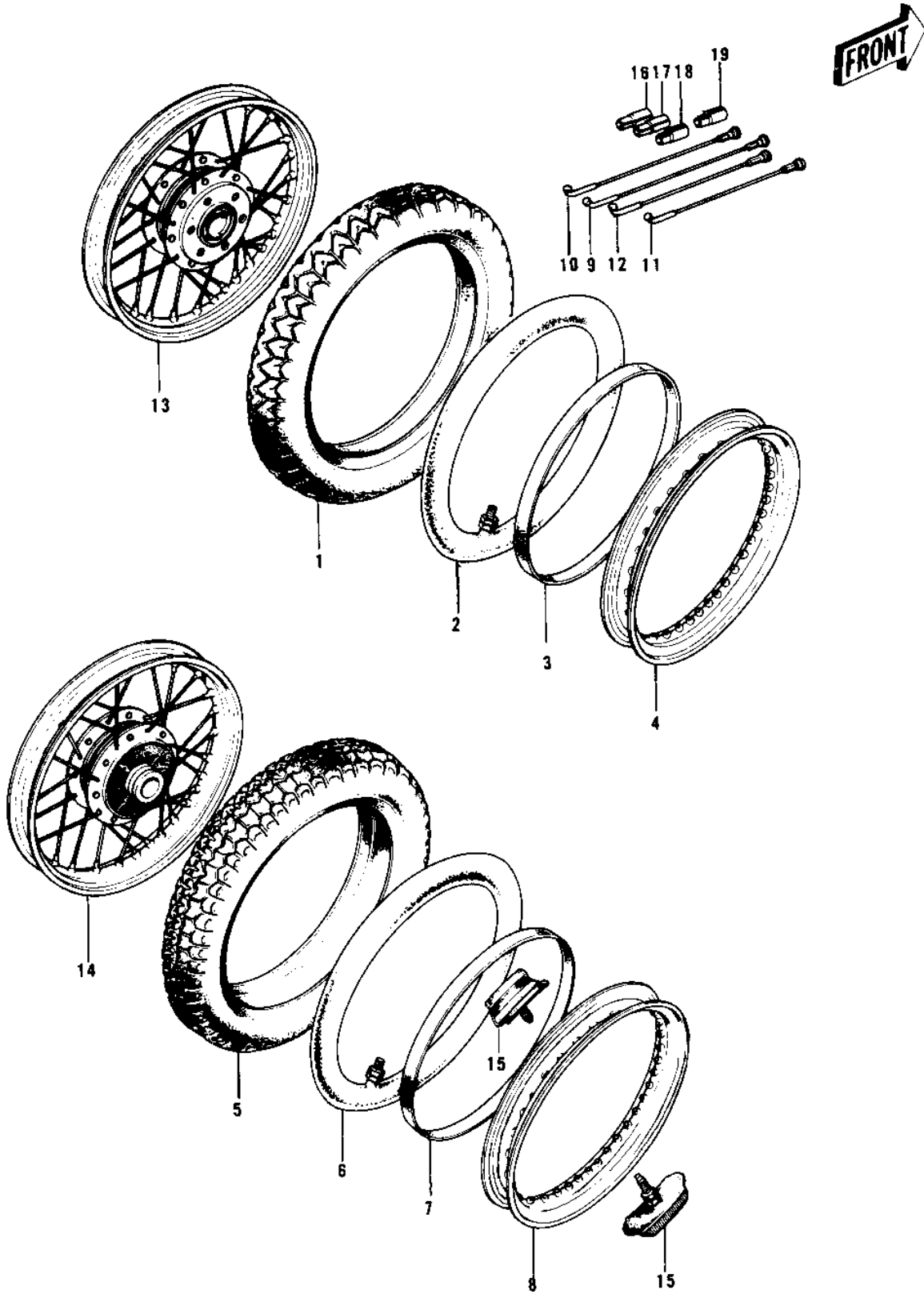


# 1975 H1-F PARTS DIAGRAM

WHEELS/TIRES ('73-'75 D/E/F & '76 A8)



# 1975 H1-F PARTS LIST

WHEELS/TIRES ('73-'75 D/E/F & '76 A8)

| ITEM NAME                           | PART NUMBER | QUANTITY |
|-------------------------------------|-------------|----------|
| UNAVAILABLE IN PRICE BOOK (Ref # 1) | 41021-029   | 1        |
| TIRE 325H-19 F6B F (Ref # 1)        | 41021-038   | 1        |
| *** N.L.A.*** (Canada) (Ref # 2)    | 41022-030   | 1        |
| TUBE,3.0/3.25/3.60-19 (Ref # 2)     | 41022-1019  | 1        |
| BAND RIM (Ref # 3)                  | 41023-015   | 1        |
| RIM,1.8BX19W (Ref # 4)              | 41025-051   | 1        |
| RIM (Ref # 4)                       | 41025-085   | 1        |
| UNAVAILABLE IN PRICE BOOK (Ref # 5) | 41021-021   | 1        |
| UNAVAILABLE IN PRICE BOOK (Ref # 5) | 41021-030   | 1        |
| TIRE 400H-18 K87 R (Ref # 5)        | 41021-039   | 1        |
| TUBE 350/375/410-18 (Ref # 6)       | 41022-031   | 1        |
| BAND,RIM,4.00/5.10-18 (Ref # 7)     | 41023-1006  | 1        |
| RIM-2-15BX18W (Ref # 8)             | 41025-058   | 1        |
| SPOKE-ASY,FR INNER (Ref # 9)        | 41027-042   | 20       |
| SPOKE-ASY,FR INNER (Ref # 9)        | 41027-085   | 20       |
| SPOKE-ASY,FR OUTER (Ref # 10)       | 41028-041   | 20       |
| SPOKE-ASY,FR OUTER (Ref # 10)       | 41028-084   | 20       |
| SPOKE-ASY,RR INNER (Ref # 11)       | 41027-047   | 20       |
| SPOKE-ASY,RR OUTER (Ref # 12)       | 41028-046   | 20       |
| WHEEL ASSY-FRONT (Ref # 13)         | 41074-022   | 1        |
| WHEEL ASSY FRONT (Ref # 13)         | 41074-047   | 1        |
| WHEEL ASSY,REAR (Ref # 14)          | 42048-021   | 1        |
| PROTECTOR-BEAD,2.15B (Ref # 15)     | 41024-008   | 1        |
| WEIGHT,BALANCE,10G (Ref # 16)       | 41075-1007  | AR       |
| WEIGHT,BALANCE,20G (Ref # 17)       | 41075-1008  | AR       |
| WEIGHT,BALANCE,30G (Ref # 18)       | 41075-1009  | AR       |
| WEIGHT,BALANCE,5G (Ref # 19)        | 41075-1010  | AR       |