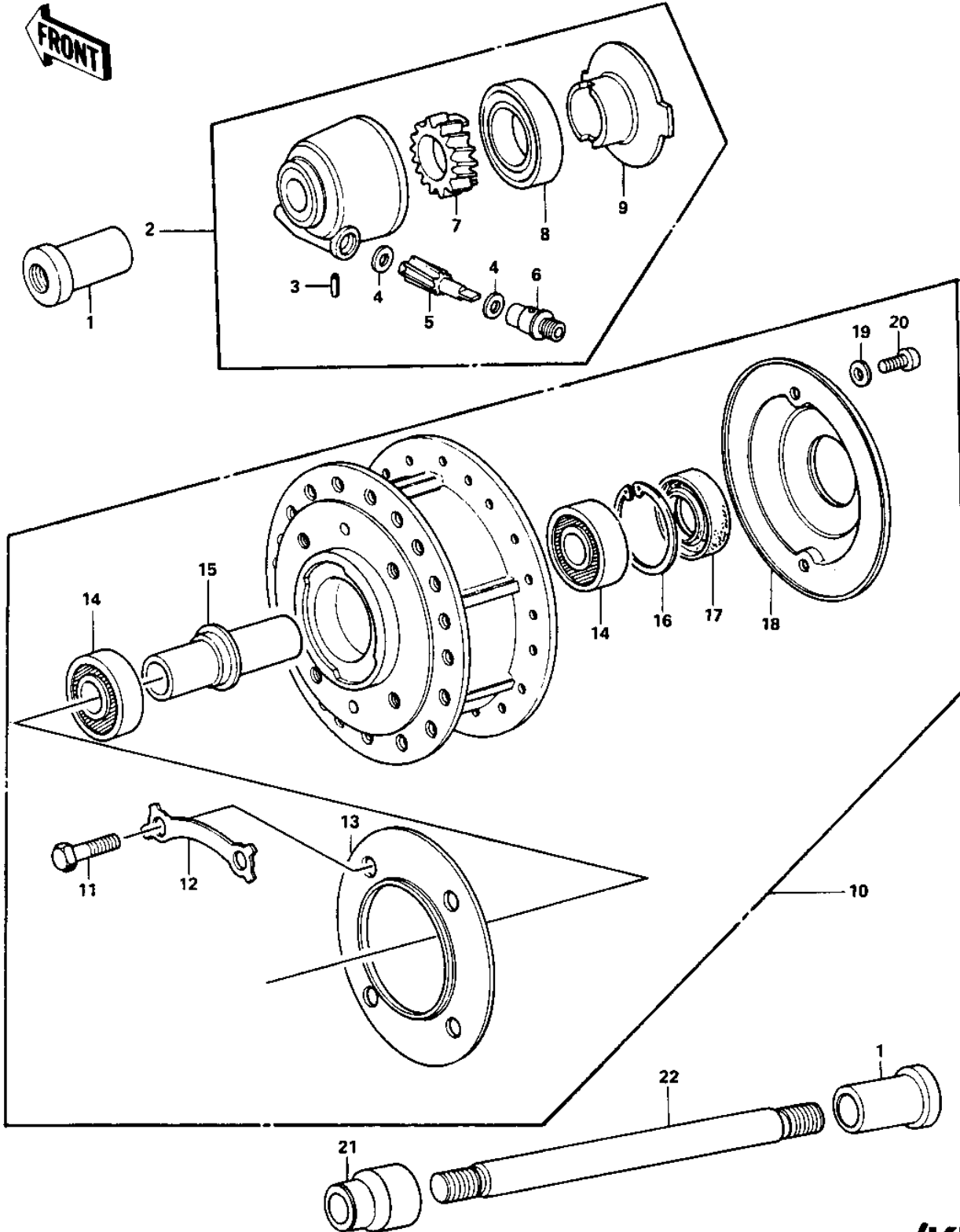


1969 Mach III PARTS DIAGRAM

FRONT HUB (KH500-A8)



(KH50

1969 Mach III PARTS LIST

FRONT HUB (KH500-A8)

| ITEM NAME | PART NUMBER | QUANTITY |
|---------------------------------|-------------|----------|
| COLLAR,FRONT AXLE (Ref # 1) | 41069-033 | 2 |
| GEAR BOX ASSY (Ref # 2) | 41078-008 | 1 |
| PIN,SPRING (Ref # 3) | 41082-001 | 1 |
| WASHER THRST SPD PINI (Ref # 4) | 41063-001 | 2 |
| PINION,SPEEDOMETER (Ref # 5) | 41060-017 | 1 |
| BUSH,SPEEDMETER CABLE (Ref # 6) | 41062-005 | 1 |
| GEAR,SPEEDOMETER (Ref # 7) | 41059-026 | 1 |
| OIL SEAL,BJN30427-C3 (Ref # 8) | 92049-1057 | 1 |
| RECEIVER,GEAR (Ref # 9) | 41064-013 | 1 |
| DRUM-ASSY,FR BRK (Ref # 10) | 41034-041 | 1 |
| BOLT (Ref # 11) | 92001-158 | 4 |
| WASHER,LOCK (Ref # 12) | 92088-023 | 2 |
| DUST COVER (Ref # 13) | 41042-014 | 1 |
| BEARING BALL #6203 (Ref # 14) | 601B6203 | 2 |
| COLLAR,BRG (Ref # 15) | 41039-028 | 1 |
| RING, SNAP,43.5M/M (Ref # 16) | 92033-1040 | 1 |
| OIL SEAL (Ref # 17) | 654A254008 | 1 |
| DUST COVER (Ref # 18) | 41042-016 | 1 |
| WASHER PLAIN 5MM (Ref # 19) | 410B0500 | 2 |
| SCREW PAN HEAD 5X12 (Ref # 20) | 220B0512 | 2 |
| COLLAR,FRONT AXLE (Ref # 21) | 41069-032 | 1 |
| AXLE,FRONT (Ref # 22) | 41068-049 | 1 |