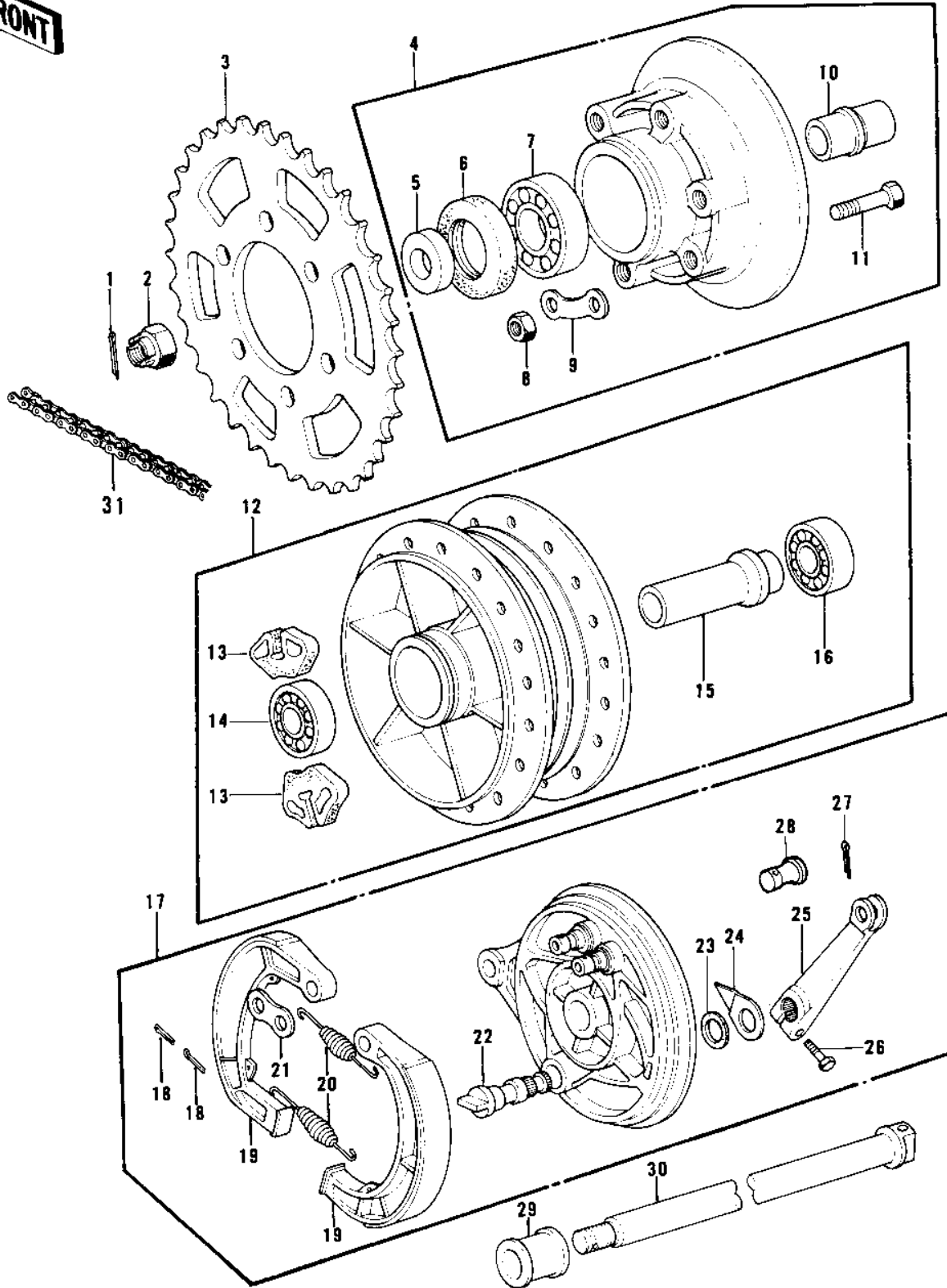


1969 Mach III PARTS DIAGRAM

REAR HUB/BRAKE/CHAIN (73-'75 D/E/F & 7)



1969 Mach III PARTS LIST

REAR HUB/BRAKE/CHAIN ('73-'75 D/E/F & '7

ITEM NAME	PART NUMBER	QUANTITY
PIN-COTTER,4.0X35 (Ref # 1)	550D4035	1
NUT CASTLE,16MM (Ref # 2)	92015-055	1
REAR SPROCKET 45T (Ref # 3)	42041-046	1
RR SPROCKET 43T (OPT) (Ref # 3)	42041-047	(1
RR SPROCKET 47T (OPT) (Ref # 3)	42041-077	(1
COUPLING ASSY,RR HUB (Ref # 4)	42008-014	1
COLLAR,RR AXLE SLEEVE (Ref # 5)	42037-022	1
OIL SEAL (Ref # 6)	92050-027	1
BEARING BALL #6305 (Ref # 7)	601B6305	1
NUT 10MM (Ref # 8)	42045-005	6
WASHER LOCK (Ref # 9)	92088-007	3
SLEEVE,RR HUB COUPLNG (Ref # 10)	42036-014	1
BOLT-REAR SPROCKET (Ref # 11)	92003-087	6
DRUM ASSY,RR BK,BUFF (Ref # 12)	42005-015-80	1
DAMPER REAR HUB SHOCK (Ref # 13)	42014-014	6
BEARING BALL #6303Z (Ref # 14)	601B6303Z	1
SPACER RR HUB BEARING (Ref # 15)	42010-014	1
BEARING BALL #6205Z (Ref # 16)	601B6205Z	1
PANEL-ASY,RR BRK,BUFF (Ref # 17)	42006-031-80	1
PANEL-ASY,RR BRK,BUFF (Ref # 17)	42006-061-80	1
PIN COTTER 3.0X25 (Ref # 18)	550D3025	2
SHOE,BRAKE (Ref # 19)	41048-013	2
SPRING,BRAKE SHOE (Ref # 20)	41049-012	2
SPRING,BRAKE SHOE (Ref # 20)	41049-012	2
WASHER-BRAKE SHOE (Ref # 21)	41045-006	1
CAM SHAFT-BRAKE (Ref # 22)	41050-011	1
CAM SHAFT,BRAKE (Ref # 22)	41050-017	1
DUST SHIELD-BRAKE CAM (Ref # 23)	41051-003	1
INDICATOR,BRAKE SHOE (Ref # 24)	41085-004	1

1969 Mach III PARTS LIST

REAR HUB/BRAKE/CHAIN ('73-'75 D/E/F & '7

ITEM NAME	PART NUMBER	QUANTITY
LEVER,REAR BRAKE CAM (Ref # 25)	42029-024	1
BOLT-SMALL-UPSET 8X25 (Ref # 26)	115G0825	1
PIN COTTER 2.5X25 (Ref # 27)	550D2525	1
PIN (Ref # 28)	92043-093	1
COLLAR REAR AXLE (Ref # 29)	42032-017	1
AXLE,REAR (Ref # 30)	42031-042	1
AXLE,REAR (Ref # 30)	42031-053	1
DR CHAIN 530X106 H1D (Ref # 31)	92057-038	1
CHAIN,530X106 SH-D (Ref # 31)	92057-1044	1
CHAIN,530X106 SH-D (Ref # 31)	92057-1044	1