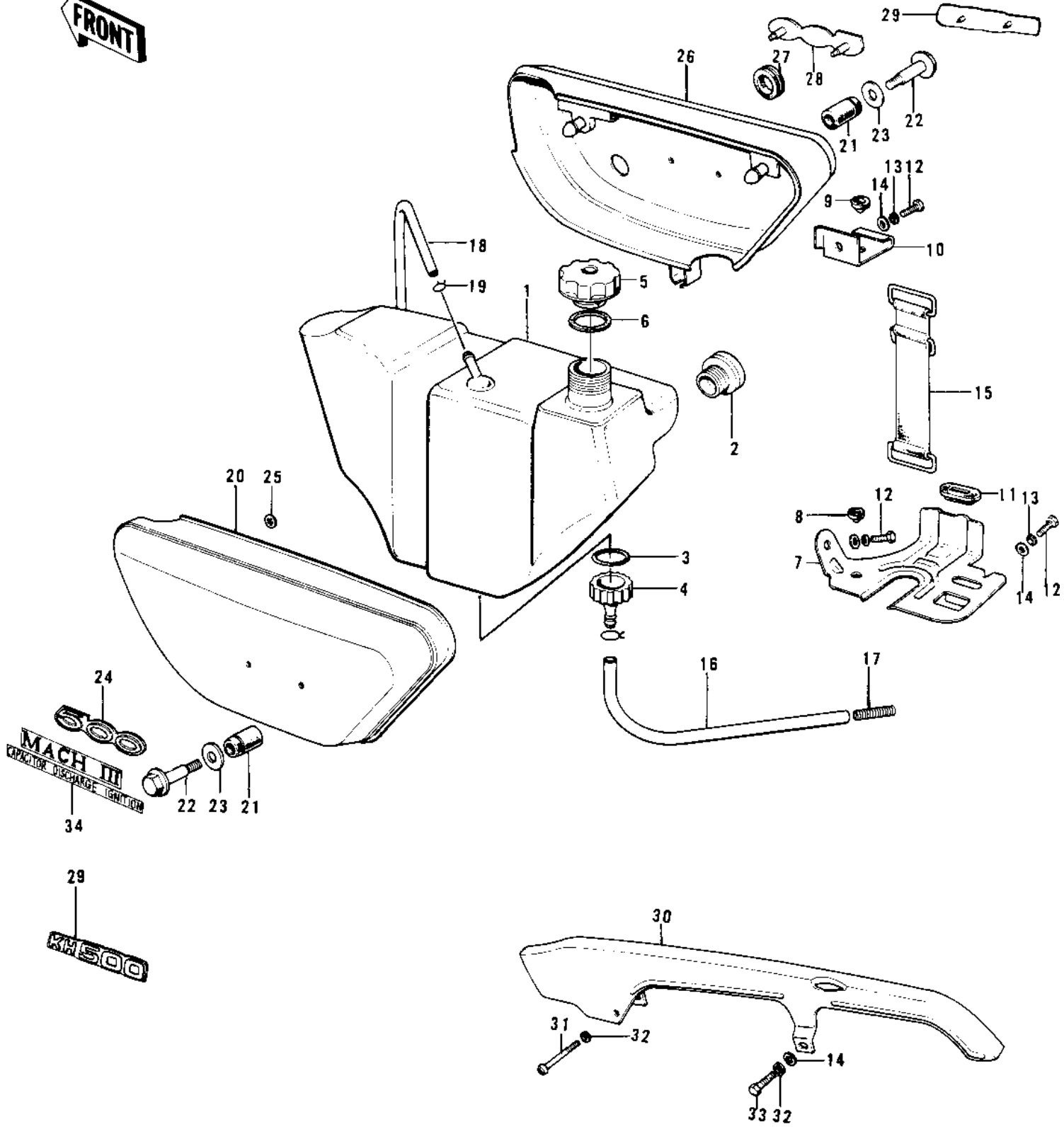


1969 Mach III PARTS DIAGRAM

SIDE COVERS/OIL TANK/CHAIN COVER ('73-7)



1969 Mach III PARTS LIST

SIDE COVERS/OIL TANK/CHAIN COVER ('73-'7

ITEM NAME	PART NUMBER	QUANTITY
TANK,OIL (Ref # 1)	52001-034	1
GAUGE-OIL LEVEL (Ref # 2)	52015-005	1
"O" RING,15MM (Ref # 3)	670B2015	1
FILTER-OIL (Ref # 4)	52020-001	1
CAP-OIL TANK (Ref # 5)	52003-019	1
GASKET-OIL TANK CAP (Ref # 6)	92065-085	1
PLATE,1.0T (Ref # 7)	31101-002	1
DAMPER RUBBER,PLATE (Ref # 8)	92075-183	1
DAMPER RUBBER (Ref # 9)	92075-078	1
PLATE,1.6T (Ref # 10)	32101-008	1
DAMPER RUBBER (Ref # 11)	92075-166	1
BOLT-UPSET 6X14 (Ref # 12)	112B0614	3
WASHER SPRING 6MM (Ref # 13)	461F0600	3
WASHER PLAIN 6MM (Ref # 14)	411B0600	4
BAND,OIL TANK (Ref # 15)	32100-017	1
PIPE,OIL (Ref # 16)	92059-082	1
SPRING PIPE CLAMP B (Ref # 17)	92081-027	1
TUBE-VINYL,5X600 (Ref # 18)	700Q05600	1
CLAMP-PIPE (Ref # 19)	92037-072	2
COVER,L.H SIDE,C.LIME (Ref # 20)	36001-037-77	1
COVER,L.H SIDE,C.RED (Ref # 20)	36001-037-1X	1
COVER,L.H SIDE,LIME (Ref # 20)	36001-037-1Y	1
COVER,L.H SIDE,BLUE (Ref # 20)	36001-037-2W	1
COVER,L.H SIDE,GOLD (Ref # 20)	36001-037-2X	1
COVER,L.H SIDE D.BURG (Ref # 20)	36001-037-3T	1
COVER,L.H SIDE,COPPER (Ref # 20)	36001-037-3U	1
DAMPER RUBBER,SID COV (Ref # 21)	92075-184	2
BOLT,SIDE COVER FITT (Ref # 22)	92007-034	2
WASHER PLAIN 8MM (Ref # 23)	411B0800	2

1969 Mach III PARTS LIST

SIDE COVERS/OIL TANK/CHAIN COVER ('73-'7)

ITEM NAME	PART NUMBER	QUANTITY
EMBLEM,L.H SIDE COVER (Ref # 24)	56018-146	1
EMBLEM,L.H SIDE COVER (Ref # 24)	56018-195	1
NUT,LOCK,5MM (Ref # 25)	92018-004	4
COVER,RH SIDE,C.LIME (Ref # 26)	36007-032-77	1
COVER,RH SIDE,C.RED (Ref # 26)	36007-032-1X	1
COVER,RH SIDE,LIME (Ref # 26)	36007-032-1Y	1
COVER,RH SIDE,BLUE (Ref # 26)	36007-032-2W	1
COVER,RH SIDE,GOLD (Ref # 26)	36007-032-2X	1
COVER,RH SIDE,D.BURG (Ref # 26)	36007-032-3T	1
COVER,RH SIDE,COPPER (Ref # 26)	36007-032-3U	1
GROMMET-R.H SIDE COV (Ref # 27)	92071-065	1
EMBLEM,R.H SIDE COVER (Ref # 28)	56018-147	1
EMBLEM,R.H SIDE COVER (Ref # 28)	56018-196	1
EMBLEM,SIDE COVER (Ref # 29)	56018-213	2
CASE-CHAIN,FR BLACK (Ref # 30)	36014-046-21	1
CASE-CHAIN (Ref # 30)	36014-053	1
SCREW PAN HEAD 6X50 (Ref # 31)	220E0650	1
WASHER SPRING 6MM (Ref # 32)	461F0600	2
BOLT,HEX HEAD,6X14 (Ref # 33)	92001-121	1
DECAL,SIDE COVER (Ref # 34)	56027-145-SP	2
DECAL,SIDE COVER (Ref # 34)	56027-197-SP	2
DECAL,SIDE COVER (Ref # 34)	56027-198-SP	2