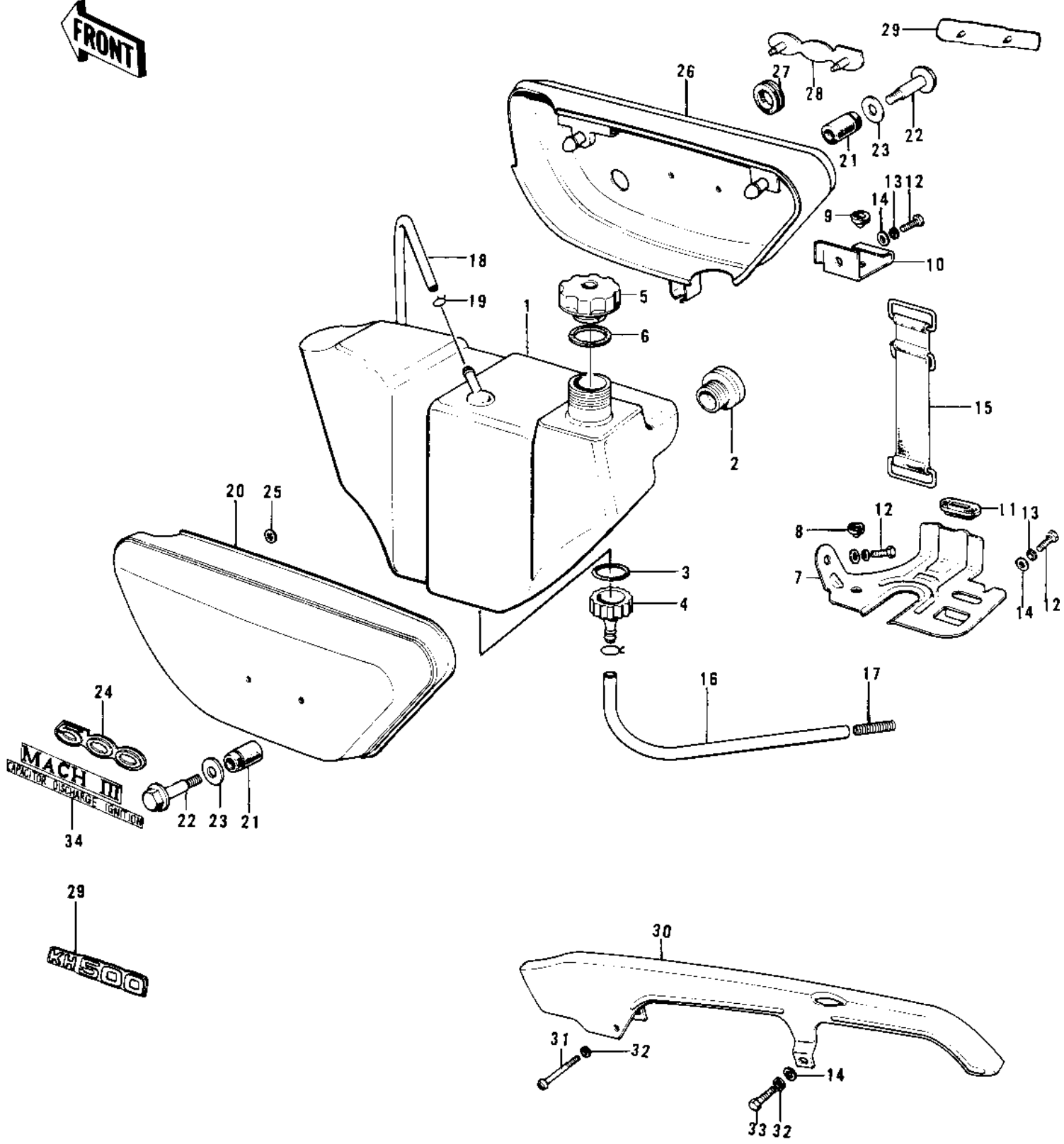


1973 H1-D PARTS DIAGRAM

SIDE COVERS/OIL TANK/CHAIN COVER ('73-'7)



1973 H1-D PARTS LIST

SIDE COVERS/OIL TANK/CHAIN COVER ('73-'7)

| ITEM NAME | PART NUMBER | QUANTITY |
|----------------------------------|--------------|----------|
| TANK,OIL (Ref # 1) | 52001-034 | 1 |
| GAUGE-OIL LEVEL (Ref # 2) | 52015-005 | 1 |
| "O" RING,15MM (Ref # 3) | 670B2015 | 1 |
| FILTER-OIL (Ref # 4) | 52020-001 | 1 |
| CAP-OIL TANK (Ref # 5) | 52003-019 | 1 |
| GASKET-OIL TANK CAP (Ref # 6) | 92065-085 | 1 |
| PLATE,1.0T (Ref # 7) | 31101-002 | 1 |
| DAMPER RUBBER,PLATE (Ref # 8) | 92075-183 | 1 |
| DAMPER RUBBER (Ref # 9) | 92075-078 | 1 |
| PLATE,1.6T (Ref # 10) | 32101-008 | 1 |
| DAMPER RUBBER (Ref # 11) | 92075-166 | 1 |
| BOLT-UPSET 6X14 (Ref # 12) | 112B0614 | 3 |
| WASHER SPRING 6MM (Ref # 13) | 461F0600 | 3 |
| WASHER PLAIN 6MM (Ref # 14) | 411B0600 | 4 |
| BAND,OIL TANK (Ref # 15) | 32100-017 | 1 |
| PIPE,OIL (Ref # 16) | 92059-082 | 1 |
| SPRING PIPE CLAMP B (Ref # 17) | 92081-027 | 1 |
| TUBE-VINYL,5X600 (Ref # 18) | 700Q05600 | 1 |
| CLAMP-PIPE (Ref # 19) | 92037-072 | 2 |
| COVER,L.H SIDE,C.LIME (Ref # 20) | 36001-037-77 | 1 |
| COVER,L.H SIDE,C.RED (Ref # 20) | 36001-037-1X | 1 |
| COVER,L.H SIDE,LIME (Ref # 20) | 36001-037-1Y | 1 |
| COVER,L.H SIDE,BLUE (Ref # 20) | 36001-037-2W | 1 |
| COVER,L.H SIDE,GOLD (Ref # 20) | 36001-037-2X | 1 |
| COVER,L.H SIDE D.BURG (Ref # 20) | 36001-037-3T | 1 |
| COVER,L.H SIDE,COPPER (Ref # 20) | 36001-037-3U | 1 |
| DAMPER RUBBER,SID COV (Ref # 21) | 92075-184 | 2 |
| BOLT,SIDE COVER FITT (Ref # 22) | 92007-034 | 2 |
| WASHER PLAIN 8MM (Ref # 23) | 411B0800 | 2 |

1973 H1-D PARTS LIST

SIDE COVERS/OIL TANK/CHAIN COVER ('73-'7)

| ITEM NAME | PART NUMBER | QUANTITY |
|----------------------------------|--------------|----------|
| EMBLEM,L.H SIDE COVER (Ref # 24) | 56018-146 | 1 |
| EMBLEM,L.H SIDE COVER (Ref # 24) | 56018-195 | 1 |
| NUT,LOCK,5MM (Ref # 25) | 92018-004 | 4 |
| COVER,RH SIDE,C.LIME (Ref # 26) | 36007-032-77 | 1 |
| COVER,RH SIDE,C.RED (Ref # 26) | 36007-032-1X | 1 |
| COVER,RH SIDE,LIME (Ref # 26) | 36007-032-1Y | 1 |
| COVER,RH SIDE,BLUE (Ref # 26) | 36007-032-2W | 1 |
| COVER,RH SIDE,GOLD (Ref # 26) | 36007-032-2X | 1 |
| COVER,RH SIDE,D.BURG (Ref # 26) | 36007-032-3T | 1 |
| COVER,RH SIDE,COPPER (Ref # 26) | 36007-032-3U | 1 |
| GROMMET-R.H SIDE COV (Ref # 27) | 92071-065 | 1 |
| EMBLEM,R.H SIDE COVER (Ref # 28) | 56018-147 | 1 |
| EMBLEM,R.H SIDE COVER (Ref # 28) | 56018-196 | 1 |
| EMBLEM,SIDE COVER (Ref # 29) | 56018-213 | 2 |
| CASE-CHAIN,FR BLACK (Ref # 30) | 36014-046-21 | 1 |
| CASE-CHAIN (Ref # 30) | 36014-053 | 1 |
| SCREW PAN HEAD 6X50 (Ref # 31) | 220E0650 | 1 |
| WASHER SPRING 6MM (Ref # 32) | 461F0600 | 2 |
| BOLT,HEX HEAD,6X14 (Ref # 33) | 92001-121 | 1 |
| DECAL,SIDE COVER (Ref # 34) | 56027-145-SP | 2 |
| DECAL,SIDE COVER (Ref # 34) | 56027-197-SP | 2 |
| DECAL,SIDE COVER (Ref # 34) | 56027-198-SP | 2 |