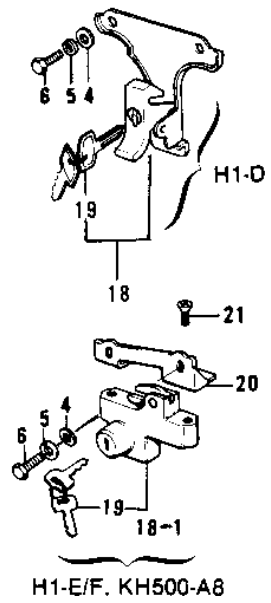
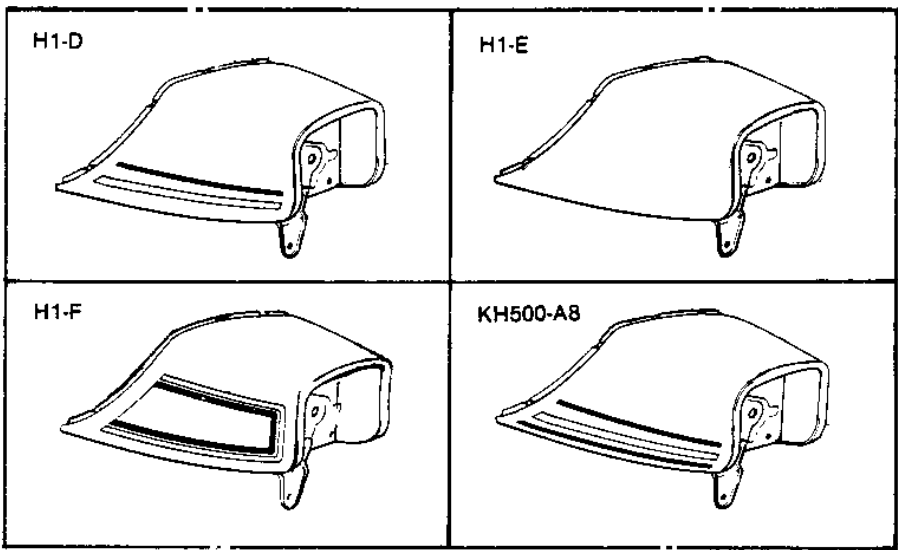
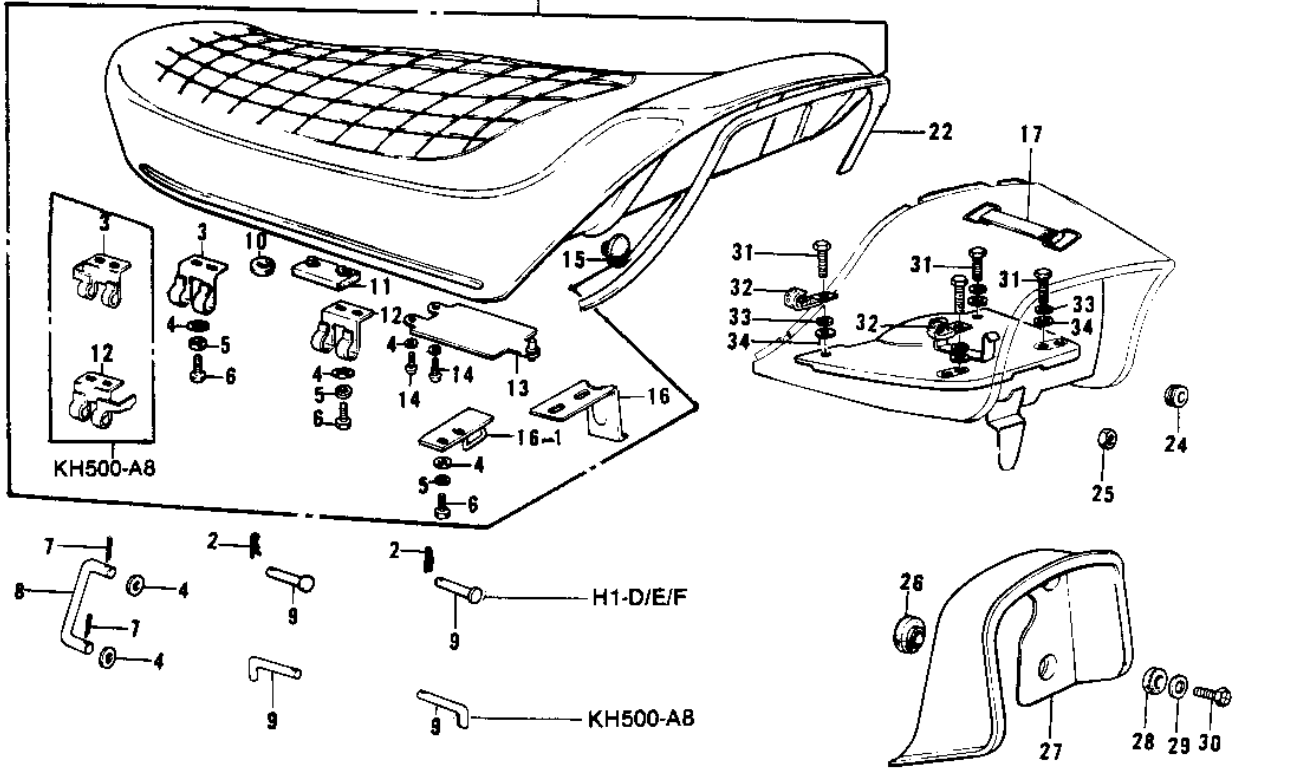


# 1969 Mach III PARTS DIAGRAM

SEAT/SEAT COVER ('73-'75 D/E/F & '76 A8)



# 1969 Mach III PARTS LIST

SEAT/SEAT COVER ('73-'75 D/E/F & '76 A8)

ITEM NAME	PART NUMBER	QUANTITY
SEAT-ASSY,DUAL (Ref # 1)	53001-079	1
SEAT-ASSY,DUAL (Ref # 1)	53001-097	1
SEAT-ASSY,DUAL (Ref # 1)	53001-115	1
COTTER PIN (Ref # 2)	92041-003	2
HINGE-SEAT (Ref # 3)	53009-021	1
HINGE,FRONT (Ref # 3)	53009-033	1
WASHER PLAIN 6MM (Ref # 4)	410B0600	12
WASHER SPRING 6MM (Ref # 5)	461F0600	6
BOLT-UPSET 6X14 (Ref # 6)	112B0614	6
PIN COTTER 1.6X15 (Ref # 7)	550D1615	2
COTTER PIN (Ref # 7)	92041-003	2
PIN,COTER (Ref # 7)	92041-006	2
STAND,SEAT (Ref # 8)	53054-002	1
PIN (Ref # 9)	53011-002	2
PIN,SEAT PIVOT (Ref # 9)	92043-1064	2
PIN,SEAT PIVOT (Ref # 9)	92043-1064	2
GROMMET (Ref # 10)	92071-056	1
DAMPER RUBBER,SEAT (Ref # 11)	92075-139	3
HINGE (Ref # 12)	53009-022	1
HINGE,REAR (Ref # 12)	53009-034	1
CASE (Ref # 13)	32099-011	1
SCREW PAN HEAD 6X14 (Ref # 14)	220B0614	2
DAMPER RUBBER (Ref # 15)	92075-099	1
HOOK (Ref # 16)	53008-018	1
HOOK,SEAT (Ref # 16-1)	53008-025	1
BAND TOOL (Ref # 17)	92072-012	1
HOOK ASSY (Ref # 18)	53045-004	1
LOCK ASSY,SEAT (Ref # 18-1)	53045-013	1
KEY SET,#265 (Ref # 19)	27018-016-65	AR

# 1969 Mach III PARTS LIST

SEAT/SEAT COVER ('73-'75 D/E/F & '76 A8)

ITEM NAME	PART NUMBER	QUANTITY
KEY SET,#279 (Ref # 19)	27018-016-79	AR
KEY SET,#911 (Ref # 19)	27008-055-11	AR
KEY SET,#925 (Ref # 19)	27008-055-25	AR
BRACKET,HOOK (Ref # 20)	53010-005	1
SCREW CNTSNK HD 6X12 (Ref # 21)	221B0612	2
MOLE (Ref # 22)	53044-004	1
BACK REST,C.LIME (Ref # 23)	53043-006-77	1
BACK REST,C.RED (Ref # 23)	53043-006-1X	1
BACK REST,C.LIME (Ref # 23)	53043-006-1Y	1
BACK REST,C.BLUE (Ref # 23)	53043-006-2W	1
BACK REST, C.GOLD (Ref # 23)	53043-006-2X	1
BACKREST,DEEP.BURGUN (Ref # 23)	53043-006-3T	1
BACK REST,COPPER (Ref # 23)	53043-006-3U	1
GROMMET,WIRING HARNES (Ref # 24)	92071-070	1
NUT 6MM (Ref # 25)	311B0600	4
DAMPER RUBBER (Ref # 26)	92075-169	4
COVER,BACK REST (Ref # 27)	53057-002	1
DAMPER RUBBER (Ref # 28)	92075-168	4
WASHER-PLAIN,7MM (Ref # 29)	92022-240	4
SCREW-PAN HEAD,6X30 (Ref # 30)	92011-030	4
BOLT-SMALL-UPSET,8X18 (Ref # 31)	115G0818	4
CLAMP,HARNESS (Ref # 32)	92037-113	2
WASHER SPRING 8MM (Ref # 33)	461F0800	4
WASHER PLAIN 8MM (Ref # 34)	411B0800	4