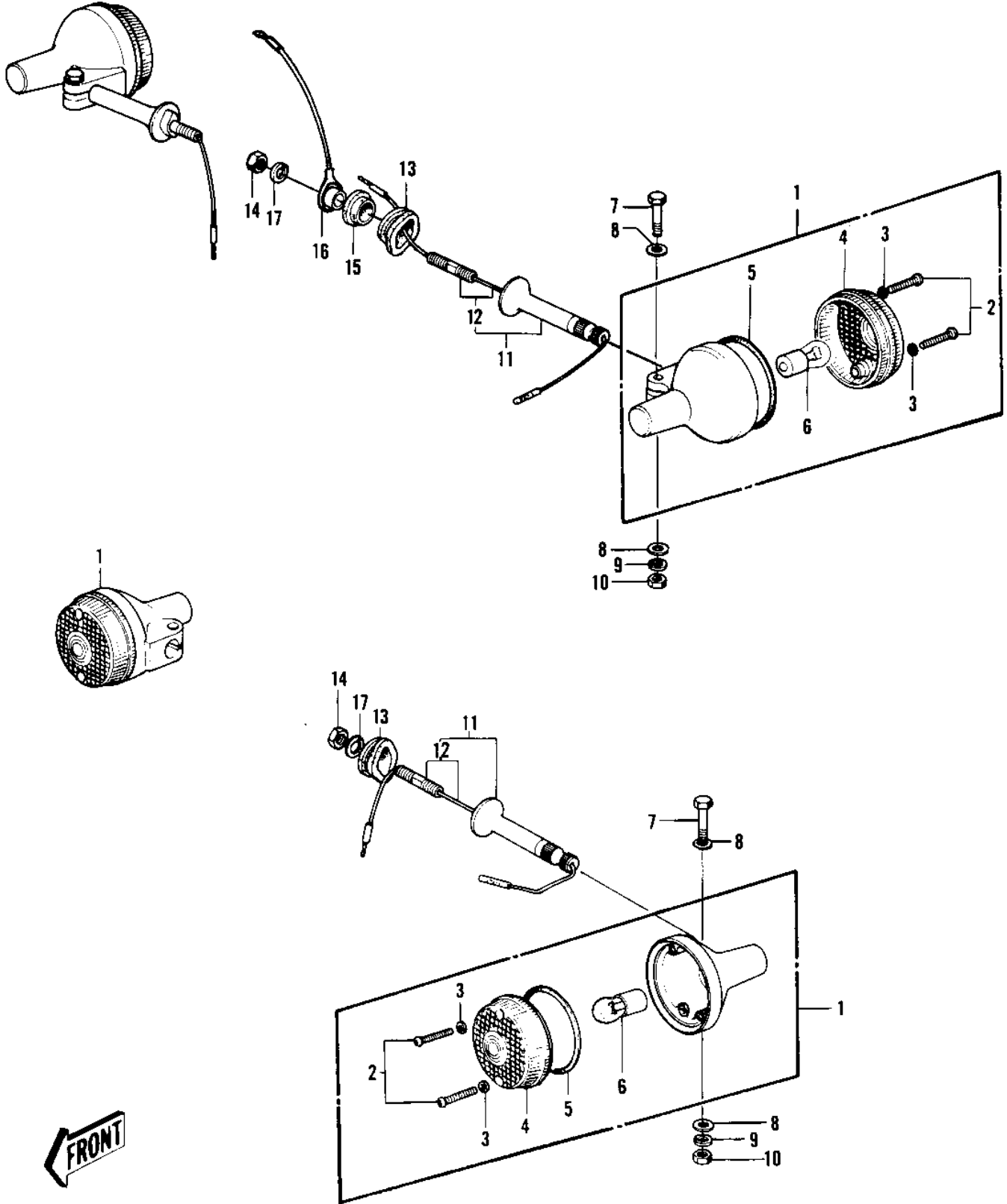


# 1969 Mach III PARTS DIAGRAM

TURN SIGNALS ('73-'75 D/E/F & '76 A8)



# 1969 Mach III PARTS LIST

TURN SIGNALS ('73-'75 D/E/F & '76 A8)

ITEM NAME	PART NUMBER	QUANTITY
LAMP ASSY-TURN SIGNAL (Ref # 1)	23040-037	4
SCREW-PAN HEAD,4X20 (Ref # 2)	220E0420A	8
WASHER-PLAIN,4MM (Ref # 3)	23058-002	8
LENS,TURN SIGNAL LAMP (Ref # 4)	23048-1001	4
GASKET-SIG LAMP LENS (Ref # 5)	23050-003	4
BULB 12V 32CP (Ref # 6)	92069-055	4
BOLT-UPSET (Ref # 7)	112G0630	4
WASHER-PLAIN,6MM (Ref # 8)	411D0600	8
WASHER SPRING 6MM (Ref # 9)	461F0600	4
NUT,6MM (Ref # 10)	311N0600	4
BRACKET-TURN SIG LAMP (Ref # 11)	23078-001	4
BOLT SET-SIG LAMP BKT (Ref # 12)	23073-001	4
DAMPER RUBBER (Ref # 13)	92075-128	4
NUT 10MM (Ref # 14)	315B1000	4
DAMPER RUBBER,SIG LM (Ref # 15)	92075-158	2
COLLAR (Ref # 16)	23076-003	2
WASHER SPRING 10MM (Ref # 17)	461F1000	2