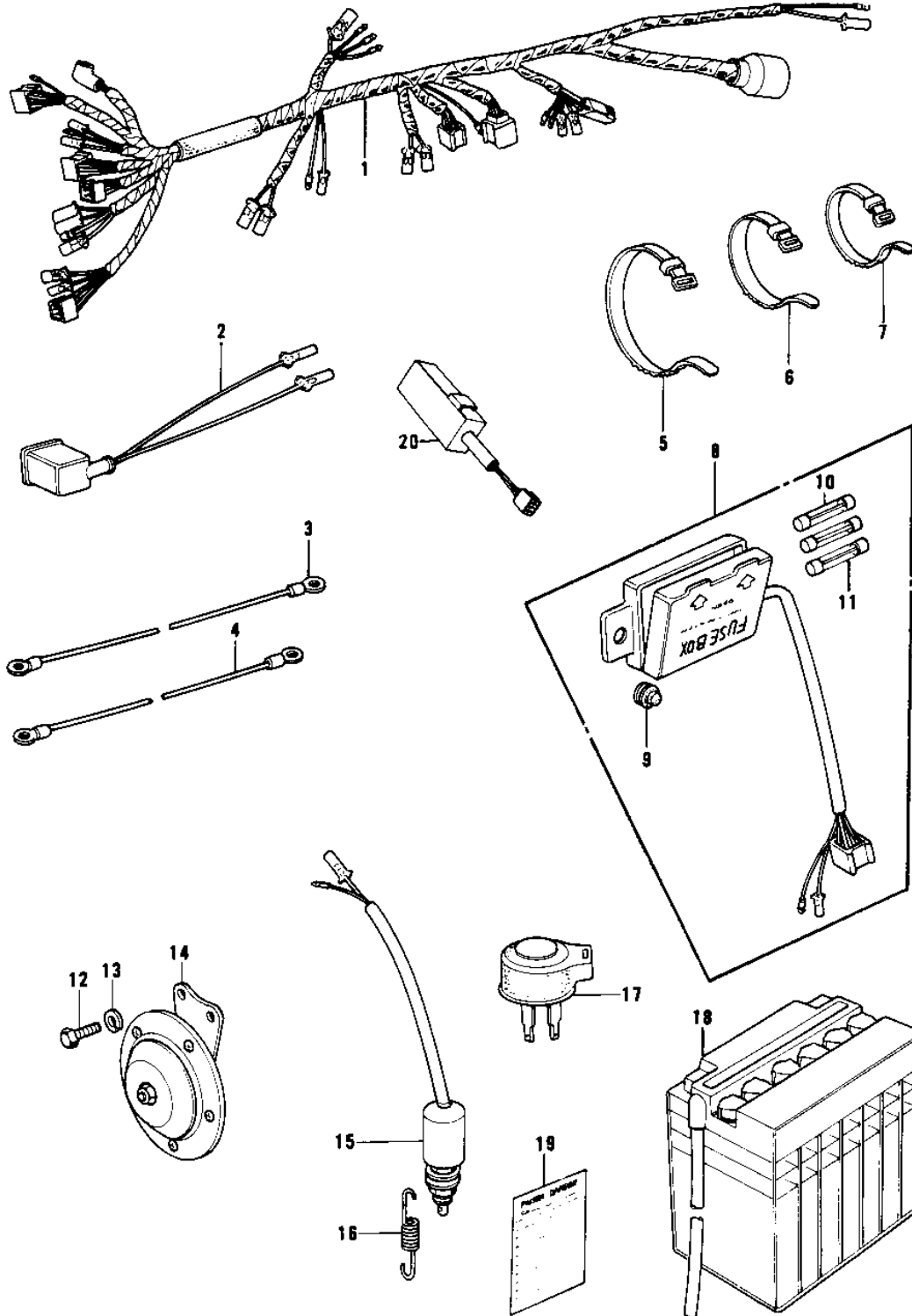


1971 H1-B PARTS DIAGRAM

CHASSIS ELECTRICAL EQUIPMENT (KH500-A8)



(KH500)

1971 H1-B PARTS LIST

CHASSIS ELECTRICAL EQUIPMENT (KH500-A8)

ITEM NAME	PART NUMBER	QUANTITY
WIRING HARNESS,MAIN (Ref # 1)	26001-131	1
WIRE,LEAD (Ref # 2)	26011-092	1
WIRE-GROUND LEAD (Ref # 3)	26010-023	1
WIRE-LEAD (Ref # 4)	26011-084	1
BAND,WIRING HARNESS (Ref # 5)	92072-056	5
BAND,MIDDLE (Ref # 6)	92072-031	5
BAND,SHORT (Ref # 7)	92072-030	4
FUSE ASSY (Ref # 8)	26004-035	1
DAMPER RUBBER,FUSE (Ref # 9)	92075-279	1
FUSE-20A (Ref # 10)	26006-005	3
FUSE 10A (Ref # 11)	26006-003	2
BOLT-SMALL-UPSET,8X18 (Ref # 12)	115G0818	2
WASHER SPRING 8MM (Ref # 13)	461F0800	2
HORN (Ref # 14)	27003-047	1
SWITCH-BRAKE LAMP (Ref # 15)	27010-015	1
SPRING,BRAKE LAMP SN (Ref # 16)	27011-017	1
RELAY-TURN SIGNAL (Ref # 17)	27002-011	1
YUA BAT 12N9-3B (Ref # 18)	26012-039	1
LABEL-WARNING,BATTERY (Ref # 19)	56040-1036	1
SWITCH,OUTAGE,INDICTR (Ref # 20)	28019-001	1