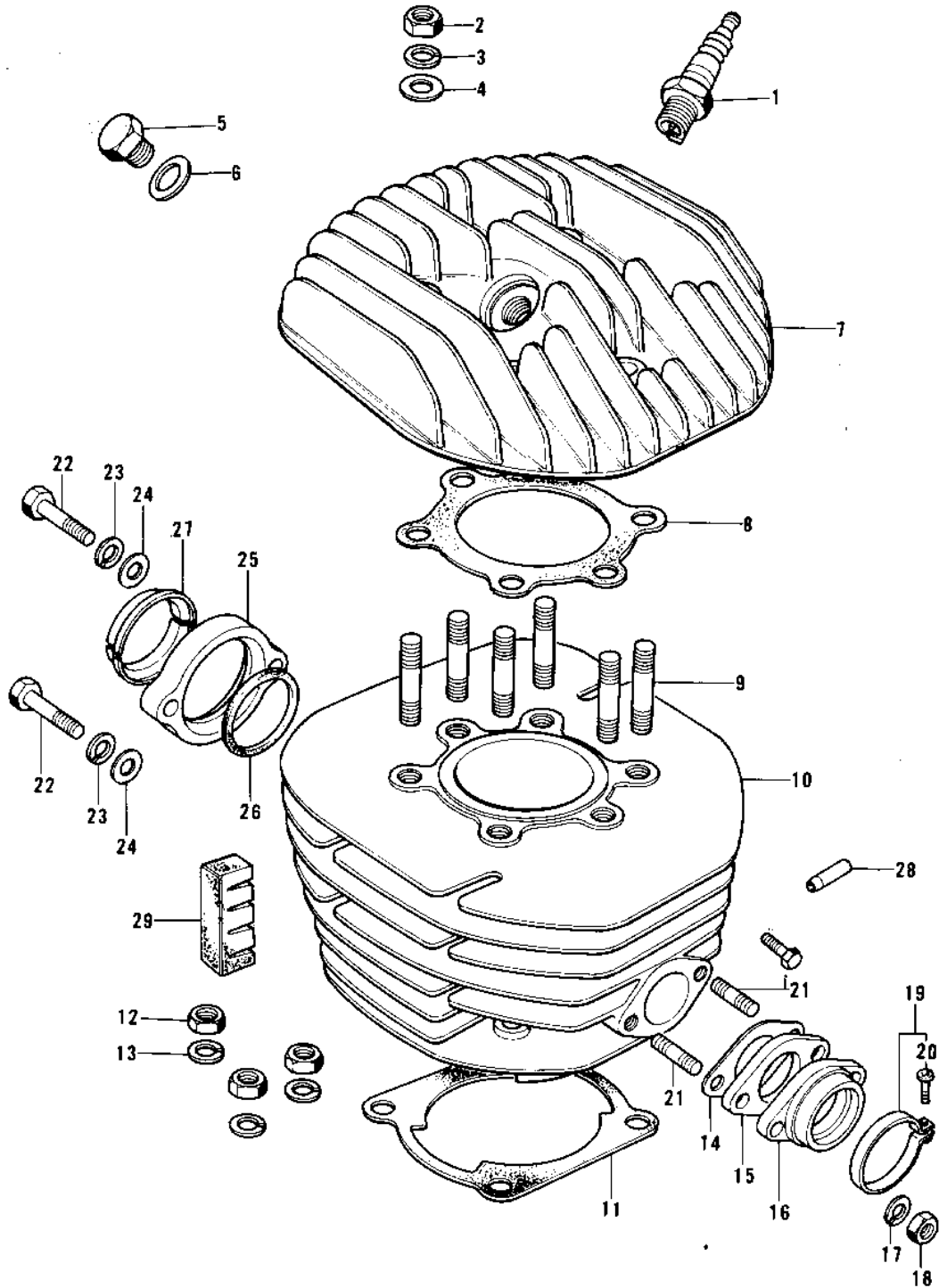


# 1975 KT250-A PARTS DIAGRAM

CYLINDER HEAD/CYLINDER



# 1975 KT250-A PARTS LIST

## CYLINDER HEAD/CYLINDER

ITEM NAME	PART NUMBER	QUANTITY
SPARK PLUG B7HS (Ref # 1)	B7HS	1
NUT,8MM (Ref # 2)	311B0800	6
WASHER SPRING 8MM (Ref # 3)	461F0800	6
WASHER PLAIN 8MM (Ref # 4)	410B0800	6
PLUG-CYLINDER HEAD (Ref # 5)	92067-005	1
GASKET-CYL HEAD PLUG (Ref # 6)	92065-068	1
CYLINDER HEAD,BUFF (Ref # 7)	11001-106-80	1
GASKET,CYLINDER HEAD (Ref # 8)	11004-072	1
STUD 8X40 (Ref # 9)	172G0840	6
STUD,8X35 (Ref # 9)	92004-1009	6
CYLINDER,BUFF (Ref # 10)	11005-151-80	1
GASKET,CYLINDER BASE (Ref # 11)	11009-038	1
NUT,10MM (Ref # 12)	317B1000	4
WASHER SPRING 10MM (Ref # 13)	461F1000	4
GASKET,AIR INLET (Ref # 14)	16062-019	1
INSULATOR,HEAT (Ref # 15)	16061-017	1
HOLDER,CARBURETOR (Ref # 16)	16065-031	1
WASHER SPRING 8MM (Ref # 17)	461F0800	2
NUT 8MM (Ref # 18)	318B0800	2
CLAMP,HOLDER (Ref # 19)	92037-077	1
SCREW-PAN-CROS,5X25 (Ref # 20)	220B0525	2
STUD,8X16 (Ref # 21)	172G0816	2
BOLT (Ref # 21)	120P0816	2
BOLT,FLANGED,8X35 (Ref # 22)	92001-1577	2
BOLT HEX HEAD 8X35 (Ref # 22)	116B0835	AL
WASHER SPRING 8MM (Ref # 23)	461F0800	2
WASHER PLAIN 8MM (Ref # 24)	410B0800	2
HOLDER,EXHAUST PIPE (Ref # 25)	18069-058	1
GASKET,EX PIPE HOLDER (Ref # 26)	18050-009	1