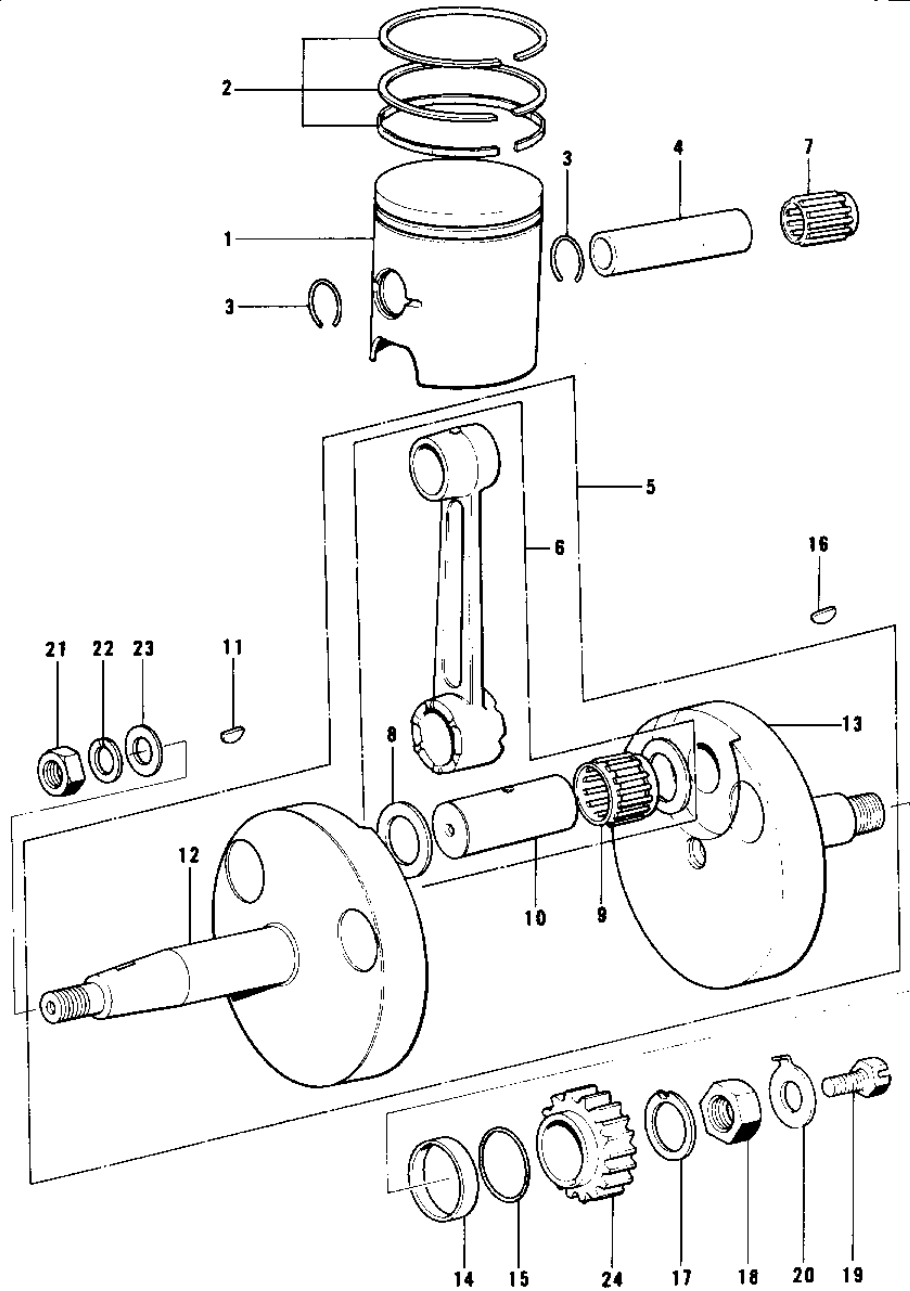


# 1976 Trial PARTS DIAGRAM

## CRANKCASE



# 1976 Trial PARTS LIST

## CRANKCASE

ITEM NAME	PART NUMBER	QUANTITY
CRANKCASE SET (Ref # 1)	14001-067	
STUD,10X25 (Ref # 2)	172G1025	
HOLDER,CRANK BEARING (Ref # 3)	14014-030	
HOLDER,CRANK BEARING (Ref # 4)	14014-031	
SCREW CNTSNK HD 6X14 (Ref # 5)	221B0614	
SCREW PAN HEAD 6X14 (Ref # 6)	220B0614	
CLAMP CABLE (Ref # 7)	92037-016	
SCREW PAN HEAD 6X45 (Ref # 8)	220B0645	
SCREW PAN HEAD 6X65 (Ref # 9)	220B0665	
SCREW PAN HEAD 6X70 (Ref # 10)	220B0670	
PIN,DOWEL,10X8.2X14 (Ref # 11)	92043-1037	
OIL SEAL,TB25457 (Ref # 12)	653B254507	
OIL SEAL TB32457 (Ref # 13)	653B324507	
BEARING,BALL,#6305 (Ref # 14)	92045-030	
CAP,CRANKCASE HOLE (Ref # 15)	92073-025	
BEARING BALL #6204 (Ref # 16)	601B6204	
BEARING BALL #6205 (Ref # 17)	601B6205	
OIL SEAL TB3040 (Ref # 18)	92050-033	
GROMMET,L.H CRANKCASE (Ref # 19)	92071-089	
BREATHER ASSY (Ref # 20)	14069-1001	
TUBE,6X9X750 (Ref # 21)	92059-1372	
GROMMET (Ref # 22)	92071-042	
BEARING,NEEDLE,344012 (Ref # 23)	92046-040	
OIL SEAL,TB13225.5 (Ref # 24)	92051-005	