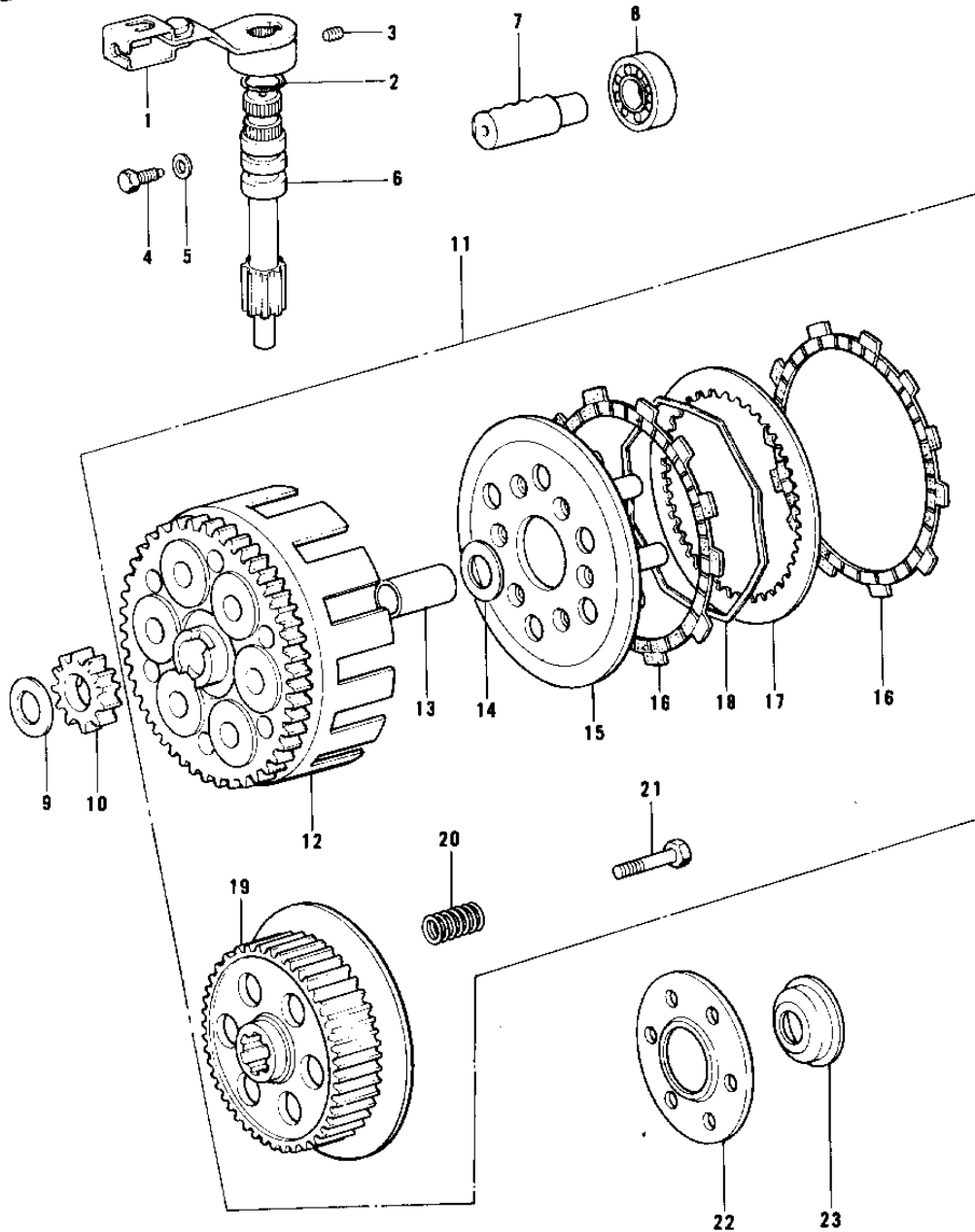


1976 Trial PARTS DIAGRAM

CLUTCH



1976 Trial PARTS LIST

CLUTCH

ITEM NAME	PART NUMBER	QUANTITY
LEVER,CLUTCH RELEASE (Ref # 1)	13102-024	
"0" RING, 10MM (Ref # 2)	670B2010	
SCREW,CLUTCH RELEASE (Ref # 3)	92013-005	
BOLT,CLUTCH RELEASE (Ref # 4)	92003-130	
GASKET,R.H ENG COVER (Ref # 5)	92065-092	
SHAFT,CLUTCH RELEASE (Ref # 6)	13106-009	
ROD,CLUTCH PUSH (Ref # 7)	13116-025	
BEARING,BALL #627 (Ref # 8)	92045-026	
WASHER,CLUTCH (Ref # 9)	92022-031	
PINION,KICK GEAR 16T (Ref # 10)	13075-011	
CLUTCH-ASSY (Ref # 11)	13081-076	
HOUSING,CLUTCH (Ref # 12)	13095-047	
BUSHING,CLUTCH (Ref # 13)	92028-173	
WASHER,CLUTCH THRUST (Ref # 14)	92022-282	
WHEEL,CLUTCH (Ref # 15)	13086-017	
PLATE-FRICTION (Ref # 16)	13088-1015	
PLATE CLUTCH STEEL (Ref # 17)	13089-003	
RING-CLUTCH STEEL (Ref # 18)	13229-002	
HUB,CLUTCH (Ref # 19)	13087-041	
SPRING,CLUTCH (Ref # 20)	92081-123	
BOLT,5X18 (Ref # 21)	92003-078	
HOLDER,CLUTCH (Ref # 22)	13091-015	
PUSHER,CLUTCH RELEASE (Ref # 23)	13114-008	