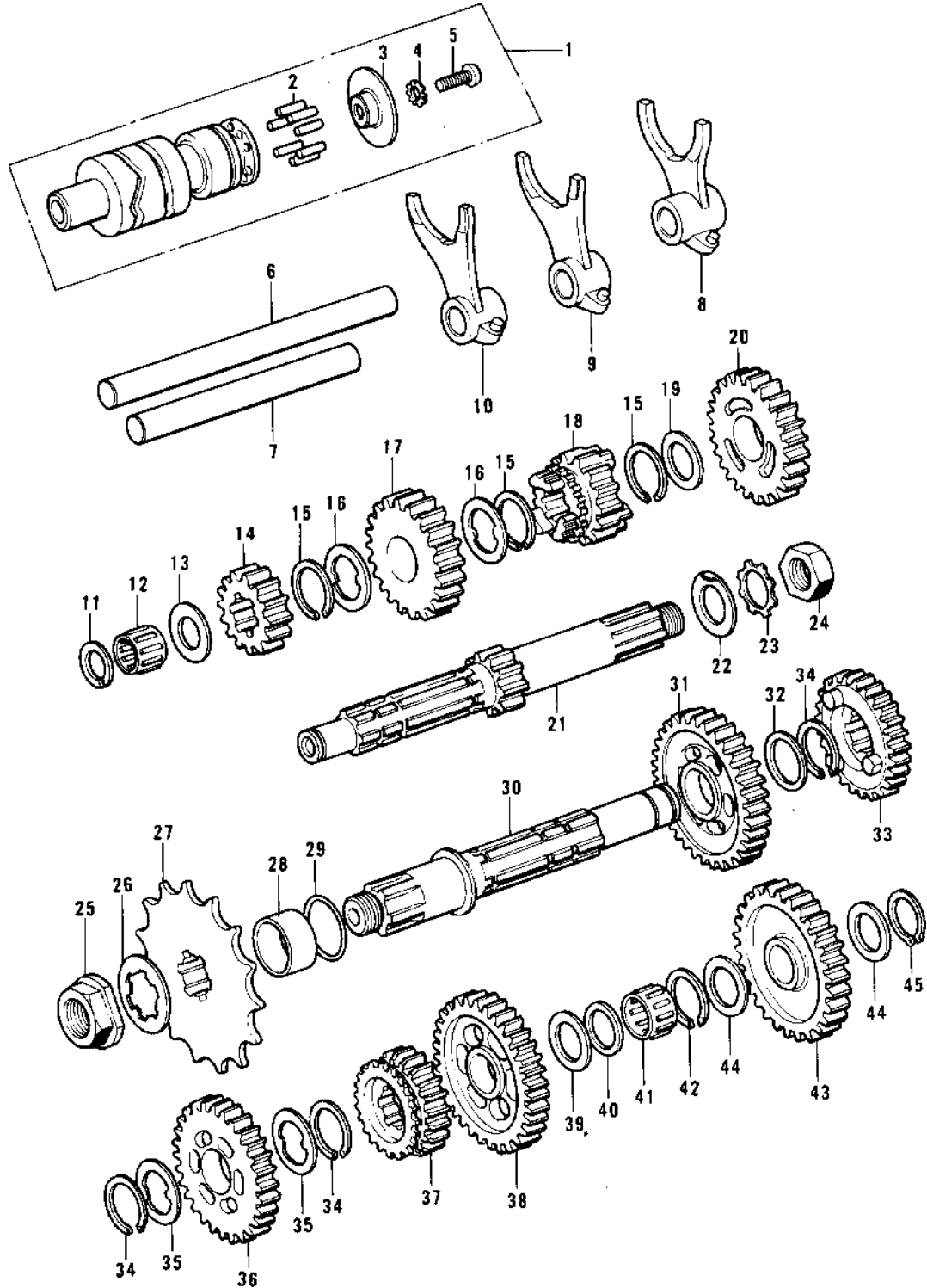


# 1976 Trial PARTS DIAGRAM

## TRANSMISSION/CHANGE DRUM



# 1976 Trial PARTS LIST

## TRANSMISSION/CHANGE DRUM

ITEM NAME	PART NUMBER	QUANTITY
DRUM ASSY-CHANGE (Ref # 1)	13239-016	
PIN,CHANG DRUM (Ref # 2)	92042-029	
HOLDER,CHANGE DRUM (Ref # 3)	13142-014	
WASHER LOCK 6MM (Ref # 4)	464H0600	
SCREW PAN HEAD 6X14 (Ref # 5)	220B0614	
ROD,SHIFT 93.7M/M (Ref # 6)	49047-1003	
ROD,SHIFT 71.7M/M (Ref # 7)	49047-1002	
FORK,SELECTOR,LOW (Ref # 8)	13140-061	
FORK,SELECTOR,2ND&3RD (Ref # 9)	13140-062	
FORK,SELECTOR,4TH&TOP (Ref # 10)	13140-063	
CIRCLIP,DRIVE SHAFT (Ref # 11)	92033-030	
BEARING,BALL (Ref # 12)	92046-038	
WASHER,THRUST,15MM (Ref # 13)	92022-279	
2ND GEAR,DRIVE 15T (Ref # 14)	13130-040	
CIRCLIP,18MM (Ref # 15)	92033-029	
WASHER,LOCK (Ref # 16)	92024-059	
4TH GEAR,DRIVE 23T (Ref # 17)	13134-022	
3RD GEAR (Ref # 18)	13132-042	
WASHER (Ref # 19)	92022-252	
TOP GEAR (Ref # 20)	13136-055	
SHAFT,DRIVE 12T (Ref # 21)	13127-050	
WASHER,16.8X32X1.6 (Ref # 22)	92022-1277	
WASHER,LOCK,16MM (Ref # 23)	464H1600	
NUT,LOCK,16MM (Ref # 24)	92015-072	
NUT,18MM (Ref # 25)	92015-075	
WASHER,LOCK (Ref # 26)	92024-065	
ENGINE SPROCKET,15T (Ref # 27)	13144-064	
ENGINE SPROCKET 14T (Ref # 27)	13144-059	
ENGINE SPROCKET,13T (Ref # 27)	13144-067	

# 1976 Trial PARTS LIST

## TRANSMISSION/CHANGE DRUM

ITEM NAME	PART NUMBER	QUANTITY
COLLAR,ENGINE SPROCKT (Ref # 28)	92027-236	
"O" RING (Ref # 29)	92055-035	
SHAFT,OUTPUT (Ref # 30)	13128-043	
2ND GEAR,OUTPUT 37T (Ref # 31)	13131-047	
WASHER-PLAIN (Ref # 32)	92022-198	
4TH GEAR,OUTPUT 28T (Ref # 33)	13135-028	
CIRCLIP,25MM (Ref # 34)	92033-025	
WASHER-LOCK (Ref # 35)	92024-039	
3RD GEAR,OUTPUT.33T (Ref # 36)	13133-039	
TOP GEAR,OUTPUT 22T (Ref # 37)	13137-033	
LOW GEAR,OUTPUT 39T (Ref # 38)	13129-055	
WASHER,PLAIN (Ref # 39)	92022-280	
WASHER,PLAIN (Ref # 40)	92022-281	
BEARING-NEEDLE (Ref # 41)	92046-1184	
CIRCLIP,16MM (Ref # 42)	92033-032	
IDLE GEAR 28T (Ref # 43)	13073-012	
WASHER-THRUST (Ref # 44)	92022-197	
CIRCLIP 16MM (Ref # 45)	480J1600	