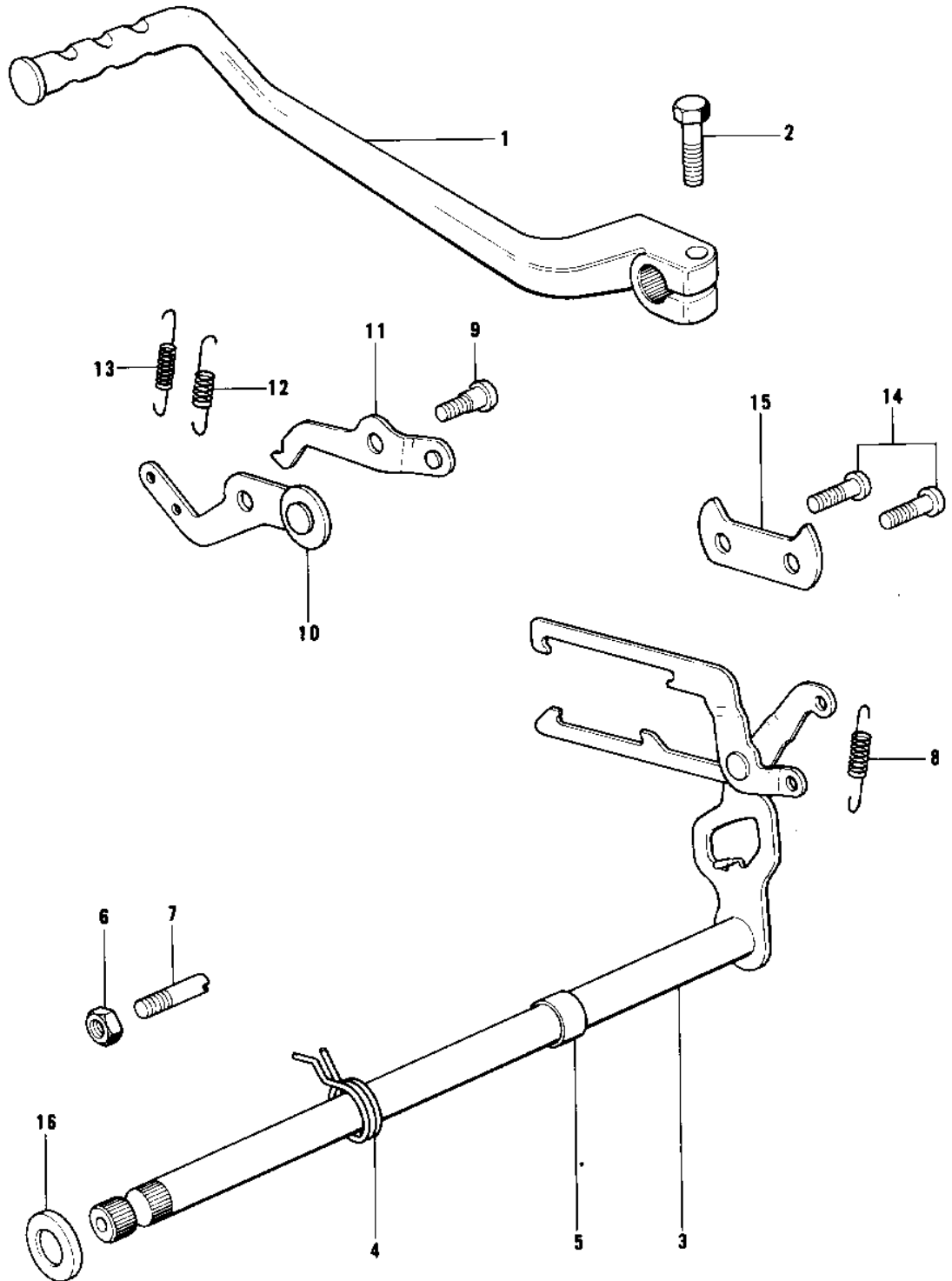


# 1975 KT250-A PARTS DIAGRAM

## GEAR CHANGE MECHANISM



# 1975 KT250-A PARTS LIST

## GEAR CHANGE MECHANISM

ITEM NAME	PART NUMBER	QUANTITY
PEDAL,GEAR CHANGE (Ref # 1)	13156-062	1
BOLT-UPSET,6X20 (Ref # 2)	112G0620	1
BOLT-UPSET,6X20 (Ref # 2)	112G0620	AL
LEVER ASSY,GEAR CHANG (Ref # 3)	13161-033	1
SPRING,TENTION (Ref # 4)	92081-1129	1
COLLAR (Ref # 5)	92027-189	1
NUT 8MM (Ref # 6)	312B0800	1
BOLT,RETURN SPRING (Ref # 7)	92001-1401	1
SPRING-CHANGE LEVER (Ref # 8)	92081-076	1
SCREW-PAN HEAD (Ref # 9)	92011-023	1
LEVER ASSY,GEAR CHANG (Ref # 10)	13236-006	1
LEVER ASSY,GEAR CHANG (Ref # 11)	13236-007	1
SPRING-COIL (Ref # 12)	92081-091	1
SPRING (Ref # 13)	92081-119	1
SCREW PAN HEAD 6X14 (Ref # 14)	220B0614	2
PLATE,CHANGE DRUM (Ref # 15)	13169-012	1
SPACER,CHANGE SHAFT (Ref # 16)	92026-107	1