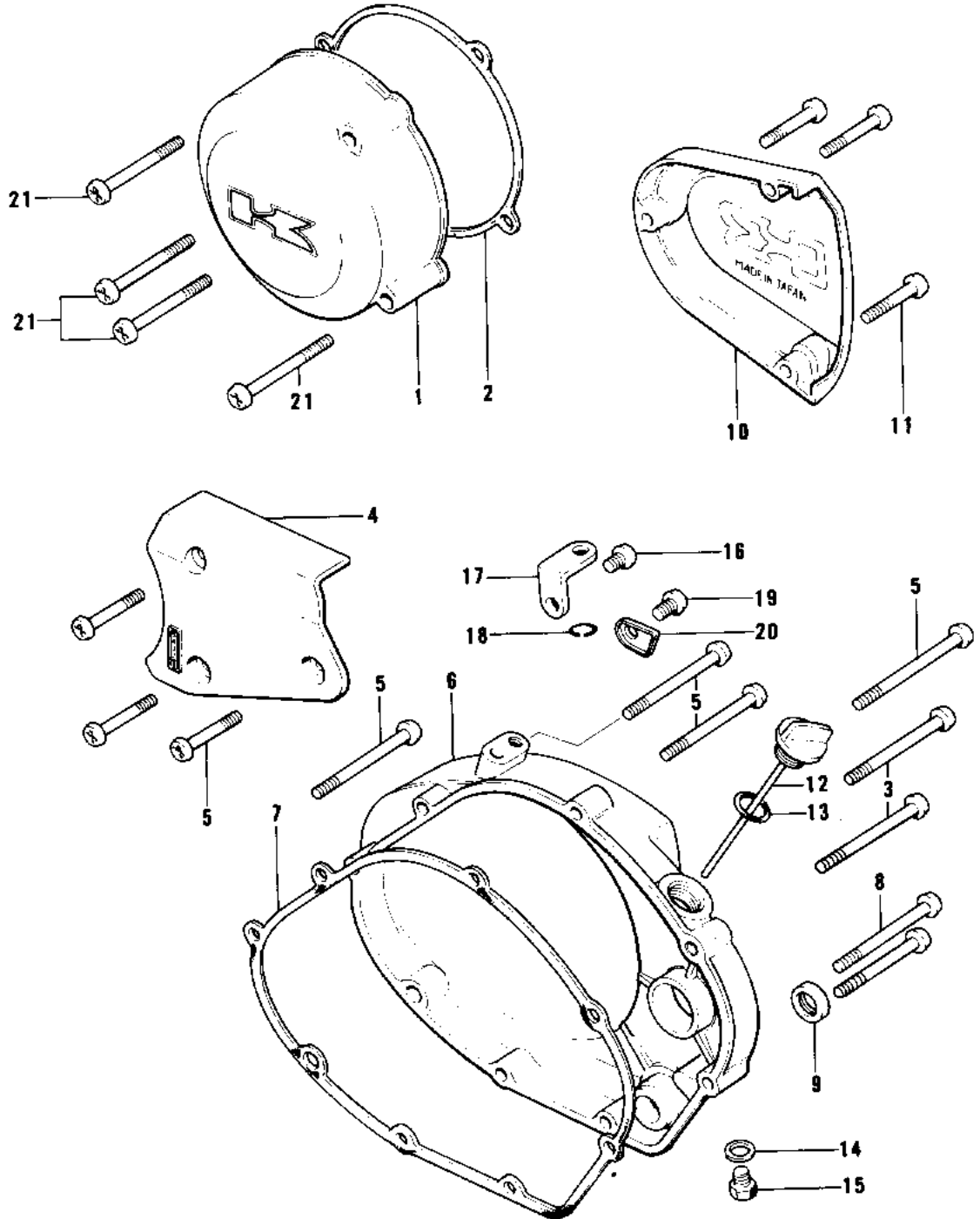


1975 KT250-A PARTS DIAGRAM

ENGINE COVERS



1975 KT250-A PARTS LIST

ENGINE COVERS

ITEM NAME	PART NUMBER	QUANTITY
COVER,L.H ENGINE,BUFF (Ref # 1)	14031-088-80	1
GASKET,L.H ENG COVER (Ref # 2)	14045-023	1
SCREW PAN HEAD 6X50 (Ref # 3)	220B0650	2
COVER,CHAIN CASE,BUFF (Ref # 4)	14026-030-80	1
SCREW PAN HEAD 6X40 (Ref # 5)	220B0640	7
COVER,R.H ENGINE,BUFF (Ref # 6)	14032-113-80	1
GASKET,R.H ENG COVER (Ref # 7)	14046-030	1
SCREW PAN HEAD 6X30 (Ref # 8)	220B0630	2
OIL SEAL SB20285 (Ref # 9)	92049-012	1
COVER,OIL PUMP,BUFF (Ref # 10)	14030-064-80	1
SCREW PAN HEAD 6X20 (Ref # 11)	220B0620	3
PLUG-OIL FILLER (Ref # 12)	16115-017	1
"O" RING,20MM (Ref # 13)	670B2020	1
GASKET CHECK VALVE (Ref # 14)	92065-058	1
PLUG OIL DRAIN (Ref # 15)	92067-001	1
SCREW PAN HEAD 6X20 (Ref # 16)	220B0620	1
HOLDER-OIL PUMP CABLE (Ref # 17)	14044-005	1
CIRCLIP SELD BEM FIT (Ref # 18)	482K4000	1
SCREW PAN HEAD 6X10 (Ref # 19)	220B0610	1
CLAMP,OIL PUMP CABLE (Ref # 20)	92037-156	1
SCREW 6X55 (Ref # 21)	220B0655	4