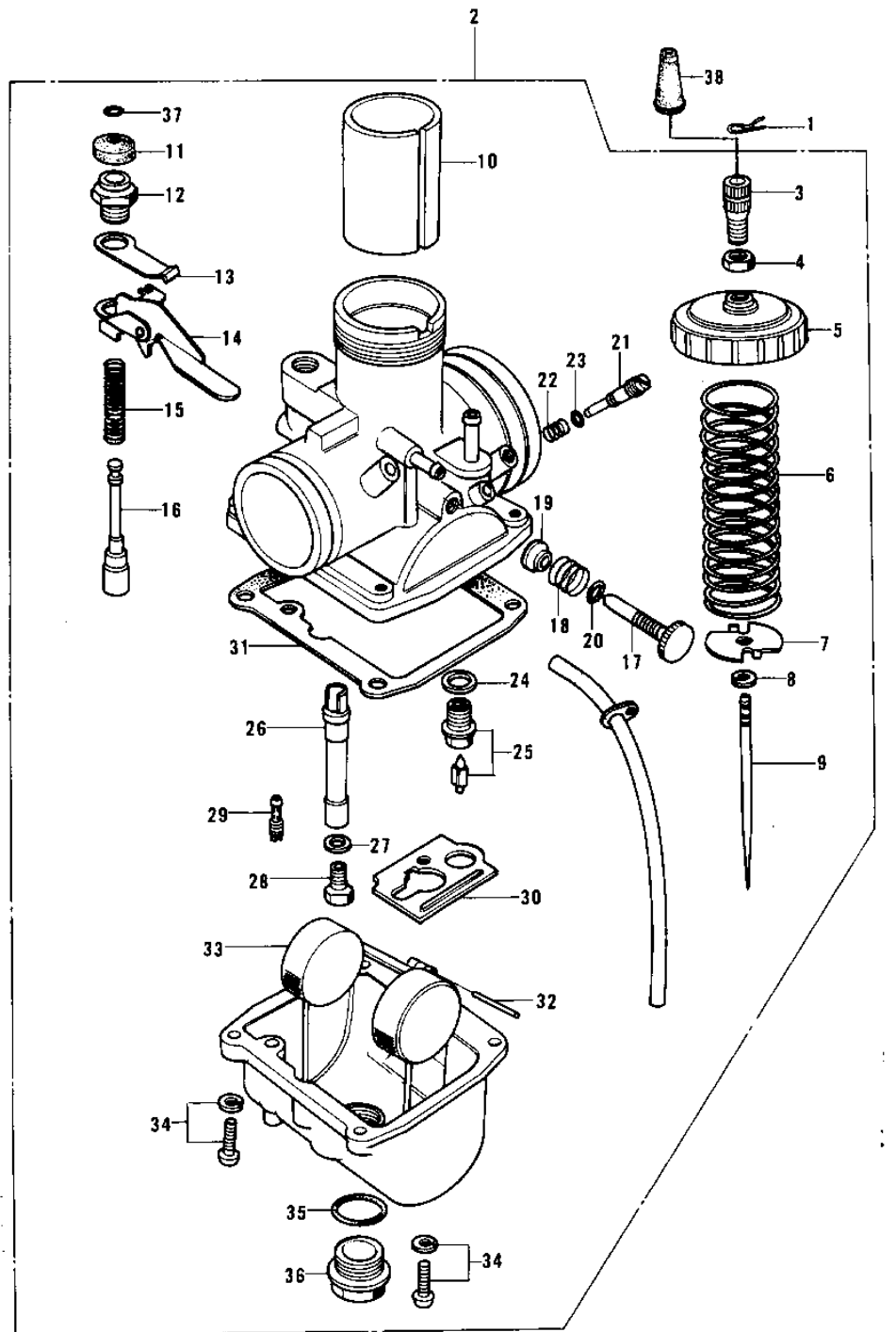


1975 KT250-A PARTS DIAGRAM

CARBURETOR



1975 KT250-A PARTS LIST

CARBURETOR

ITEM NAME	PART NUMBER	QUANTITY
CIRCLIP (Ref # 1)	92036-018	1
CARBURETOR ASSY (Ref # 2)	16001-250	1
ADJUSTER,CABLE (Ref # 3)	16002-014	1
NUT-CABLE ADJUST LOCK (Ref # 4)	16003-006	1
CAP-MIXING CHAMBER (Ref # 5)	16004-018	1
SPRING,THROTTLE VALV (Ref # 6)	16006-024	1
SEAT,THROTTLE VALVE (Ref # 7)	16007-026	1
CIRCLIP (Ref # 8)	16008-010	1
JET NEEDLE 5D1 (Ref # 9)	16009-066	1
VALVE,THROTTLE CA210 (Ref # 10)	16025-076	1
CAP,STARTER PLUNGER (Ref # 11)	16036-012	1
CAP,STARTER PLUNGER (Ref # 12)	16012-019	1
SPRING,STATER LEVER (Ref # 13)	16013-009	1
LEVER,STARTER PLUNGER (Ref # 14)	16063-004	1
SPRING,STARTER PLUG (Ref # 15)	16013-008	1
PLUNGER (Ref # 16)	16016-011	1
SCREW,THROTTLE ADJUST (Ref # 17)	16021-026	1
SPRING,THROTTLE ADJST (Ref # 18)	16022-013	1
CAP,ADJUSTER SPRING (Ref # 19)	16045-003	1
"O" RING,4MM (Ref # 20)	670B1504	1
SCREW,PILOT AIR (Ref # 21)	16014-015	1
SPRING-THR STOP SCREW (Ref # 22)	16022-007	1
"O" RING,3MM (Ref # 23)	670B1503	1
WASHER FLOAT VLV SEAT (Ref # 24)	16029-004	1
FLOAT VALVE ASSY (Ref # 25)	16030-024	1
NEEDLE JET 0-8 (Ref # 26)	16017-087	1
WASHER MAIN JET (Ref # 27)	16034-001	1
MAIN JET NO 85R (Ref # 28)	92063-093	1
MAIN JET, #A80 (Ref # 28)	92063-1030	1

1975 KT250-A PARTS LIST

CARBURETOR

ITEM NAME	PART NUMBER	QUANTITY
MAIN JET NO 82.5R (Ref # 28)	92063-124	1
MAIN JET NO 87.5R (Ref # 28)	92063-094	1
MAIN JET,#A90R (Ref # 28)	92063-1029	1
JET-PILOT NO 30 (Ref # 29)	92064-022	1
PLATE,FLOAT CHAMBER (Ref # 30)	16038-018	1
GASKET,FLOAT CHAMBER (Ref # 31)	16019-027	1
FLOAT PIN (Ref # 32)	16032-003	1
FLOAT (Ref # 33)	16031-010	1
SCREW FLOAT CHAMBER (Ref # 34)	16033-009	4
"O" RING,18MM (Ref # 35)	670B2018	1
COVER,MAIN JET (Ref # 36)	16049-006	1
"O" RING,STATER PLUNG (Ref # 37)	16088-003	1
CAP-CABLE ADJUSTER (Ref # 38)	16036-008	1