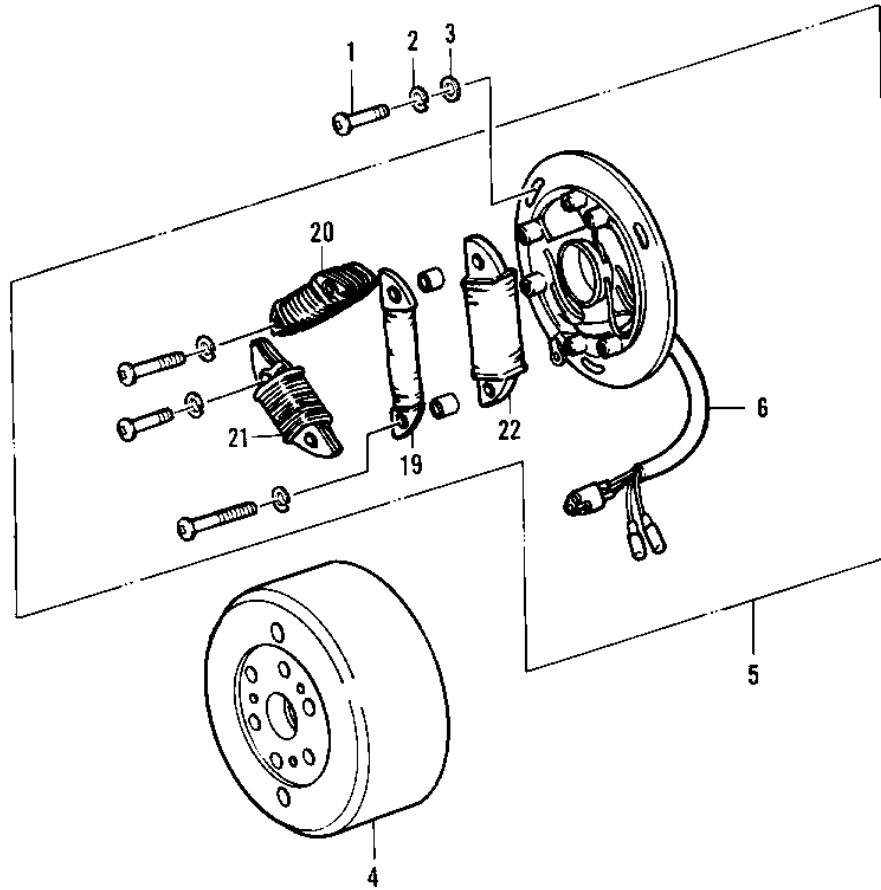


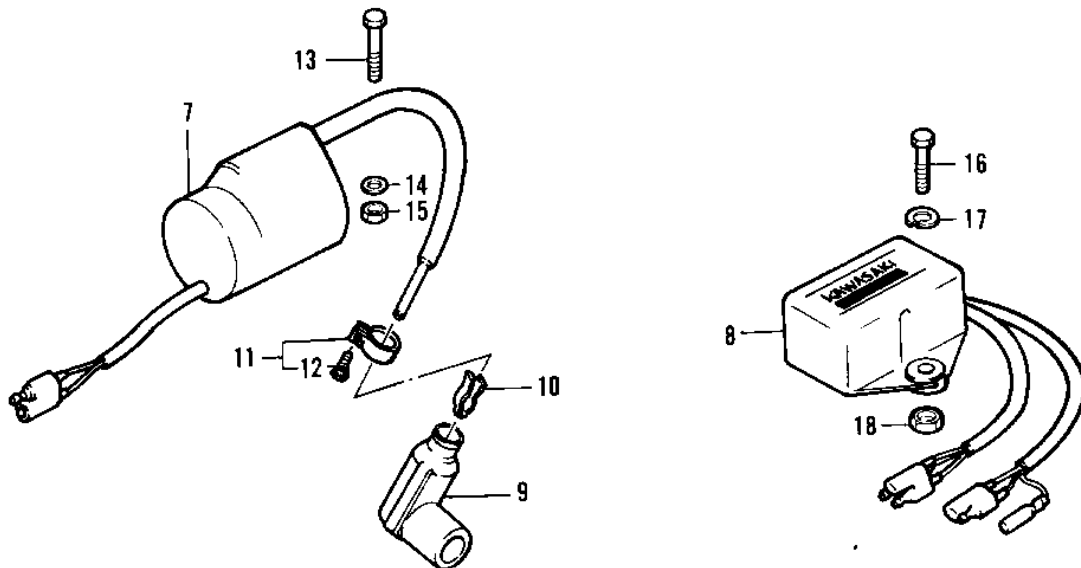
1975 KT250-A PARTS DIAGRAM

IGNITION/GENERATOR



R4
—

102-



1975 KT250-A PARTS LIST

IGNITION/GENERATOR

ITEM NAME	PART NUMBER	QUANTITY
UNAVAILABLE IN PRICE BOOK (Ref # 1)	214B0516A	3
WASHER SPRING 5MM (Ref # 2)	461F0500	3
WASHER PLAIN 5MM (Ref # 3)	411B0500	3
FLYWHEEL,MAGNETO (Ref # 4)	21050-020	1
STATOR ASSY,MAGNETO (Ref # 5)	21003-030	1
WIRING HARNESS,MAG (Ref # 6)	21029-033	1
COIL,IGNITION (Ref # 7)	21121-077	1
IGNITION UNIT (Ref # 8)	21119-023	1
CAP,SPARK PLUG (Ref # 9)	21130-1006	1
TERMINAL,PLUG CAP (Ref # 10)	21169-001	1
CLAMP,SPARK PLUG CAP (Ref # 11)	92037-1173	1
SCREW-PAN-CROS (Ref # 12)	220B0310	1
BOLT, HEX HEAD 5X22 (Ref # 13)	110B0522A	2
WASHER PLAIN 5MM (Ref # 14)	411B0500	2
NUT,5MM (Ref # 15)	311B0500	2
BOLT-UPSET (Ref # 16)	112G0618	2
WASHER SPRING 6MM (Ref # 17)	461F0600	2
NUT 6MM (Ref # 18)	311B0600	2
COIL,PULSER (Ref # 19)	21047-033	1
COIL,LIGHTING (Ref # 20)	21047-034	1
COIL,CHARGE (Ref # 21)	21047-035	1
COIL (Ref # 22)	21049-019	1