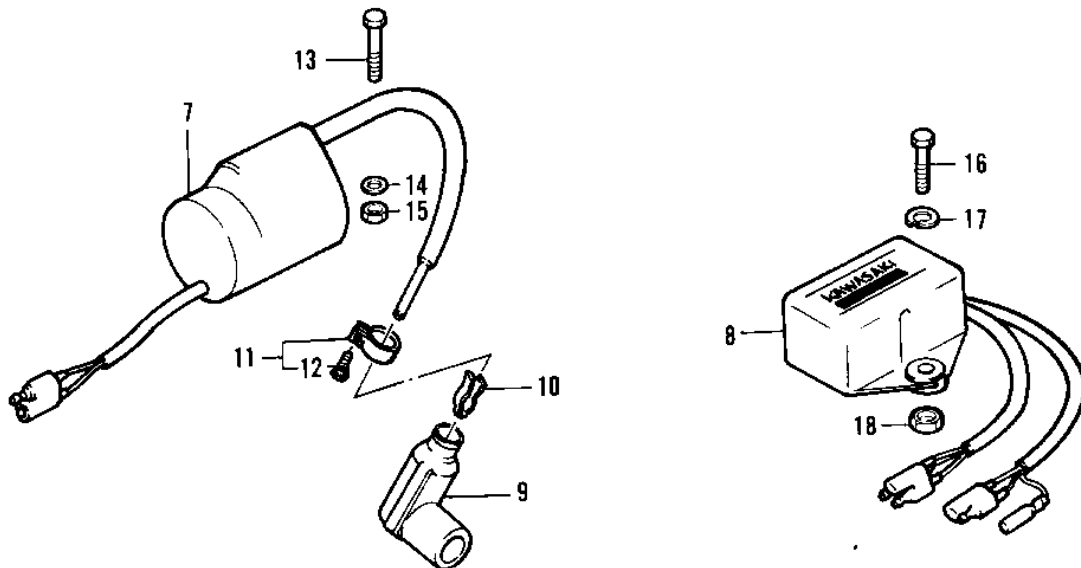
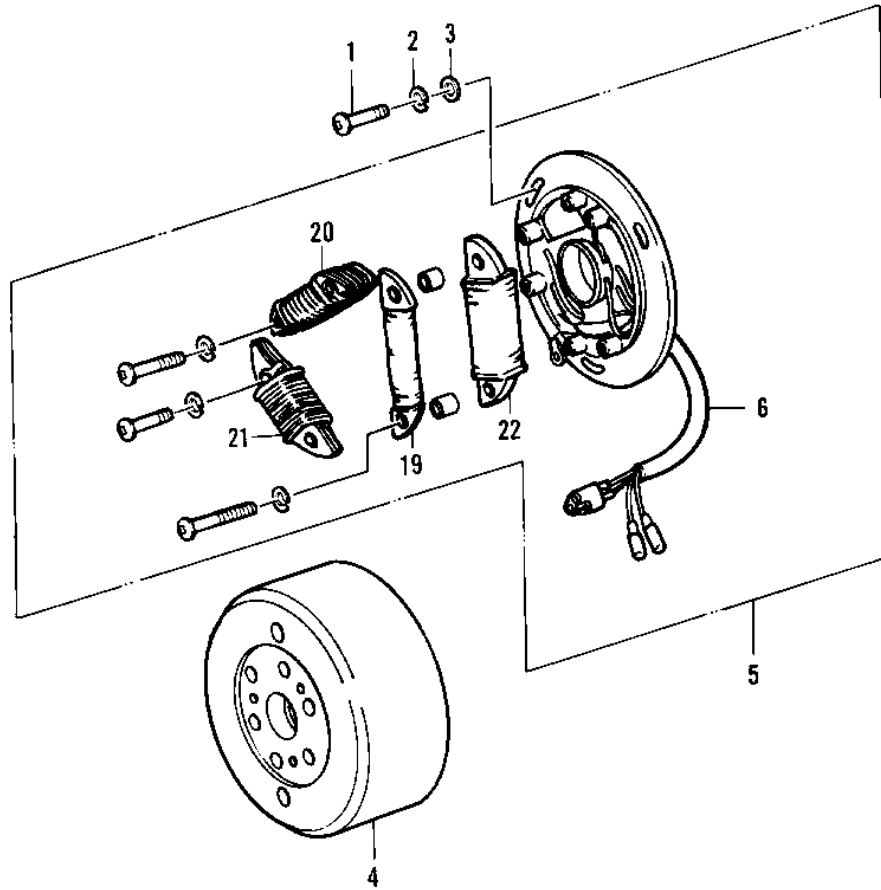


# 1976 Trial PARTS DIAGRAM

## IGNITION/GENERATOR



R4  
—

102-

# 1976 Trial PARTS LIST

## IGNITION/GENERATOR

ITEM NAME	PART NUMBER	QUANTITY
UNAVAILABLE IN PRICE BOOK (Ref # 1)	214B0516A	
WASHER SPRING 5MM (Ref # 2)	461F0500	
WASHER PLAIN 5MM (Ref # 3)	411B0500	
FLYWHEEL,MAGNETO (Ref # 4)	21050-020	
STATOR ASSY,MAGNETO (Ref # 5)	21003-030	
WIRING HARNESS,MAG (Ref # 6)	21029-033	
COIL,IGNITION (Ref # 7)	21121-077	
IGNITION UNIT (Ref # 8)	21119-023	
CAP,SPARK PLUG (Ref # 9)	21130-1006	
TERMINAL,PLUG CAP (Ref # 10)	21169-001	
CLAMP,SPARK PLUG CAP (Ref # 11)	92037-1173	
SCREW-PAN-CROS (Ref # 12)	220B0310	
BOLT, HEX HEAD 5X22 (Ref # 13)	110B0522A	
WASHER PLAIN 5MM (Ref # 14)	411B0500	
NUT,5MM (Ref # 15)	311B0500	
BOLT-UPSET (Ref # 16)	112G0618	
WASHER SPRING 6MM (Ref # 17)	461F0600	
NUT 6MM (Ref # 18)	311B0600	
COIL,PULSER (Ref # 19)	21047-033	
COIL,LIGHTING (Ref # 20)	21047-034	
COIL,CHARGE (Ref # 21)	21047-035	
COIL (Ref # 22)	21049-019	