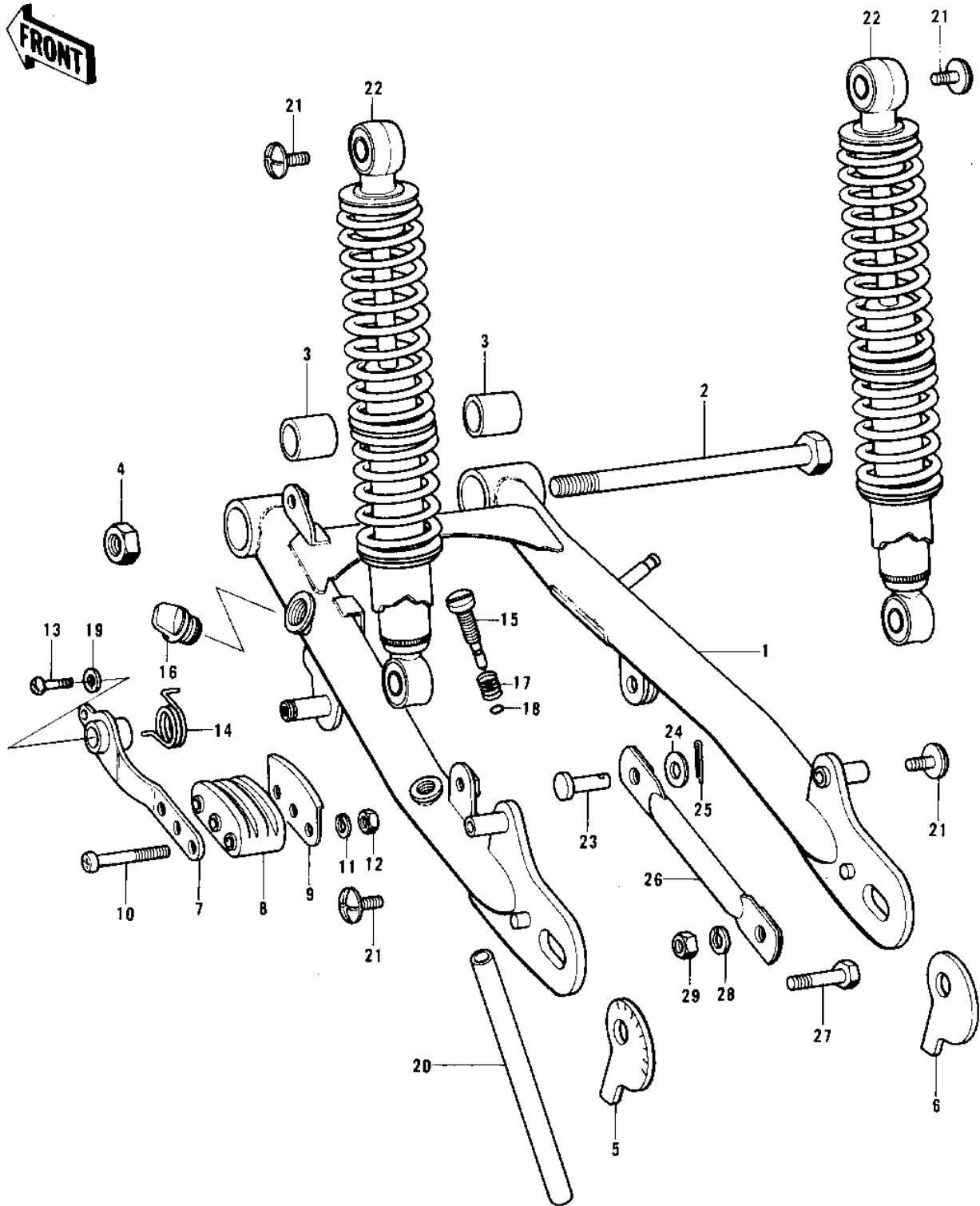


# 1976 Trial PARTS DIAGRAM

## SWING ARM/SHOCK ABSORBERS



# 1976 Trial PARTS LIST

## SWING ARM/SHOCK ABSORBERS

ITEM NAME	PART NUMBER	QUANTITY
ARM,SWINGING (Ref # 1)	33001-077	
SHAFT,SWING ARM PIVOT (Ref # 2)	33032-042	
BUSH SWING ARM SHAFT (Ref # 3)	92092-005	
NUT-LOCK,12MM (Ref # 4)	92019-009	
ADJUSTER,L.H CHAIN (Ref # 5)	33040-064	
ADJUSTER,R.H CHAIN (Ref # 6)	33040-065	
TENSIONER,CHAIN (Ref # 7)	12049-002	
SLIPPER,CHAIN TENSION (Ref # 8)	12053-012	
BRACKET,CHAIN TENSION (Ref # 9)	12051-002	
SCREW PAN HEAD 6X40 (Ref # 10)	220B0640	
WASHER SPRING 6MM (Ref # 11)	461F0600	
NUT 6MM (Ref # 12)	311B0600	
SCREW PAN HEAD 6X12 (Ref # 13)	220B0612	
SPRING,RETURN (Ref # 14)	58024-003	
BOLT,CHAIN OILER (Ref # 15)	92003-176	
PLUG,OIL FILLER (Ref # 16)	16115-026	
SPRING,CHAIN TENSION (Ref # 17)	55033-002	
"O" RING,3MM (Ref # 18)	670B1503	
WASHER 6.5X20X1.6T (Ref # 19)	92022-125	
TUBE,CHAIN OILER (Ref # 20)	92059-116	
BOLT,6X12 (Ref # 21)	92003-173	
SHOCK ABSBR RR (Ref # 22)	45014-103	
PIN,TORQUE LINK (Ref # 23)	92043-105	
WASHER,PLAIN (Ref # 24)	92022-239	
PIN COTTER 2.0X20 (Ref # 25)	550D2020	
TORQUE LINK,RR BRAKE (Ref # 26)	43007-043	
BOLT HEX HEAD 10X25 (Ref # 27)	92003-003	
WASHER SPRING 10MM (Ref # 28)	461F1000	
NUT,10MM (Ref # 29)	314B1000	