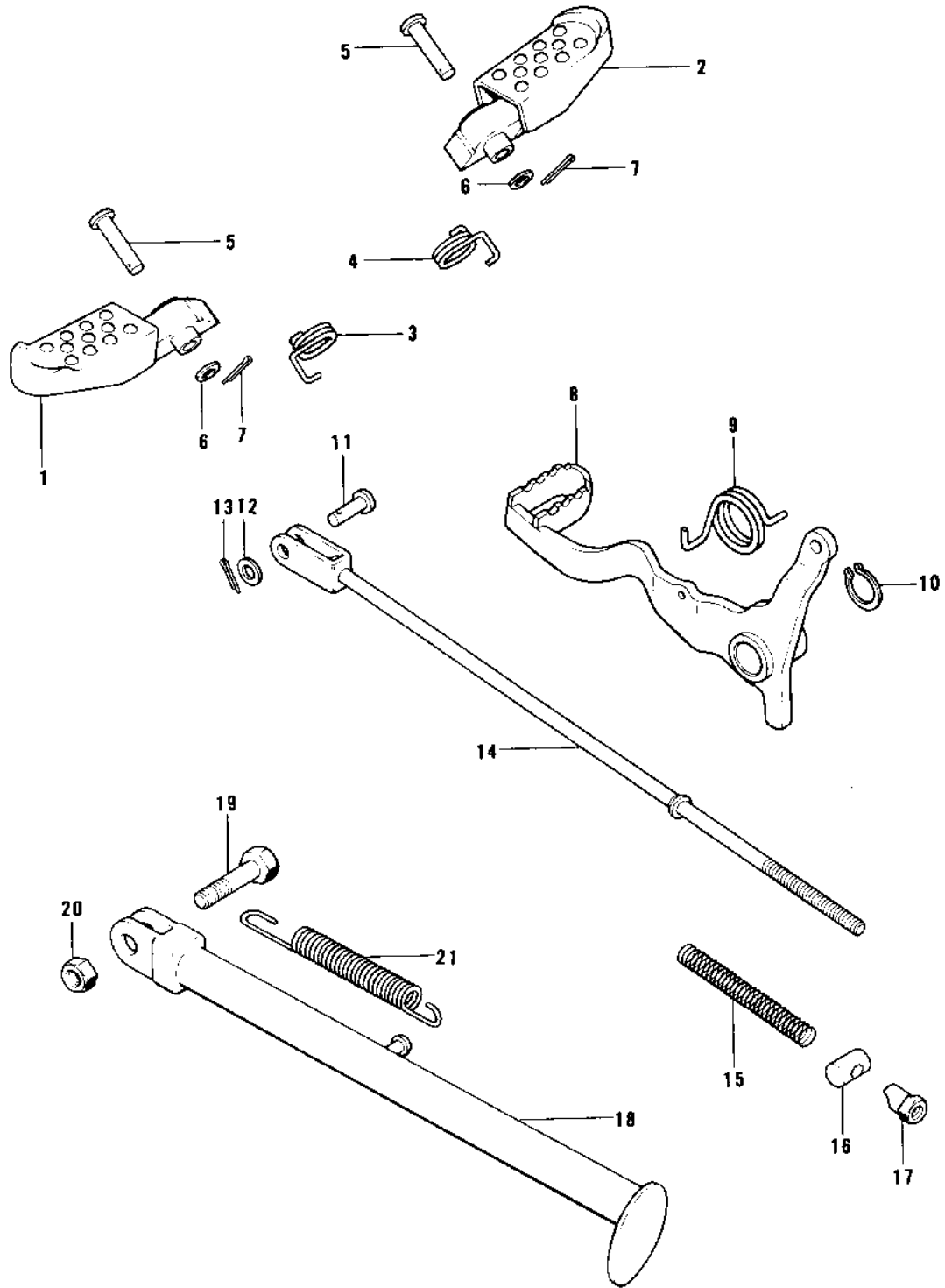


1976 Trial PARTS DIAGRAM

FOOTRESTS/STAND/BRAKE PEDAL



1976 Trial PARTS LIST

FOOTRESTS/STAND/BRAKE PEDAL

| ITEM NAME | PART NUMBER | QUANTITY |
|----------------------------------|-------------|----------|
| BAR,L.H FOOTREST (Ref # 1) | 34028-027 | |
| BAR,R.H FOOTREST (Ref # 2) | 34028-028 | |
| SPRING,L.H,FOOTREST (Ref # 3) | 92081-1254 | |
| SPRING,R.H,FOOTREST (Ref # 4) | 92081-1255 | |
| PIN,FOOTREST BAR FIT (Ref # 5) | 92043-115 | |
| WASHER PLAIN 8MM (Ref # 6) | 410B0800 | |
| PIN COTTER 2.5X16 (Ref # 7) | 550D2516 | |
| PEDAL,BRAKE (Ref # 8) | 43001-066 | |
| SPRING,BRAKE PEDAL (Ref # 9) | 43005-034 | |
| CIRCLIP 12MM (Ref # 10) | 482K0200 | |
| PIN-BRAKE ROD FITTING (Ref # 11) | 92043-064 | |
| WASHER PLAIN 6MM (Ref # 12) | 410B0600 | |
| PIN COTTER 2.0X15 (Ref # 13) | 550D2015 | |
| ROD,REAR BRAKE (Ref # 14) | 43011-027 | |
| SPRING,BRAKE ROD (Ref # 15) | 43012-001 | |
| PIN BRAKE (Ref # 16) | 92043-039 | |
| NUT-BRAKE ROD ADJUST (Ref # 17) | 92015-042 | |
| STAND-SIDE (Ref # 18) | 34024-058 | |
| BOLT,HEX HEAD 10X35 (Ref # 19) | 92001-1252 | |
| NUT,10MM (Ref # 20) | 314B1000 | |
| SPRING,SIDE STAND (Ref # 21) | 34025-008 | |