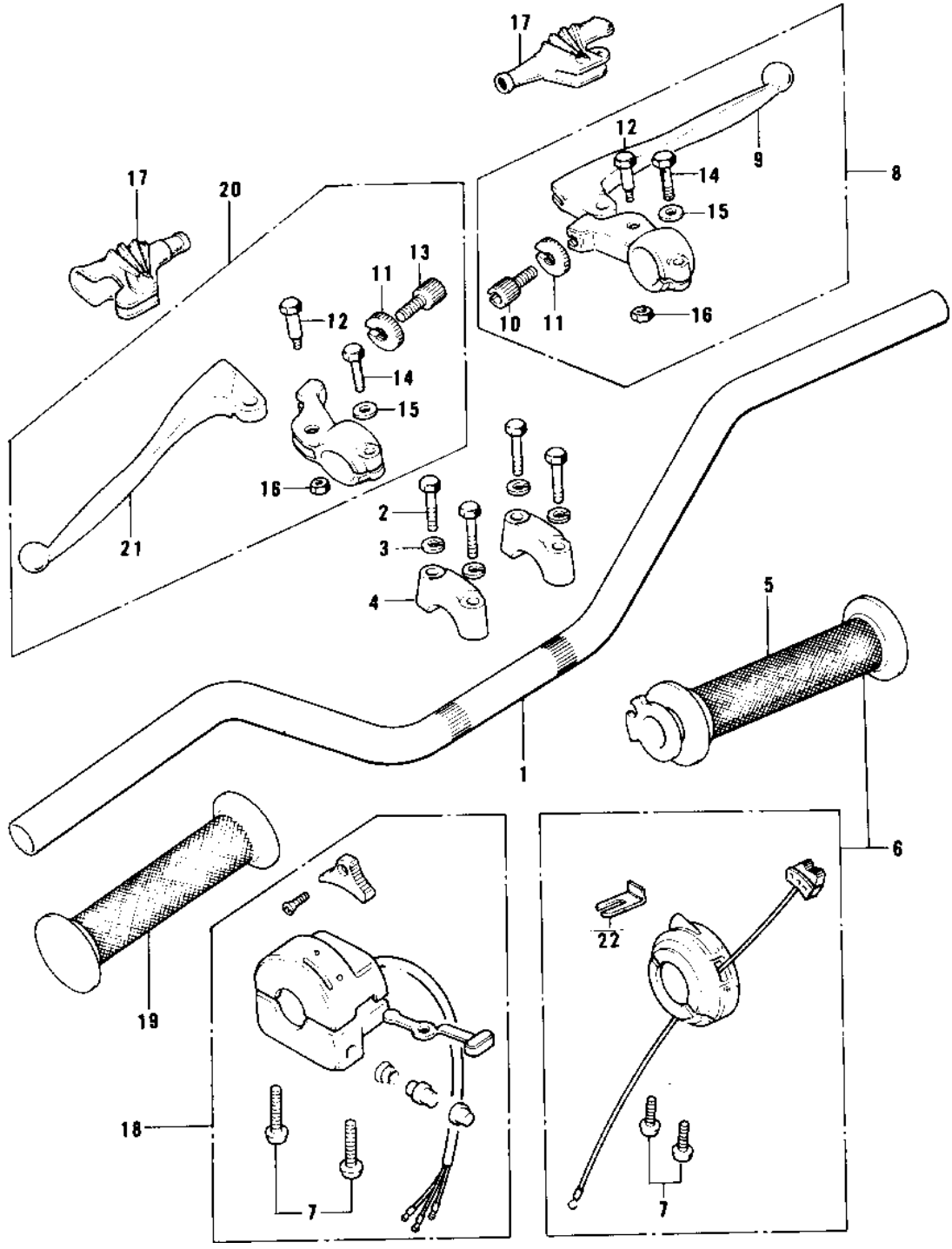


# 1976 Trial PARTS DIAGRAM

## HANDLEBAR



# 1976 Trial PARTS LIST

## HANDLEBAR

ITEM NAME	PART NUMBER	QUANTITY
HANDLEBAR (Ref # 1)	46004-031	
BOLT 8X38 (Ref # 2)	92001-1405	
WASHER SPRING 8MM (Ref # 3)	461F0800	
HOLDER UPPER HANDLEBAR (Ref # 4)	46012-004	
GRIP ASSY, THROTTLE (Ref # 5)	46019-036	
CASE ASSY, R.H (Ref # 6)	46018-042	
SCREW-PAN-CROS, 5X25 (Ref # 7)	220B0525	
LEVER ASSY, FRNT BRAKE (Ref # 8)	46021-030	
LEVER FRONT BRAKE (Ref # 9)	46058-004	
SCREW, CABLE ADJUST (Ref # 10)	46055-010	
NUT-LOCK (Ref # 11)	46056-005	
BOLT, HEX HEAD, 5X22 (Ref # 12)	92007-046	
SCREW CABLE ADJUST (Ref # 13)	46055-003	
BOLT HEX HEAD 6X25 (Ref # 14)	110N0625	
WASHER PLAIN 6MM (Ref # 15)	410B0600	
NUT-LOCK, 5MM (Ref # 16)	92019-014	
BOOTS, LEVER HOLDER (Ref # 17)	49006-1017	
CASE ASSY, L.H (Ref # 18)	46091-046	
RUBBER, L.H GRIP (Ref # 19)	46075-026	
LEVER ASSY, CLUTCH (Ref # 20)	46076-046	
LEVER-CLUTCH (Ref # 21)	46092-015	
HOLDER, CONTROL CABLE (Ref # 22)	46037-023	