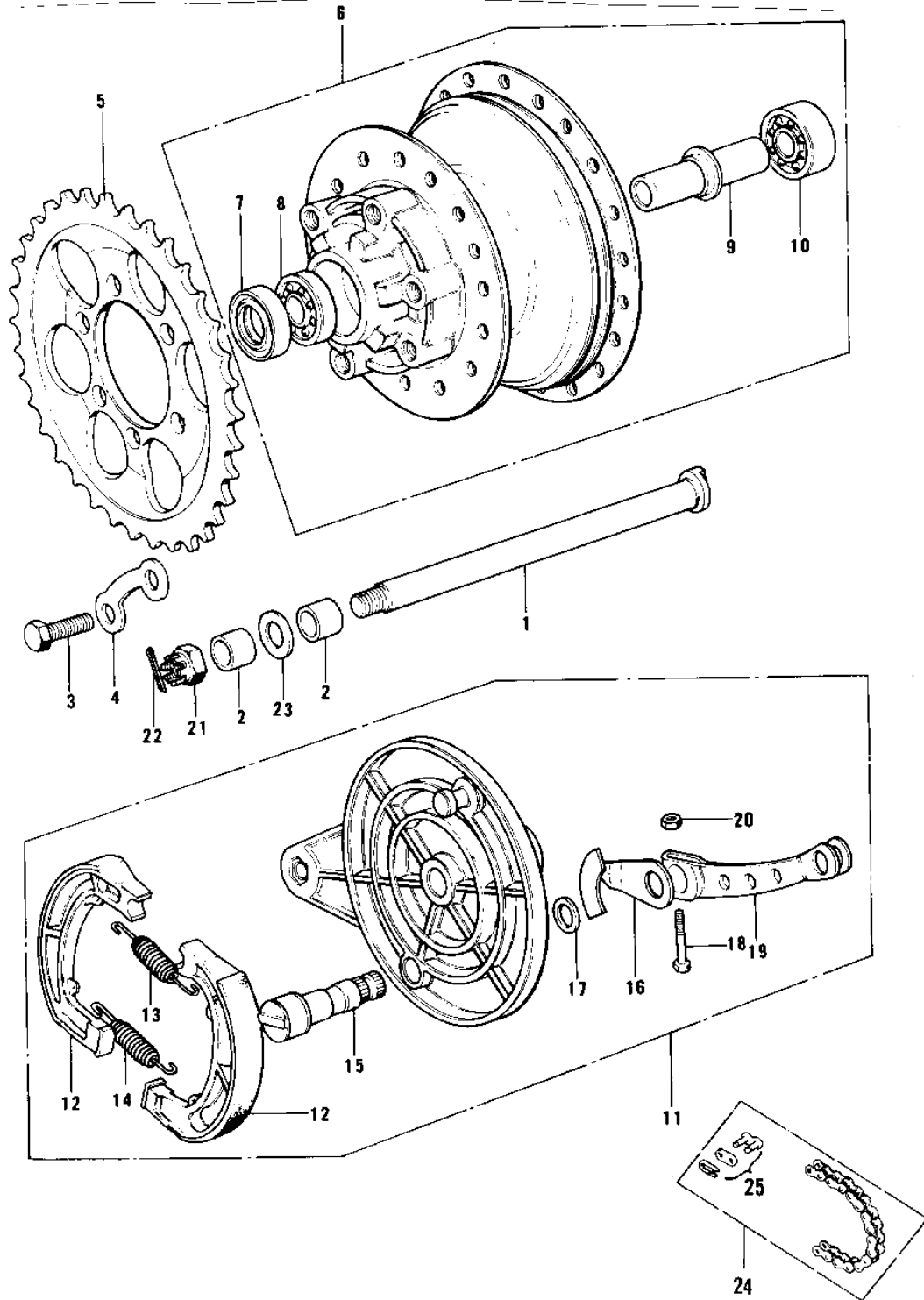


1976 Trial PARTS DIAGRAM

REAR HUB/BRAKE/CHAIN

Re
—



102-1

1976 Trial PARTS LIST

REAR HUB/BRAKE/CHAIN

ITEM NAME	PART NUMBER	QUANTITY
AXLE,REAR (Ref # 1)	42031-046	
COLLAR-REAR AXLE (Ref # 2)	42032-036	
BOLT-HEX HEAD,10X25 (Ref # 3)	92001-087	
WASHER LOCK (Ref # 4)	92088-007	
REAR,SPROCKET 52T (Ref # 5)	42041-151	
DRUM ASY,RR BK,BUFF (Ref # 6)	42005-029-80	
OIL SEAL RR BRK DRUM (Ref # 7)	92050-009	
BEARING BALL #6302 (Ref # 8)	601B6302	
SPACER-RR HUB BEARING (Ref # 9)	42010-019	
BEARING BALL #6302Z (Ref # 10)	601B6302Z	
PANEL-ASY,RR BRK,BUFF (Ref # 11)	42006-074-80	
PANEL-ASY,RR BRK,BUFF (Ref # 11)	42006-074-80	
SHOE,BRAKE (Ref # 12)	42019-010	
SHOE,BRAKE (Ref # 12)	42019-010	
SPRING,BRAKE SHOE (Ref # 13)	92081-1766	
SPRING,BRAKE SHOE (Ref # 14)	92081-1550	
CAM SHAFT,REAR BRAKE (Ref # 15)	42026-014	
CAM SHAFT,REAR BRAKE (Ref # 15)	42026-025	
INDICATOR,BRAKE SHOE (Ref # 16)	41085-012	
"0" RING,11MM (Ref # 17)	92055-004	
BOLT-UPSET (Ref # 18)	112G0630	
LEVER-REAR BRAKE CAM (Ref # 19)	42029-023	
NUT,6MM (Ref # 20)	41072-007	
NUT CASTLE 14MM (Ref # 21)	92103-006	
PIN-COTTER,4.0X35 (Ref # 22)	550D4035	
SPACER,REAR AXLE (Ref # 23)	42035-002	
DR CHAIN 428X120 (Ref # 24)	92057-095	
JOINT-CHAIN (Ref # 25)	92058-1015	