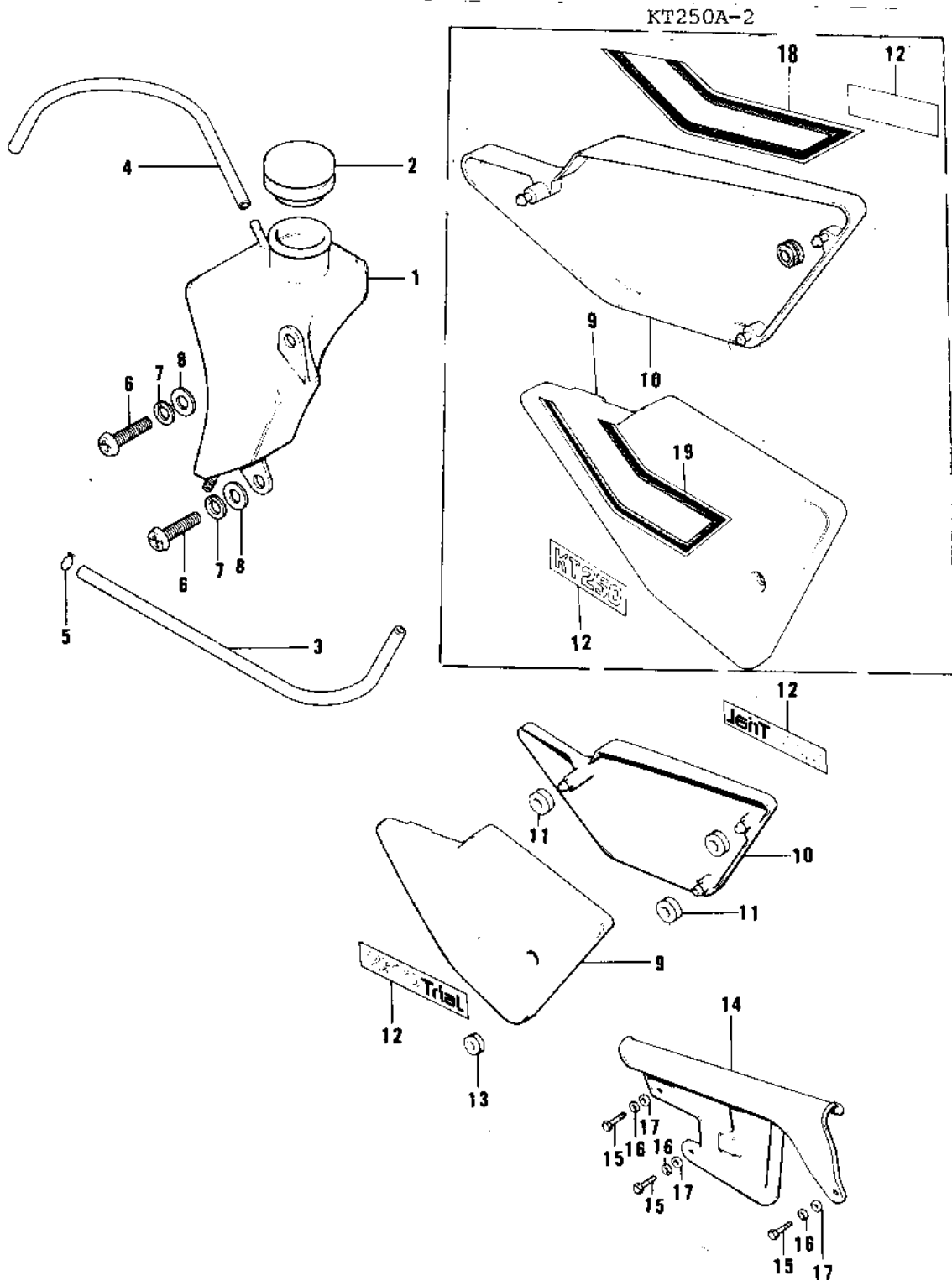


1975 KT250-A PARTS DIAGRAM

SIDE COVERS/OIL TANK/CHAIN COVER



Re
—

102-1

1975 KT250-A PARTS LIST

SIDE COVERS/OIL TANK/CHAIN COVER

ITEM NAME	PART NUMBER	QUANTITY
TANK,OIL (Ref # 1)	52001-044	1
CAP-OIL TANK (Ref # 2)	51049-1004	1
PIPE,OIL TANK (Ref # 3)	92059-115	1
TUBE-VINYL,5X400 (Ref # 4)	700Q05400	1
CLAMP-PIPE (Ref # 5)	92037-072	2
SCREW PAN HEAD 6X14 (Ref # 6)	220B0614	2
WASHER SPRING 6MM (Ref # 7)	461F0600	2
WASHER 6.5X20X1.6T (Ref # 8)	92022-125	2
COVER,L.H SIDE,L.GREN (Ref # 9)	36001-050-2G	1
COVER,L.H SIDE,LIME (Ref # 9)	36001-050-1Y	1
COVER,RH SIDE,LIME (Ref # 10)	36007-044-1Y	1
COVER,RH SIDE,LIME (Ref # 10)	36007-044-1Y	1
GROMMET (Ref # 11)	92071-056	6
EMBLEM,SIDE COVER (Ref # 12)	56018-191	2
DECAL,SIDE COVER (Ref # 12)	56018-230-SP	2
DECAL,SIDE COVER (Ref # 12)	56018-230-SP	2
GROMMET,L.H SIDE COV (Ref # 13)	92071-080	1
UNAVAILABLE IN PRICE BOOK (Ref # 14)	36014-060-21	1
CASE-CHAIN,M SILVER (Ref # 14)	36014-060-1W	1
SCREW PAN HEAD 6X14 (Ref # 15)	220B0614	3
WASHER SPRING 6MM (Ref # 16)	461F0600	3
WASHER PLAIN (Ref # 17)	92022-024	3
EMBLEM,SIDE COVER,R.H (Ref # 18)	56027-396	1
EMBLEM,SIDE COVER,L.H (Ref # 19)	56027-395	1