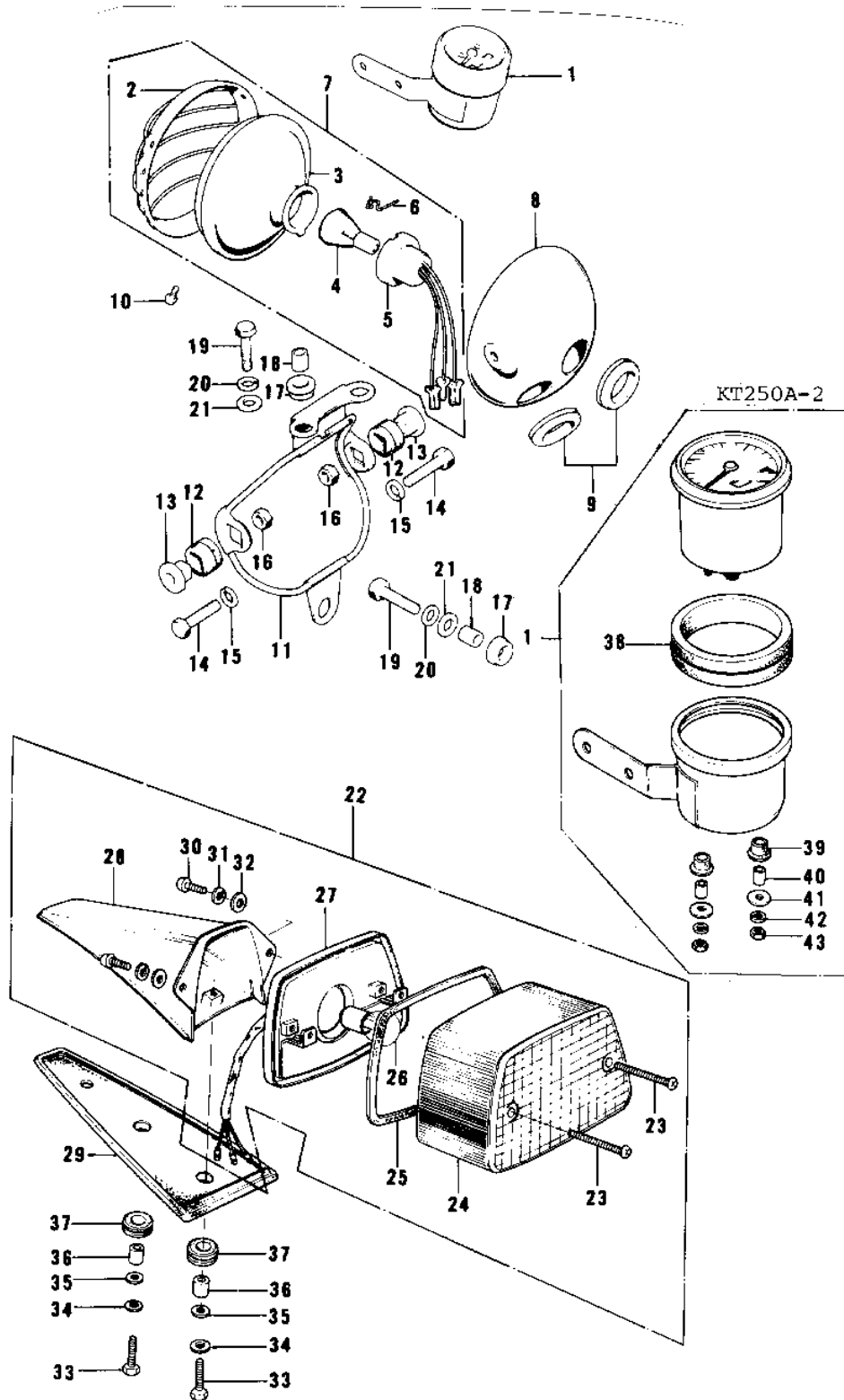


1975 KT250-A PARTS DIAGRAM

METER/HEADLIGHT/TAILLIGHT



1975 KT250-A PARTS LIST

METER/HEADLIGHT/TAILLIGHT

ITEM NAME	PART NUMBER	QUANTITY
SPEEDOMETER ASSY,MPH (Ref # 1)	25001-085	1
RIM,HEAD LIGHT (Ref # 2)	23006-047	1
LENS,HEAD LIGHT (Ref # 3)	23007-063	1
BULB,6V 35/35W (Ref # 4)	92069-078	1
SOCKET,HEAD LIGHT (Ref # 5)	23008-039	1
CLAMP,HEAD LAMP LENS (Ref # 6)	23009-015	3
LAMP UNIT,HEAD (Ref # 7)	23004-060	1
BODY,HEAD LIGHT,WHITE (Ref # 8)	23005-021-3G	1
GROMMET (Ref # 9)	23023-011	2
SCREW,PAN HEAD,5X14 (Ref # 10)	23019-025	1
BRACKET,HEAD LIGHT (Ref # 11)	23064-020-3G	1
DAMPER RUBBER (Ref # 12)	23066-017	2
COLLAR (Ref # 13)	23052-008	2
BOLT,HEX HEAD,10X30 (Ref # 14)	92007-041	2
WASHER SPRING 10MM (Ref # 15)	461F1000	2
NUT 10MM (Ref # 16)	92016-027	2
DAMPER RUBBER,RR FENR (Ref # 17)	92075-209	2
COLLAR 6.8X10X10.5 (Ref # 18)	92027-120	3
BOLT-UPSET (Ref # 19)	112G0630	3
WASHER SPRING 6MM (Ref # 20)	461F0600	3
WASHER 6.5X22X1.6T (Ref # 21)	92022-237	3
LAMP ASSY,TAIL,WHITE (Ref # 22)	23024-084-3G	1
LAMP ASSY,TAIL,WHITE (Ref # 22)	23024-084-3G	1
SCREW-PAN-CROS (Ref # 23)	220E0325	2
SCREW-PAN-CROS (Ref # 23)	220B0330	2
LENS,TAIL LAMP (Ref # 24)	23026-040	1
LENS,TAIL LAMP (Ref # 24)	23026-040	1
GASKET,TAIL LIGHT (Ref # 25)	23028-020	1
BULB,6V 17/5.3W (Ref # 26)	92069-028	1

1975 KT250-A PARTS LIST

METER/HEADLIGHT/TAILLIGHT

ITEM NAME	PART NUMBER	QUANTITY
CASE,TAIL LAMP (Ref # 27)	23027-044	1
CASE,TAIL LAMP (Ref # 27)	23027-044	1
BKT,LICENSE PLT,WHITE (Ref # 28)	23036-042-3G	1
DAMPER RUBBER (Ref # 29)	23066-018	1
SCREW PAN HEAD 5X10 (Ref # 30)	220B0510	2
WASHER SPRING 5MM (Ref # 31)	461F0500	2
WASHER PLAIN 5MM (Ref # 32)	411B0500	2
BOLT-UPSET,6X20 (Ref # 33)	112G0620	2
BOLT-UPSET,6X20 (Ref # 33)	112G0620	AL
WASHER SPRING 6MM (Ref # 34)	461F0600	2
WASHER 6.5X20X1.6T (Ref # 35)	92022-125	2
COLLAR,6.8X10X8.5 (Ref # 36)	92027-129	2
DAMPER RUBBER (Ref # 3)	92075-263	2
SHOCK DAMPER,METER (Ref # 38)	25019-022	1
DAMPER RUBBER,MET FIT (Ref # 39)	25019-023	2
COLLAR,METER FITTING (Ref # 40)	25021-005	2
WASHER,PLAIN,6MM (Ref # 41)	92022-263	2
WASHER SPRING 4MM (Ref # 42)	461F0400	2
NUT,4MM (Ref # 43)	311B0400	2