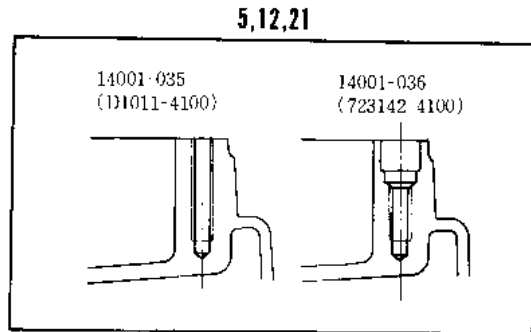
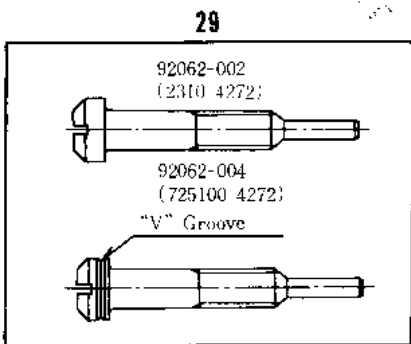
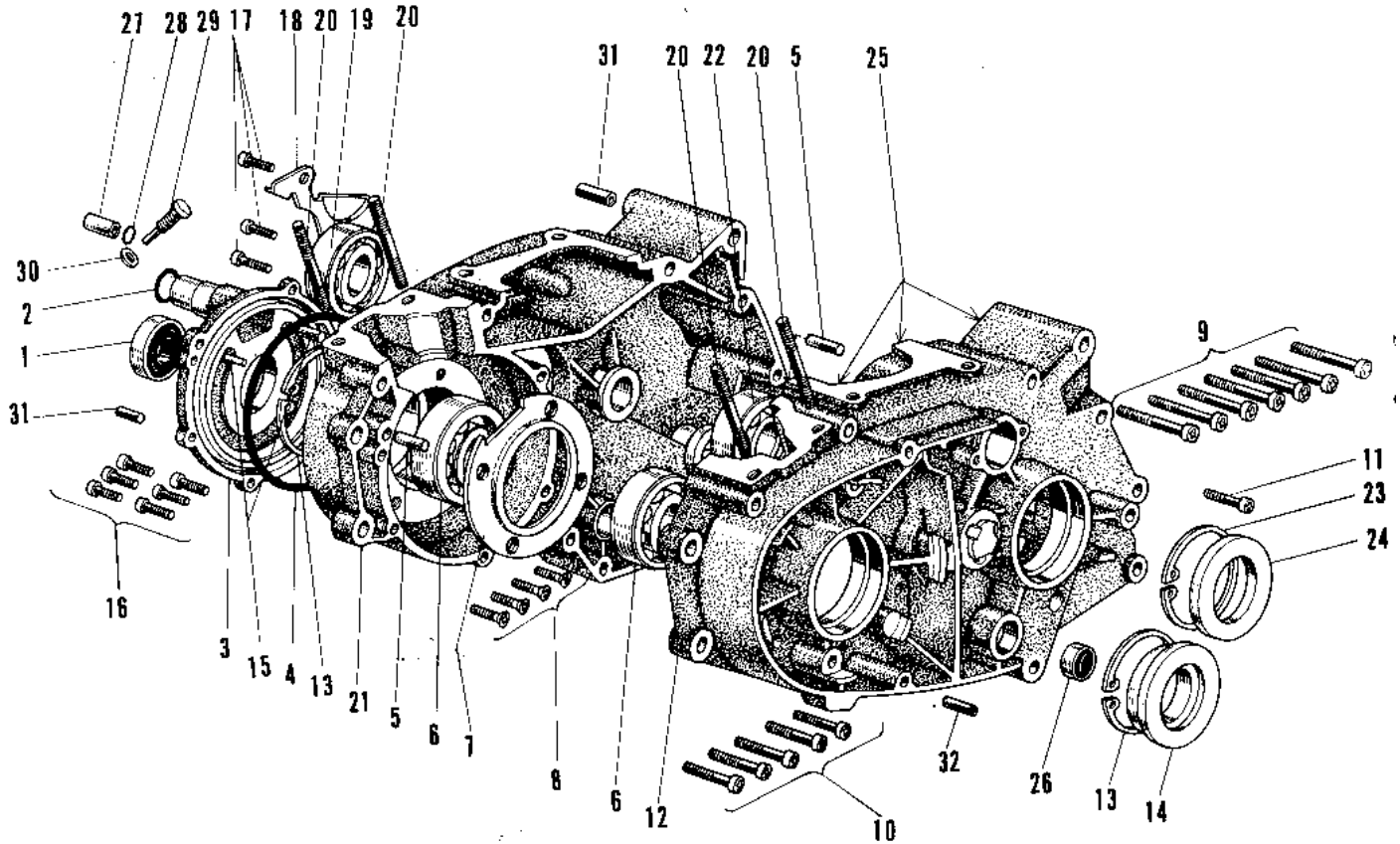


1967 Roadrunner PARTS DIAGRAM

CRANKCASE



1967 Roadrunner PARTS LIST

CRANKCASE

| ITEM NAME | PART NUMBER | QUANTITY |
|----------------------------------|-------------|----------|
| SEAL-OIL (Ref # 1) | 92049-1250 | 1 |
| "0" RING,25MM (Ref # 2) | 671B2525 | 1 |
| COVER ROTARY DISC VLV (Ref # 3) | 14019-002 | 1 |
| "0" RING,100MM (Ref # 4) | 92055-010 | 1 |
| PIN DOWEL 8X16 (Ref # 5) | 551A0816 | 2 |
| BEARING BALL #6304 (Ref # 6) | 601B6304 | 2 |
| HOLDER CRNKSHT BERG (Ref # 7) | 14014-002 | 1 |
| SCREW CNTSNK HD 6X16 (Ref # 8) | 221B0616 | 4 |
| SCREW PAN HEAD 6X55 (Ref # 9) | 220B0655 | 7 |
| SCREW PAN HEAD 6X40 (Ref # 10) | 220B0640 | 5 |
| SCREW PAN HEAD 6X25 (Ref # 11) | 220B0625 | 1 |
| CRANKCASE SET (Ref # 5,12,2) | 14001-035 | 1 |
| RING,SNAP,56.2M/M (Ref # 13) | 92033-1043 | 2 |
| OIL SEAL TB20529 (Ref # 14) | 92052-002 | 1 |
| PIN DOWEL 5X12 (Ref # 15) | 610A0512 | 2 |
| SCREW PAN HEAD 6X20 (Ref # 16) | 220B0620 | 6 |
| SCREW PAN HEAD 6X12 (Ref # 17) | 220B0612 | 3 |
| HOLDER TRNSMSSON BERG (Ref # 18) | 14014-003 | 1 |
| BEARING BALL #6303 (Ref # 19) | 601B6303 | 1 |
| STUD 8X20 (Ref # 20) | 172G0820 | (4 |
| STUD 8X22 (Ref # 20) | 172G0822 | 4 |
| BEARING BALL #6204 (Ref # 22) | 601B6204 | 1 |
| CIRCLIP,47M/M (Ref # 23) | 92033-1042 | 1 |
| OIL SEAL SC25476 (Ref # 24) | 92050-006 | 1 |
| LIQUID GASKET (Ref # 25) | 92104-002 | AR |
| SEAL-OIL (Ref # 26) | 92049-1249 | 1 |
| PIN DOWEL 8X16 (Ref # 27) | 92042-017 | 1 |
| "0" RING,8MM (Ref # 28) | 92055-029 | 1 |
| NOZZLE OIL INJECTION (Ref # 29) | 92062-002 | 1 |

1967 Roadrunner PARTS LIST

CRANKCASE

| ITEM NAME | PART NUMBER | QUANTITY |
|---------------------------------|-------------|----------|
| NOZZLE OIL INJECTION (Ref # 29) | 92062-004 | 1 |
| "0" RING,5MM (Ref # 30) | 92055-011 | 1 |
| DOWEL PIN (Ref # 31) | 92042-007 | 2 |