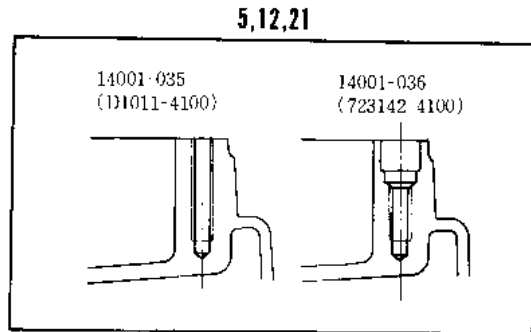
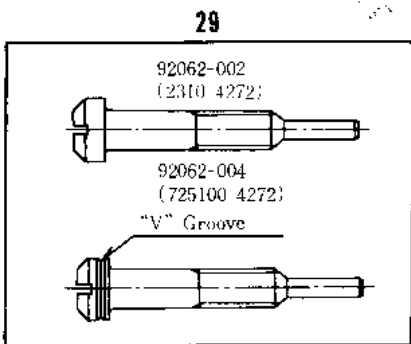
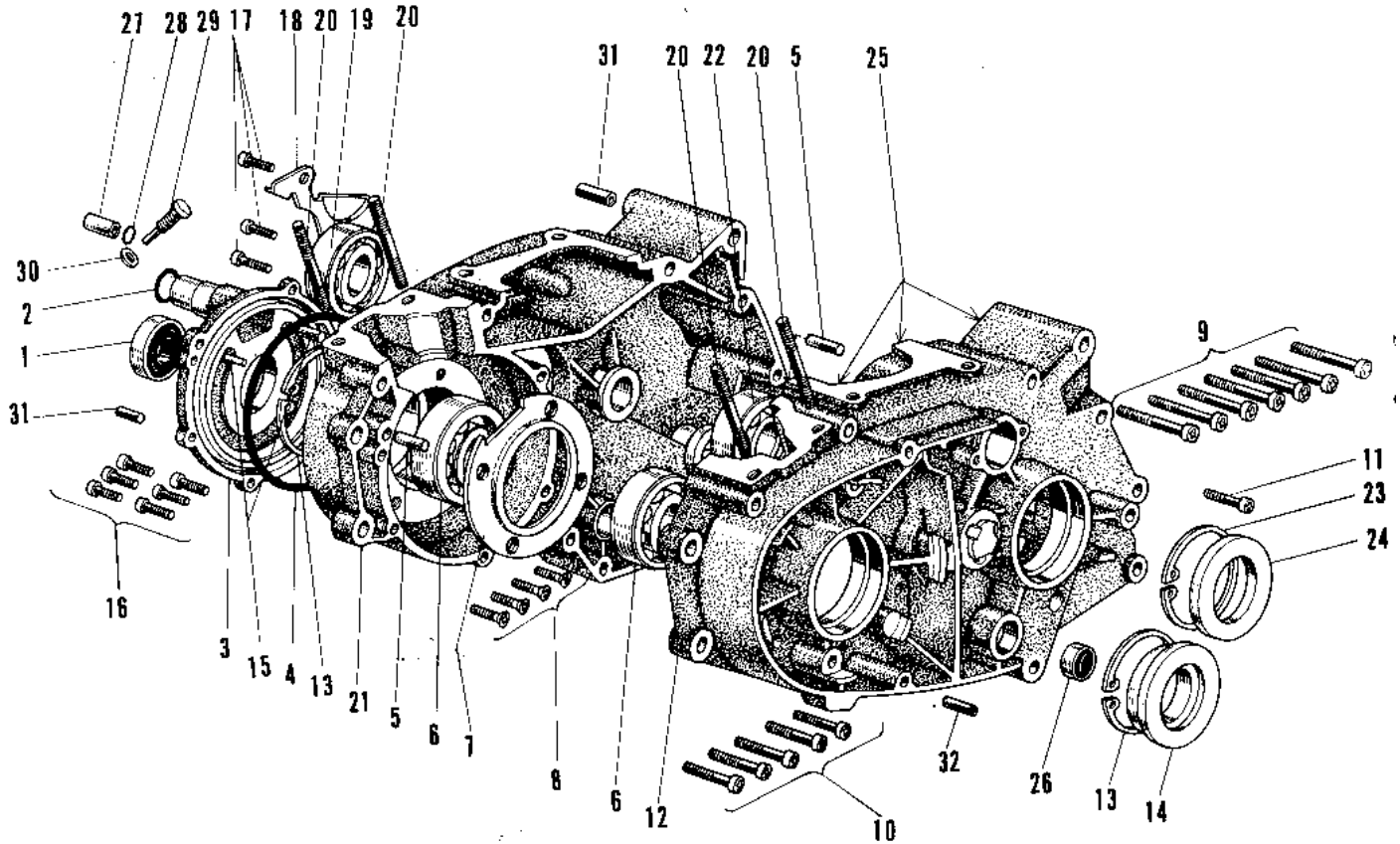


# 1967 Roadrunner PARTS DIAGRAM

## CRANKCASE



# 1967 Roadrunner PARTS LIST

## CRANKCASE

ITEM NAME	PART NUMBER	QUANTITY
SEAL-OIL (Ref # 1)	92049-1250	1
"0" RING,25MM (Ref # 2)	671B2525	1
COVER ROTARY DISC VLV (Ref # 3)	14019-002	1
"0" RING,100MM (Ref # 4)	92055-010	1
PIN DOWEL 8X16 (Ref # 5)	551A0816	2
BEARING BALL #6304 (Ref # 6)	601B6304	2
HOLDER CRNKSHT BERG (Ref # 7)	14014-002	1
SCREW CNTSNK HD 6X16 (Ref # 8)	221B0616	4
SCREW PAN HEAD 6X55 (Ref # 9)	220B0655	7
SCREW PAN HEAD 6X40 (Ref # 10)	220B0640	5
SCREW PAN HEAD 6X25 (Ref # 11)	220B0625	1
CRANKCASE SET (Ref # 5,12,2)	14001-035	1
RING,SNAP,56.2M/M (Ref # 13)	92033-1043	2
OIL SEAL TB20529 (Ref # 14)	92052-002	1
PIN DOWEL 5X12 (Ref # 15)	610A0512	2
SCREW PAN HEAD 6X20 (Ref # 16)	220B0620	6
SCREW PAN HEAD 6X12 (Ref # 17)	220B0612	3
HOLDER TRNSMSSON BERG (Ref # 18)	14014-003	1
BEARING BALL #6303 (Ref # 19)	601B6303	1
STUD 8X20 (Ref # 20)	172G0820	(4
STUD 8X22 (Ref # 20)	172G0822	4
BEARING BALL #6204 (Ref # 22)	601B6204	1
CIRCLIP,47M/M (Ref # 23)	92033-1042	1
OIL SEAL SC25476 (Ref # 24)	92050-006	1
LIQUID GASKET (Ref # 25)	92104-002	AR
SEAL-OIL (Ref # 26)	92049-1249	1
PIN DOWEL 8X16 (Ref # 27)	92042-017	1
"0" RING,8MM (Ref # 28)	92055-029	1
NOZZLE OIL INJECTION (Ref # 29)	92062-002	1

# 1967 Roadrunner PARTS LIST

## CRANKCASE

ITEM NAME	PART NUMBER	QUANTITY
NOZZLE OIL INJECTION (Ref # 29)	92062-004	1
"0" RING,5MM (Ref # 30)	92055-011	1
DOWEL PIN (Ref # 31)	92042-007	2