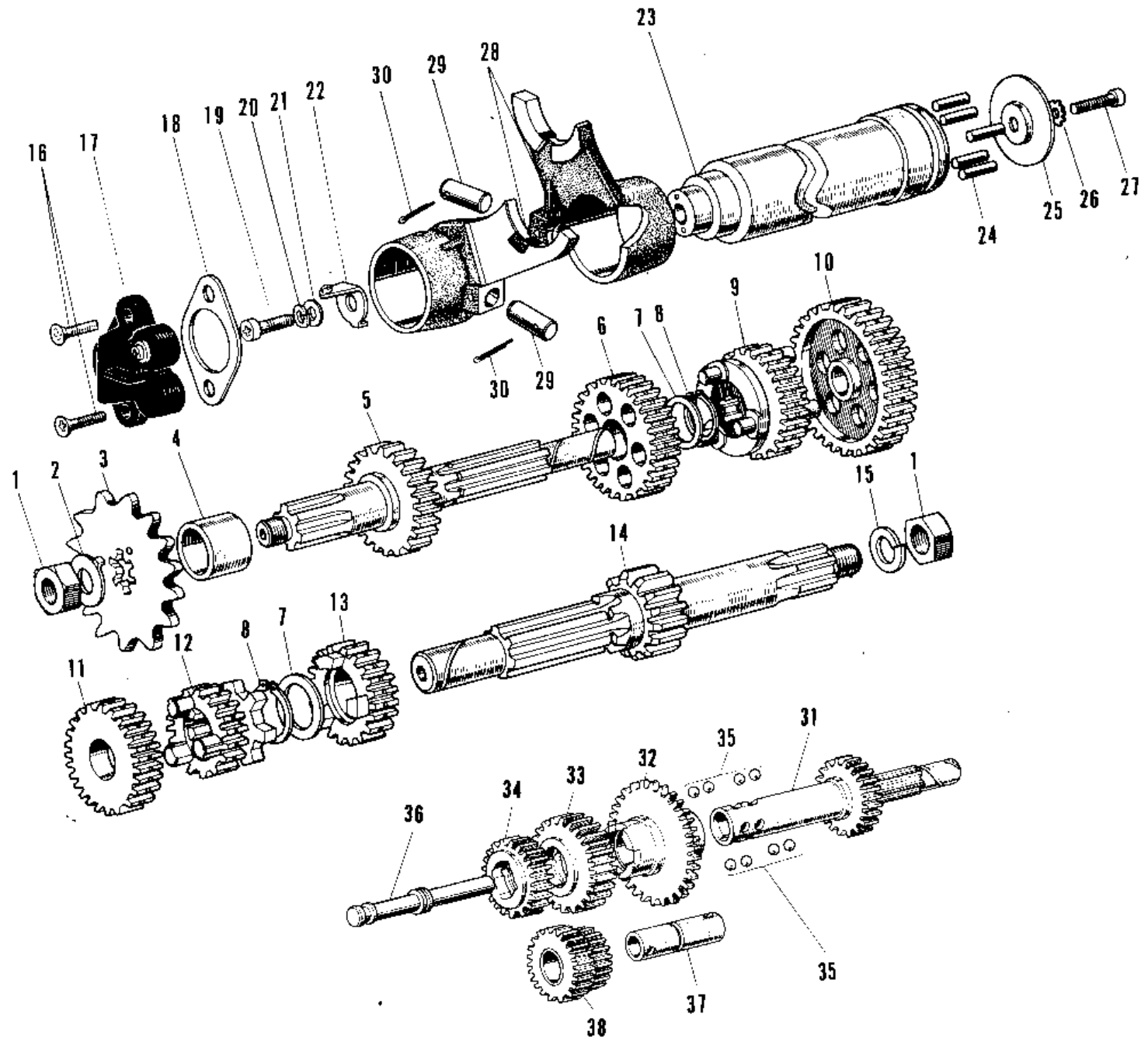


1969 Roadrunner PARTS DIAGRAM

TRANSMISSION/CHANGE DRUM



1969 Roadrunner PARTS LIST

TRANSMISSION/CHANGE DRUM

| ITEM NAME | PART NUMBER | QUANTITY |
|--------------------------------------|-------------|----------|
| NUT 12MM (Ref # 1) | 92015-006 | 2 |
| WASHER LOCK 12MM (Ref # 2) | 92024-002 | 1 |
| ENG SPROCKET ASSY 15 (Ref # 3) | 13249-004 | 1 |
| COLLAR DISTANCE (Ref # 4) | 92027-019 | 1 |
| SHAFT OUTPUT (Ref # 5) | 13128-008 | 1 |
| 2ND GEAR OUTPUT SHAFT (Ref # 6) | 13131-007 | 1 |
| WASHER 18MM (Ref # 7) | 92022-036 | 2 |
| CIRCLIP 17MM (Ref # 8) | 480J1700 | 2 |
| 3RD GEAR OUTPUT SHAFT (Ref # 9) | 13133-004 | 1 |
| LOW GEAR OUTPUT SHAFT (Ref # 10) | 13129-009 | 1 |
| TOP GEAR DRIVE SHAFT (Ref # 11) | 13136-011 | 1 |
| 2ND GEAR DRIVE SHAFT (Ref # 12) | 13130-006 | 1 |
| 3RD GEAR DRIVE SHAFT (Ref # 13) | 13132-005 | 1 |
| SHAFT DRIVE (Ref # 14) | 13127-007 | 1 |
| WASHER SPRING 12MM (Ref # 15) | 461F1200 | 1 |
| SCREW PAN HEAD 5X16 (Ref # 16) | 220B0516 | 2 |
| SCREW PAN HEAD 5X16 (Ref # 16) | 220B0516A | 2 |
| SWITCH,NEUTRAL (Ref # 17) | 13151-1001 | 1 |
| GASKET NEUTRAL SWITCH (Ref # 18) | 13146-002 | 1 |
| UNAVAILABLE IN PRICE BOOK (Ref # 19) | 92011-003 | 1 |
| WASHER SPRING 6MM (Ref # 20) | 461F0600 | 1 |
| WASHER PLAIN 6MM (Ref # 21) | 410B0600 | 1 |
| ROTOR,NEUTRAL INDICTR (Ref # 22) | 21007-1003 | 1 |
| DRUM GEAR CHANGE (Ref # 23) | 13141-021 | 1 |
| PIN GEAR CHANGE DRUM (Ref # 24) | 92043-004 | 5 |
| PLATE CHANGE DRUM PIN (Ref # 25) | 13142-003 | 1 |
| WASHER LOCK 6MM (Ref # 26) | 464H0600 | 1 |
| SCREW PAN HEAD 6X12 (Ref # 27) | 220B0612 | 1 |
| FORK SELECTOR (Ref # 28) | 13140-008 | 2 |

1969 Roadrunner PARTS LIST

TRANSMISSION/CHANGE DRUM

| ITEM NAME | PART NUMBER | QUANTITY |
|----------------------------------|-------------|----------|
| PIN SELECT FORK GUIDE (Ref # 29) | 92043-005 | 2 |
| PIN COTTER 3.0X20 (Ref # 30) | 550D3020 | 2 |