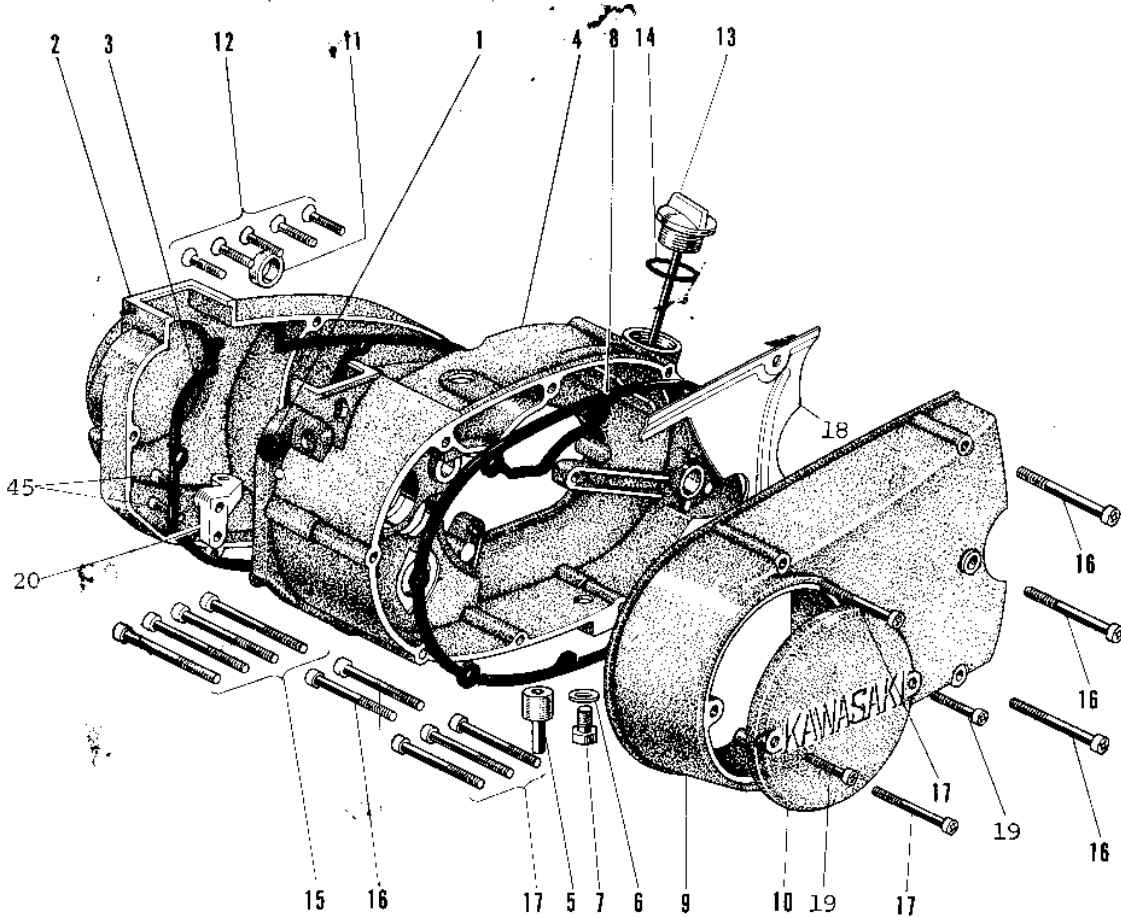
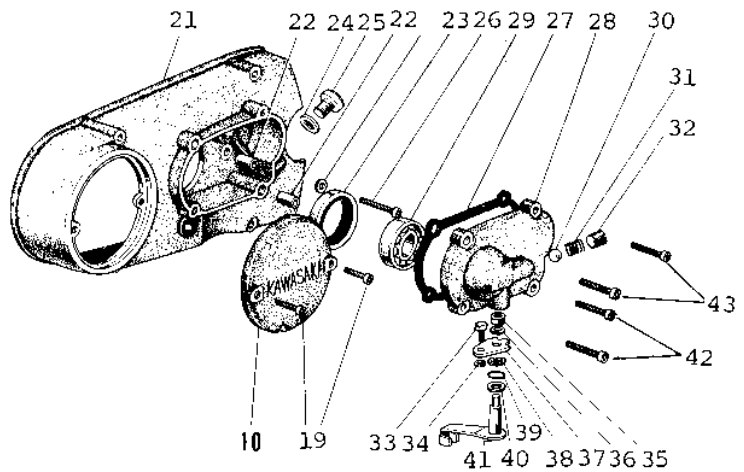
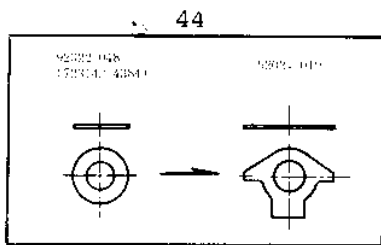
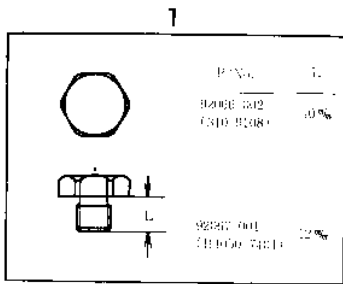


1968 Roadrunner PARTS DIAGRAM

ENGINE COVERS



FRONT ←



1968 Roadrunner PARTS LIST

ENGINE COVERS

ITEM NAME	PART NUMBER	QUANTITY
CAP CARB MOUNT HOLE (Ref # 1)	14039-001	1
COVER CARBURETOR (Ref # 2)	14030-002	1
GASKET CARBURETOR COV (Ref # 3)	14047-002	1
COVER R.H ENGINE (Ref # 4)	14032-012	1
PIPE FUEL OVERFLOW (Ref # 5)	16116-001	1
GASKET CHECK VALVE (Ref # 6)	92065-058	1
PLUG OIL DRAIN (Ref # 7)	92067-001	1
GASKET R.H ENGINE COV (Ref # 8)	14046-004	1
COVER L.H ENGINE (Ref # 9)	14031-005	1
COVER BREAKER POINT (Ref # 10)	14027-003	1
OIL SEAL SB16244 (Ref # 11)	92049-002	1
SCREW OVL CNTSNK 6X30 (Ref # 12)	222B0630	5
PLUG OIL FILLER (Ref # 13)	16115-002	1
"0" RING,20MM (Ref # 14)	670B2020	1
SCREW PAN HEAD 6X65 (Ref # 15)	220B0665	4
SCREW PAN HEAD 6X55 (Ref # 16)	220B0655	5
SCREW PAN HEAD 6X45 (Ref # 17)	220B0645	5
COVER DRV CHAIN BACK (Ref # 18)	14024-001	1
SCREW OVL CNTSNK 6X20 (Ref # 19)	222B0620	2
GUIDE OIL PUMP CABLE (Ref # 20)	14044-001	1
SCREW PAN HEAD 6X20 (Ref # 45)	220B0620	2