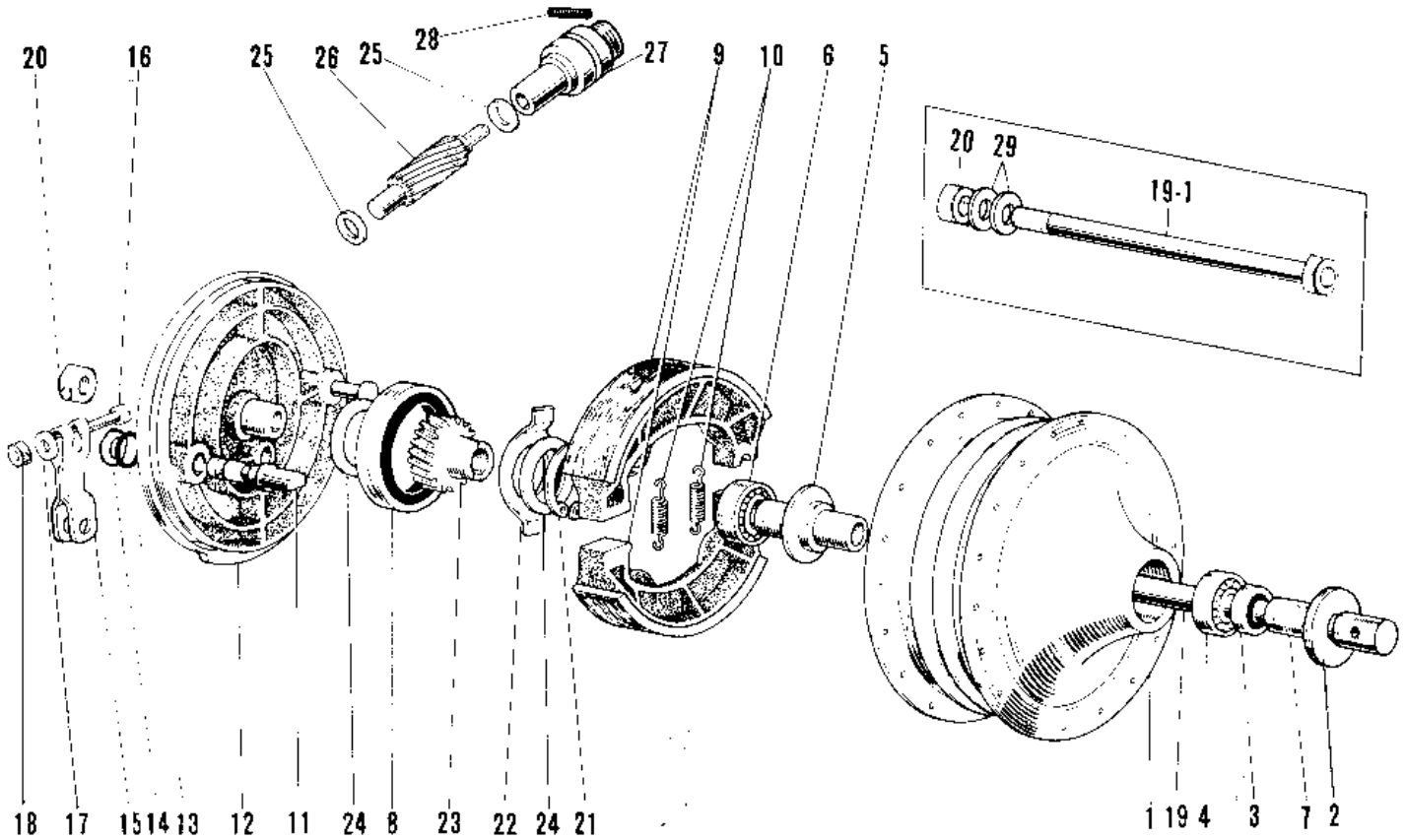


# 1968 Roadrunner PARTS DIAGRAM

## FRONT HUB/BRAKE



8  
21



# 1968 Roadrunner PARTS LIST

## FRONT HUB/BRAKE

ITEM NAME	PART NUMBER	QUANTITY
DRUM-ASSY,FR BRK (Ref # 1~6)	41034-009	1
DUST SHIELD FRNT DRUM (Ref # 2)	41042-002	1
OIL SEAL FRONT DRUM (Ref # 3)	92050-003	1
BEARING BALL #6200 (Ref # 4)	601B6200	1
SPACER FRONT HUB (Ref # 5)	41039-002	1
BEARING BALL #6300Z (Ref # 6)	601B6300Z	1
COLLAR FRONT HUB R.H (Ref # 7)	41069-002	1
PANEL-ASY,FR BRK (Ref # 8~18)	41035-008	1
PANEL-ASY,FR BRK BUFF (Ref # 21~28)	41035-071-80	1
OIL SEAL BRAKE PANEL (Ref # 8)	92050-002	1
SHOE-BRAKE (Ref # 9)	41048-1085	2
SPRING,BRAKE SHOE (Ref # 10)	92081-1766	2
CAM SHAFT-FRONT BRAKE (Ref # 11)	41050-018	1
"0" RING,11MM (Ref # 13)	92055-004	1
WASHER BRAKE CAM SHT (Ref # 14)	41052-001	1
LEVER FRONT BRAKE CAM (Ref # 15)	41053-005	1
BOLT-UPSET (Ref # 16)	112G0630	1
WASHER PLAIN 6MM (Ref # 17)	410B0600	1
NUT 6MM (Ref # 18)	311B0600	1
AXLE FRONT (Ref # 19)	41068-010	1
AXLE-FRONT (Ref # 19-1)	41068-039	1
NUT 10MM (Ref # 20)	42045-005	1
CIRCLIP 15MM (Ref # 21)	480J1500	1
RECIEVER SPEED GEAR (Ref # 22)	41064-002	1
GEAR SPEEDOMETER (Ref # 23)	41059-005	1
GEAR SPEEDOMETER (Ref # 23)	41059-006	1
WASHER SPEED GR THRST (Ref # 24)	41065-002	2
WASHER THRST SPD PINI (Ref # 25)	41063-001	2
PINION SPEEDOMETER (Ref # 26)	41060-004	1

# 1968 Roadrunner PARTS LIST

## FRONT HUB/BRAKE

ITEM NAME	PART NUMBER	QUANTITY
PINION SPEEDOMETER (Ref # 26)	41060-004	1
BUSH SPEEDMETER CABLE (Ref # 27)	41062-001	1
SCREW BUSHING SET (Ref # 28)	41070-001	1
WASHER PLAIN 10MM (Ref # 29)	411B1000	2